

**m<sup>o</sup>st**  
MODERN SÜT TEKNOLOJİLERİ



[www.mosttek.com](http://www.mosttek.com)



*engineer work*

# New World New Standards Our Six Key Standards



We are at your disposal in 11 countries with our sales and after-sales services.

Abdurrahman AYDIN, the CEO of Most Modern Süt Teknolojileri, believing the new standards of the New World as the key to expanding into the global market in our rapidly changing and evolving world and has established all of the company's aims accordingly.

## 1. Quality

Quality has been perceived in many different ways throughout history. We believe that quality is determined by whether or not the product meets the user's expectations.

As part of the design process, our R&D team takes into account the feedback obtained from end customers and aims to create user-friendly products.

## 2. Use Efficiency

Use efficiency is one of the most significant factors that our R&D team pays attention to during the design process. We design all of our equipment in a way that makes it easy to use and efficient for the users.



Abdurrahman Aydın  
General Manager

## 3. Smart Design

For all of our designs we create equipment that is futuristic, energy-friendly, and easy to use

## 4. Upgradeable

Whenever possible, we build our equipment with upgradeable technology allowing us to easily add new features that will be upgraded in the future to systems. In this approach, we make new technologies more accessible to our clients and lower their investment costs.

## 5. Speed

As a team, we act proactively in responding quickly to users and our investing customers. As we operate in a 24/7 industry, we strive to maximize customer satisfaction by developing quick solutions.

## 6. After Sales Support

24-hour technical support service is available for our customers in order to ensure that their equipment will continue to function properly for a long time. The technical and project support in after-sales service, material supply, as well as the expansion process of the company allows us to grow together with our customers.

# New World New Standart

# Let's Design Your Farm Together

As Most, we have the capability globally to provide comprehensive support for you to build and operate a successful modern dairy or breeding farm. The farms we have built in 11 countries prove this.

All breeding farms world wide have focused on a single goal: to provide the highest yield. That is why modern farms that are designed from the ground have been so successful.

Farms that produce meat and milk contain a lot of variables, therefore, standard solutions are not always the best. As most, we believe that every business should have its own truth and project. So far, we have developed farm-specific projects in 11 different countries, maximizing profitability for our customers.

Growth is an essential aspect of the project. It is important to plan the project by taking into account also the future condition of the business. Particularly infrastructure challenges that may develop as a result of growth must be solved during the project

# Table Of Contents

About Us	3
Planning	4
<b>MILKING SYSTEM</b>	
Herringbone Milking System	7
Rapid Exit Milking System	8
Rotary Milking System	9
Free Flow Cluster	10
Aktive Clean Washing System	10
Sheep - Goat Rapid Exit Milking System	11
Sepatator Gate	12
Cow Crowd Gate	12
Eco Flow 100 Electronic Control Unit	13
Eco Herd Management System	13-17
LD FD Pedometer	18
Eco Herd Sheep - Goat Management System	19
<b>MILK COOLING SYSTEMS</b>	
Cooling Methods	20
Packo Rem-Dx Series Cooling Tanks	21
Packo Lem-Dx Series Cooling Tanks	22
Packo Vm/Dx Series Cooling Tanks	23
Packo Ice Bank	24
Packo Chiller System	25
Packo Pre-Cooler	26



Most  
Karacabey  
Farm

## BARN COMFORT EQUIPMENT

Munere Scrapers	28
Manure Mixers	29
Manure Pumps	30
Manure Separator	31
Freestall	32
Headlock	33
Letto Animal Bed	34
Comfort Animal Bed	34
Puzzle Rubber Flooring	35
Cow Brush	35
Hoof Trimmer	36
Waterers	37-39
Calf Serisi Feed Machines	41-42
Calf Hutches	43

## CLIMATIZATION SYSTEMS

The Significance of Climatization	45-46
Climatization Equipment	47-52

## SKYLINE FEED MIXING TRAILERS

Skyline Models	56
Mono P1	60
Double P2	61
Double P3	62
Double P4	63
Stationary s	64-65
Spreader S	67
Spreader L	68

The perfect result of  
engineering and  
design;  
Most Milking Systems



# Most One

## Correct Milking

Most One mobile milking machine designed for small scaled operations to reach superior technologies. Designed by most engineers to correct milking User and animal friendly with high standards.

### MVP Vacuum Pump

Under favour of special designed vacuum pump, ensured the produce correct vacuum and longer life of pump with minimising friction of pump. Vacuum regulator stabilizes the vacuum produced in the pump and the udder vacuum is kept at the desired level.

### MP 240+ Milking Cluster

MP 240 cc Milking cluster, ensures that the milki milked from the udder is transferred to the milk bucket without stopping on the cap. With its 240 cc volume, it transfers the milk flow accurately even during the milking of highly productive animals. This prevents the udder vacuum from falling and ensures that the nozzles are milked at the correct vacuum.



## 4 Different Model

Model		One K1	One A1	One K2	One A2
cluster number	number	1	1	2	2
cluster capacity	CC	240	240	240	240
Pulsator number	number	1	1	2	2
Pulsator type		Pneumatic			
bucket type		Chrome	Aluminium	Chrome	Aluminium
bucket capacity	Lt	40	40	40	40
pump type		dry			
Pump capacity	Lt/Dak.	240 Lt/min.	240 Lt/min.	240 Lt/Dak.	240 Lt/min.
engine power	Kw	0,55			
tyre number	number	2+1	2+1	2+1	2+1
chassis type		Statik Boyalı			

# Most Herringbone Milking System

Most Herringbone Milking Systems are designed for today's high yielding animal. Being a true classic, it is the most preferred model in the world with a 32-Degree position. It is suitable for smaller and medium businesses. It can be installed from 2x3 up to 2x20



it provides optimum animal position. As soon as they get in, the cows simply take up the milking position. it makes it easier for the milker to see the udder as well as allows the access the udder. The dirt retention sheets allow the milker to work in a comfortable atmosphere.

Most Milking Systems allow you to milk cows correctly with state-of-the-art equipment. Most Milking System checks every stage of milking. it prioritizes udder health when extracting the milk away from the udder. it extracts the milk away from the udder by simulating a calf without luring the udder.

Most Health Systems extract milk as quickly as possible from the udder to minimise vacuum fluctuations while ensuring the milk transmission lines not exceed 40%. To achieve this, they select the equipment including a pre-collection tank, which is the first collection point of milk from the milking cluster,



A true classic: 32-Degree Herringbone Milking System

## Three Different Versions

### Active Plus

It is a computer-controlled milking system. The herd management system collects all animal data and reports it to the operator. Data from the milking parlour and the barn are entered into the herd management program. Standard chrome cabinets make them resistant to tough conditions. The entire milking process is electronically controlled. The entire system is being washed with the Active Clean automatic washing system. A programmable washing system allows you to set your own washing schedule.

### Active

It is an electronically controlled milking system. The entire milking process is electronically controlled. The entire system is being washed with the Active Clean automatic washing system. A programmable washing system allows you to set your own washing schedule.

### Style

It is a milking system with an electronic pulsator. It is the most basic model; it can be upgraded to a computer-controlled system at any time. The entire system is being washed with the Active Clean automatic washing system.



## Why Most

Most uses the latest technology in all of its systems. it offers the right equipment for today's businesses with its high-quality products. Technical service is available 24/7 after-sales for optimal use of the equipment.



# Most Index 90 Parallel Milking System

Our parallel systems are ergonomically designed to help you produce a high and rapid yield, achieve swift cow traffic, and get the most out of your milking equipment by optimizing its performance. In the end, the outcome is a milking that is fast, efficient, and high in yield.



Most Rapid Exit System ensures optimal animal position. It makes it easier for the milker to see the udder as well as allows access to the udder. All metal parts are coated with hot-dip galvanized. Thus, the strength of milking parlour was augmented against the unfavourable conditions. It provides maximum protection against detrimental animal actions for the milker and for milking equipment. The entire system is long-lasting and robust with sub-concrete installation. Index 90 Stall System maximizes the individual control. The individual stall system that is available for each animal, allows the cow to individually park in the milking parlour conveniently.



## Active Plus Index 90

It is a computer-controlled milking system. The herd management system collects all animal data and reports it to the operator. The entire milking process is electronically controlled, and maximum yield is attained. Active Clean automatic washing system is offered as standard. There are also solid chrome protection cabinets and a stand-by vacuum pump as standard.

## Original Twin Installation

Most Rapid Exit System also features twin installations as standard in the milking systems. As an example, the 2x15 Rapid Exit system is installed as 1x15 and 1x15. This system allows for a healthier milking process. It also means that the system backs up even within itself. This implies that in the event of a failure, one side will continue to operate normally.

Most Rapid Exit milking systems have a stand-by vacuum pump as standard. Whenever the vacuum system fails, the backup vacuum system is activated to keep the milking continues. The system is also supported by a redundant regulator system.

## Single Version High Standard



# Most Euro Comfort Rotary

The introduction of the Fullwood Packo Rotary milking system, installed in 1969, revolutionized the milking process for farmers throughout the world.

Today, almost 50 years later, our advanced Rotary milking system continues to offer a world-class milking solution for even the largest farms. It is ergonomically designed to provide optimum efficiency and performance without compromising milk quality or cow health. It will help you to refine your milking process. The outcome would be a more profitable overall dairy business with a high yield, safe milking atmosphere.

## Euro Comfort 90

The excellent structure of the Euro Comfort 90 lets the animals position themselves appropriately, which maximizes the convenience of milking. It allows the milker to reach the udder with its 90-degree

## Key Features

- Robust, modular platform design
- Rapid loading
- Excellent cluster offer
- Second round feature for slow-milking cows
- Clockwise or counterclockwise cow crowd gate option
- 32-100 installation size



# Free Flow Cluster



Dünyada meme yapısına göre tasarlanmış ilk sağım başlığı

Free Flow Cluster is the first milking cluster designed according to the cow's udder structure in the world. The distance between the front udders is closer and the distance between the rear udders is distant. This ensures that the milking cluster stays at the correct angle during the milking process.

It is designed for high-yielding cows with a 450 CC claw capacity.

The Free Flow Cluster is capable of milking animals that produce more than 7 litres of milk per minute.

through the panel wall inside the claw, the milk flows through the milk line by twisting after coming out the udder. This will prevent the milk from hitting back the udders. This also prevents milk foaming.

The flow of milk can be seen from every angle with its transparent structure. It is made of food-grade material.

The transparent claw inserts of cluster rubbers allow viewing the milk flow and unusual problems.



▼  
450 cc Claw Capacity

# Active Clean Automatic Washing System

Using the Aktive Clean automatic washing system ensures that your milking system is sanitized to a high quality.

The Aktive Clean washing system allows your machine to develop its own washing schedule through its programmable function. The quality of the water used for washing as well as its environmental conditions suggest that the washing program must be specific to each business. The programmable function of Aktive Clean ensures maximum cleaning. An automatic washing system is available as standard on all models. The closed-circuit system minimizes the impact on the washing water by external factors. With a chrome tub, it is long-lasting and hygienic. Its automatic detergent intake feature ensures that washing is completed without any errors.



## Perfect Washing

# Most Index 90 Paralel Sheep - Goat Milking

▶ Most index 90 maximizes the efficiency of sheep and goat milking with its rapid exit system, ergonomic design and automatic feeding system. With the WACH ID a 100% identification system, you can fully use your herd management program.

The milking parlour is equipped with rapid exit stalls and an automatic feeding system to ensure that the animals are milked in comfort. Galvanized coating stalls, as well as chrome

automatic feeders, can serve far many years. Most Milking Systems allow you to milk cows correctly with state-of-the-art equipment. Most Milking System checks every stage of milking. it prioritizes udder health when extracting the milk away from the udder. it extracts the milk away from the udder without tiring



## Three Different Versions

### Active Plus

it is a computer-controlled milking system. The herd management system collects all animal data and reports it to the operator. Standard chrome cabinets make them resistant to tough conditions. The entire milking process is electronically controlled. The entire system is being washed with the Aktive Clean automatic washing system. A programmable washing system allows you to set your own washing schedule.

### Active

it is an electronically controlled milking system. The entire milking process is electronically controlled. Milking clusters are automatically removed as soon as the milk supply is depleted. The entire system is being washed with the Aktive Clean automatic washing system. A programmable washing system allows you to set your own washing schedule.

### Style

it is a milking system with an electronic pulsator. it is the most basic model; it can be upgraded to a computer-controlled system at any time. The entire system is being washed with the Aktive Clean automatic washing system.



## Why Most

Most uses the latest technology in all of its systems. it offers the right equipment for today's businesses with its high-quality products. Technical service is available 24/7 after-sales for optimal use of the equipment.



# Most Separator Gate

Most Separator Gate allows the animals to be smoothly separated either individually or in groups.

It works by being integrated with the ENGS herd management program. It isolates the animals we want to separate from the herd, individually and in groups, based on the data collected from the milking parlour. Its simple design and ergonomic gate allow accomplishing the separation process without causing any harm to any of the animals being separated. As a first step, the method isolates the animal that will be separated from the other animals at its rear, preventing any grouping and harming other animals. The separated animal is isolated at the desired area with the separation gate. As soon as the separated animal exits through the separation gate, the passage becomes clear. It has a hot-dip galvanized body and a strong frame. It has automatic and manual separation options. During milking, the separating process can be carried out under the supervision of the milker in the milking parlour. It can be simply installed anywhere on a concrete surface.



# Most Cow Crowd Gate

Most Cow Crowd Gate enables the animal to be quickly directed to milking parlour.

Cow Crowd Gate speeds up the cow to access to milking system. It can also be used as a group separator. Its strong frame structure ensures long-lasting. All parts are hot-dip galvanized coated.

It speeds up the feeding of the milking system by preventing animals from wandering around in the holding area, especially in large herds. This allows you to milk more animals per unit of time.

In case of an emergency, it has a manually operated door.

It is designed according to the dimensions of your holding area.



## Contents

- The main drive system goes back and forth with two parallel electric motors.
- The gate system is controlled by the hydraulic unit through the up-down piston.
- Control system 24 VDC power circuit 3x400 VAC 50 Hz
- Total hydraulic motor power 4 kw
- Total walking motors 2x0,75 Kw
- A remote cable ducts are available
- All construction is hot-dip galvanized

# Eco Flow 100 Elektronik Control Unit

▶ ECO FLOW 100 Electronic control unit enables you to milk correctly through its many features. It's an innovative electronic control unit that displays data from a milk meter and allows you to define your own milking standards using variable parameter setting.



This unit measures milk yield, milk flow rates, milking time, electrical conductivity values of milk (early mastitis diagnosis) during milking of the animal and transmits the values to the computer system through the internet data line. This information is stored by the software in the information store, reviewed and assessed at any time. The lack of moving parts to prevent the flow of milk in the milk measurement

## Main Features

- Milk Yield
- Milk Flow Rate
- Milk and Water Temperature (Washing Water)
- Milking Time
- Mastitis Value (Measures the Electrical Conductivity)

## Milking Control

- Milk
- Cluster Extractor
- Pulsation Control
- SMilk Flow Control
- Stimulation (Massage Phase)
- Taking the Final Milk
- Kick-off

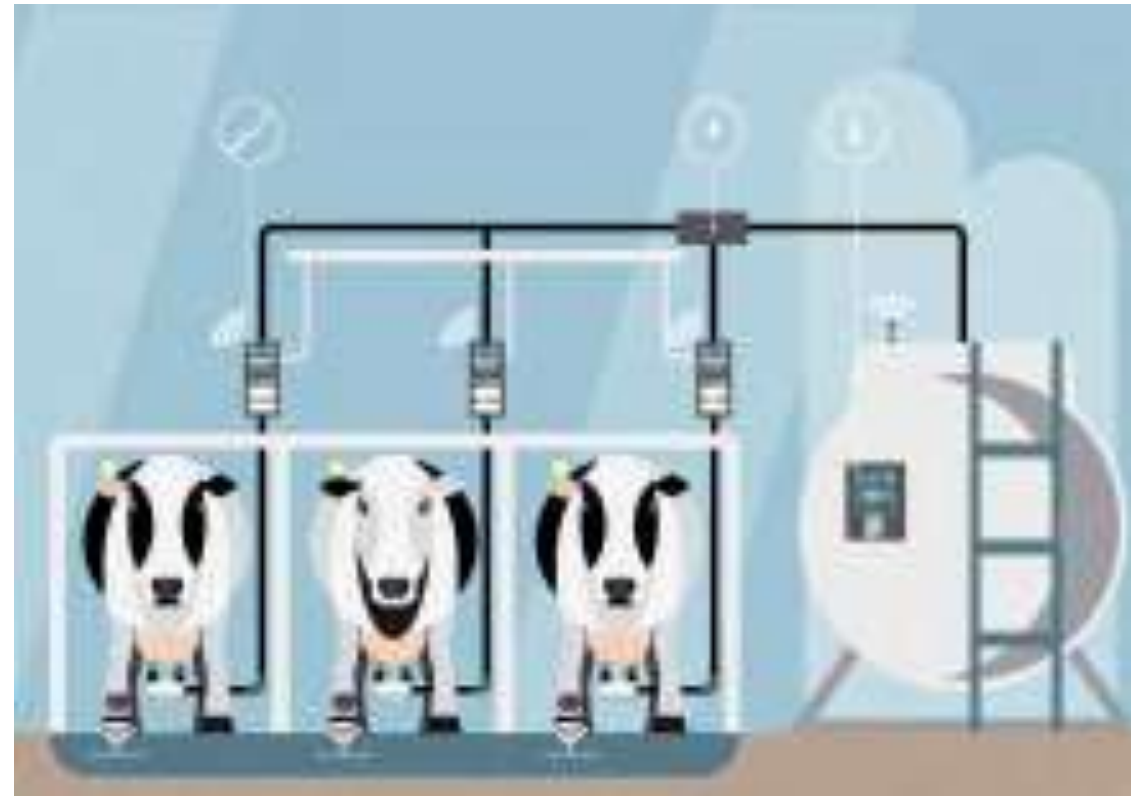
## Technical Features

- Free Flow Milk Meter Design (Maintenance Free)
- Ability to Measure a Small Amount Of Milk
- Independent and Automatic Identification
- Full System Control From Any Screen



# THE RIGHT DECISION FOR YOUR HERD REAL-TIME TRACKING

# ECO HERD



**ENGS** Systems  
Innovative Herd Management Solutions

# WORD'S BEST TRACKING SYSTEM **ECO HERD**

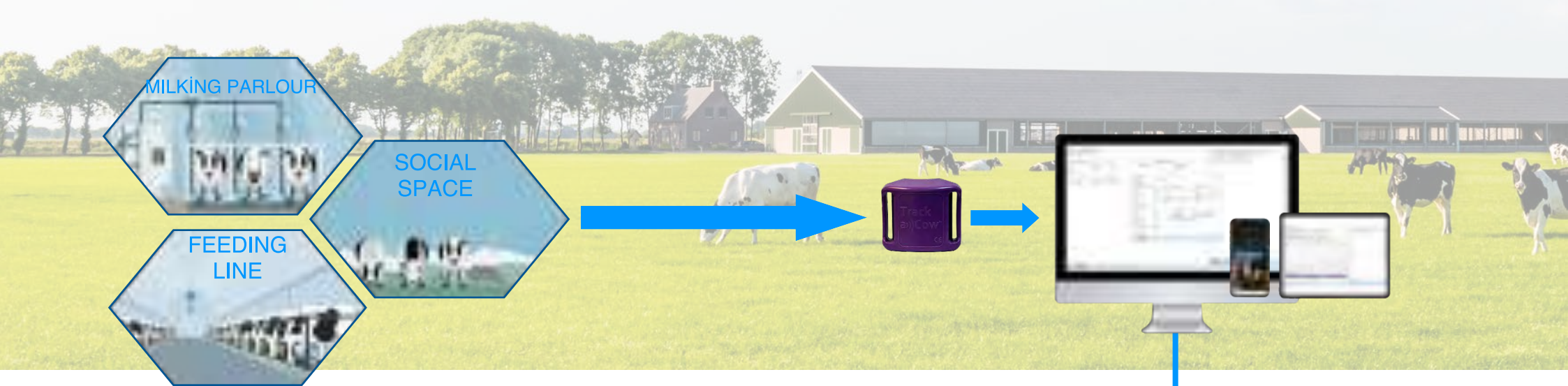
## Herd Management System

The ENGS Eco Herd Pack management system allows you to take the right decision at the right time by monitoring every movement of you cows. With a remote monitoring system, you can access all your business data from anywhere



it all starts with a step...





We track the movements of the cows around every area all day with **Track a))) Cow** and transfer them into the Eco Herd herd management system. And that allows us to capture the non-routine movements of animals in time. Catching events timely allows us to boost the animal yield and increase our operating profit.

### Milking Parlour Tracking

The stall antenna system gathers data, such as the amount of milk in the milking parlour, mastitis data, milking time and transfers data to a herd management system, to get 100% accurate data without any data confusion.

### Feeding Line Tracking

The cows' feeding visit time and numbers are collected in real-time (every 6 min.) and sent to the herd management system.

### Social Space Tracking

All cows' movements are tracked when they spend time in the barn and the walking area and socialize, the number of their steps (followed in a plus and minus direction), standing time, number of lies, and sleeping time are collected in real-time (every 6 min.) and sent to the herd management system.

### Unique Identification

Provides 100% identification with a stall antenna system applied to all milking models.

### The Most Advanced Rutting Detection

The real-time tracking system detects exactly what time your cows go into a rut and gives you as much information as when you need to fertilize. This increases the pregnancy rate in your business.

### Health Monitoring

Eco Herd herd management system tracks all the data of the cows and presents them to the operator in reports by blending any possible changes.

### Calving Warning

The system sends out a calving warning so you can keep a watch on your animals. So, you can avoid calf loss.

### Feeding Behavior Tracking

Feeding Tracking helps us assess a lot of data about animals. Real-time feeding tracking allows us to learn about the feeding time of animals and the number of feed visits.

### Group Welfare

Ensuring the individual comfort of animals depends on the group comfort and the tranquillity in which they are in. The system tracks group data and reports changes.

### Heat Stress Monitoring

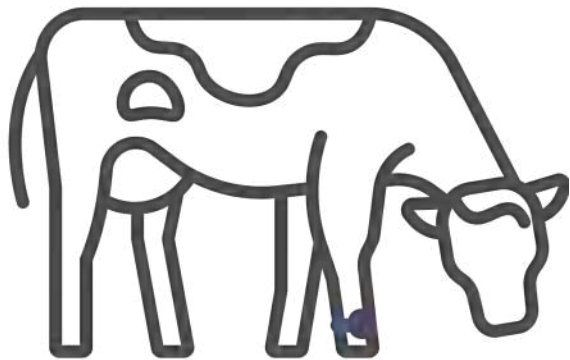
The heat stresses of the animals are measured by monitoring their waterer visits with a Waterer Tracking System.

### Real Time 24/7 Data Transfer

Real-time data transfer with data transfer every 6 minutes. In this way, the data that appears on the screen is instant.



# Real Time 7/24 Data Transfer



You can see all data of your cows on your screen in real-time with [Track a\)\)\) Cow.](#)

## The World's Best Pregnancy



Track a))) Cow utilizes real-time tracking based on a wide variety of parameters that are much more advanced. Monitoring and analysis of the activity models of the cow provide optimum accuracy in the time and duration of rutting. In consequence, Track a))) Cow system correctly describes optimal fertilization time by significantly improving conception and pregnancy rates.

The cow's ability to express natural oestrogen rutting behaviour can be inhibited by many variables such as the cow's health condition, production performance, and environment. It is known that high yield, limping, metabolic disorders and any other health problems, heat stress, social stress, overcrowding and type of shelter directly affect the cow's ability to exhibit rutting behaviour. Track a))) Cow advanced data analysis provides highly precise rutting detection even under these limitations.

**Low Detection:** it is important to monitor the activity of a pregnant cow to ensure that the cow continues to conceive. Pregnancy loss can be detected at any stage of pregnancy, which can help you avoid substantial financial losses.

**Cystic Activity Detection:** One of the advantages of monitoring behaviour continuously is the system's ability to identify the cows exhibiting irregular rutting cycles. This irregular rutting may indicate cystic ovum. This can be a major cause of infertility. Early detection of this condition minimizes the number of days cows are unable to engage and reduces the cost of ineffective fertilization.



# Feeding Behavior Tracking

The feeding behaviour is one of the most important indicators that provides valuable information about a cow's health and wellbeing, as well as its effectiveness as a productive animal.

In cow life, any event from limping to metabolic disorders or pneumonia immediately affect their feeding patterns. Monitoring and analyzing the cow's feeding time and visit number by taking into account nursing status as well as group and herd data provides a yield index calculated by improving feed consumption management. Monitoring of periparturient cows instantly identifies the negative postnatal energy balance of the cow and metabolic disorders developed by high care and educational needs. Feed behaviour monitoring system enables real-time decision making, problem-solving, and the avoidance of production losses.

## Benefits

- Monitoring of periparturient cow and detection of metabolic disorder
- Mastitis detection
- Lamination detection
- Early detection of BRD
- Early detection of gastrointestinal disorders
- Social stress detection
- Optimization of feeding management and feed quality assessment

The system's unique approach to monitoring bait behavior provides an early warning, saving critical time.



all the information at  
the your fingertips

# Track a))) Cow

The World's best tracking  
pedometer



Perfect Identification



Long Battery Life



Real Time 24/7



Detection Of Sick  
Cows



Excellent Rutting  
Detection



Birth Alert



Ergonomic Robust  
Design



Group Reports



Mobil Application



Track a))) Cow ittracks all  
the movements of your  
cows 24/7

With Track a))) Cow, you can access all the features with a  
single pedometer.

# ECO HERD

Sheep - Goat



The EcoHerd herd management system provides high-resolution monitoring and management of incidents as well as collection and analysis of health and health-related data.

## A revolution in identification WATCH ID



Identification of sheep and goats using conventional antenna systems can lead to significant mistakes. ENGS's innovative Watch 1D system is a unique and reliable animal identification system. A special watch fitted to the operator's wrists has an identification unit. The Watch 1D instantly identifies the animal's stall position and identity by plugging the cluster into the animal for milking. It delivers the data to Eco Herd, ensuring the right data is generated.



24/7 Fast Technical  
Servis

# Packo Cooling Systems

The Fullwood Packo group has been designing and producing milk-cooling tanks since 1960. In addition to conventional cooling and pipe cooling, the Fullwood Packo company has a wide selection of products to offer every dairy business suitable solutions

## Fully Customizable Solutions

All cooling systems manufactured by Fullwood Packo may be fully customized to address the unique demands of your dairy since we know that effective milk cooling and storage are vital for maintaining milk quality.

Fullwood Packo produces ideal solutions for cooling and storing your milk as safely and efficiently as possible, whether you are a family company, a large corporation, or a milk collecting centre.

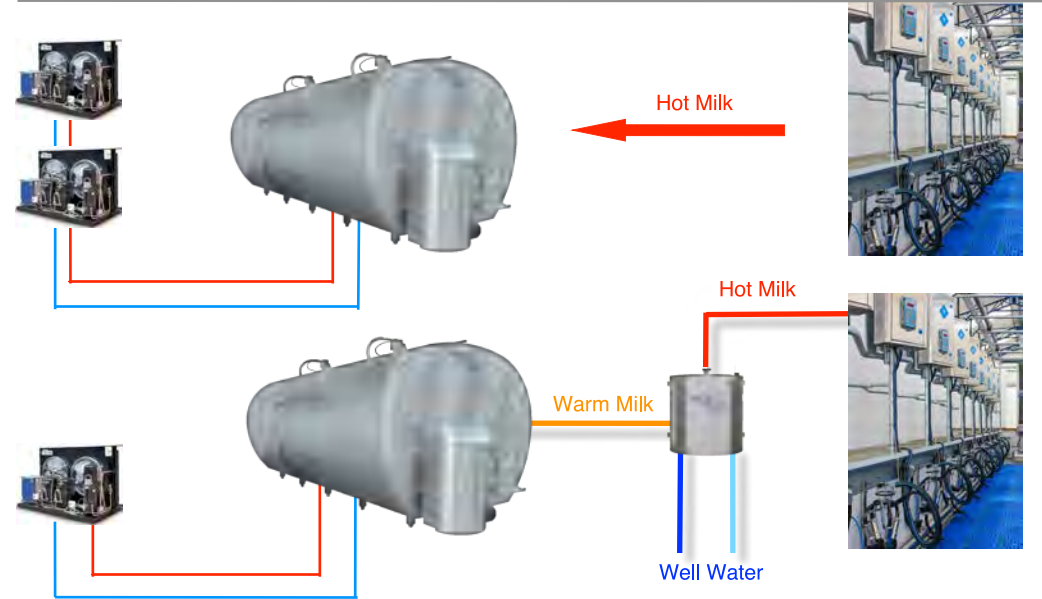
All our solutions are designed to provide maximum hygiene for your milk as well as to generate the highest level of income. Using Fullwood

Packo cooling tanks, you can be confident that you will be able to accomplish every quality control with figures that you will be

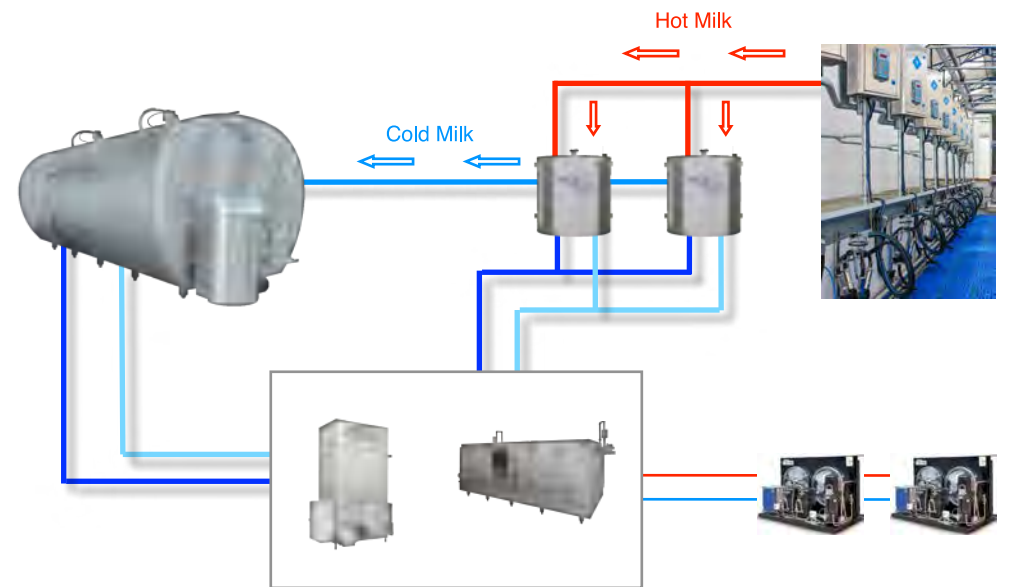


# Milk Cooling Methods

## Classic Method



## Rapid Cooling Method



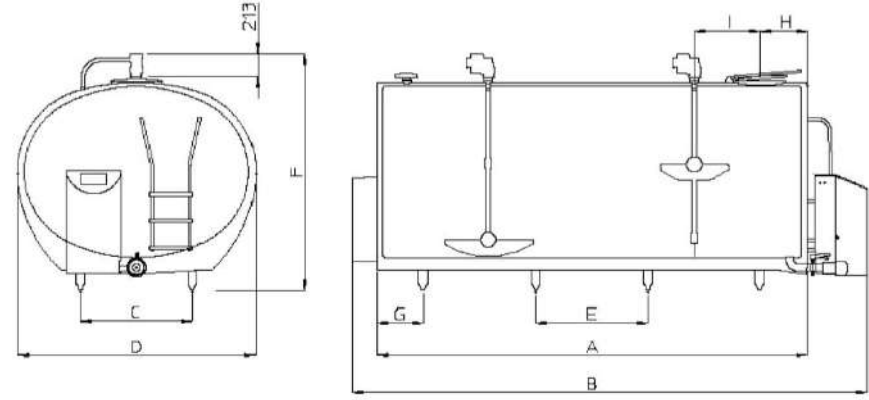
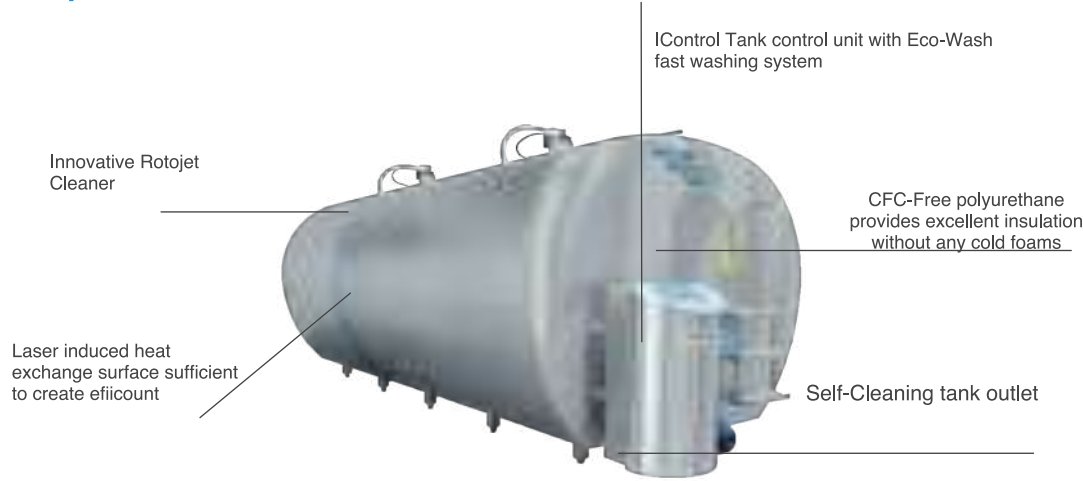
# PACKO

## REM/DX 1050 - 15000 L

## RS/DX 5000 - 8000 L



## Technical Data



### Body

- Fully stainless steel construction 18/10 - AISI 304
- It is insulated with polyurethane for excellent insulation and the extra strength of the tank.
- Horizontal tank with laser welded multi-injection evaporator, optimal heat exchange due to free circulation and good mixing of milk.
- Rem / Dx 2100 den büyük modellerde Ø 80 mm tank çıkışı, Ø 80 mm'lik ter-tikli valfli kendiliğinden temizlenen çıkış ve Ø 80/60 veya 50 mm'lik bir kamyon bağlantısı
- Steel ladder

### Cooling and Washing

- The innovative Icontrol tank unit ensures milk quality
- Cooling, mixing, cleaning and full automatic recording of potential alarms
- Integrated for less water use, environmentally friendly rapid cleaning and time-saving washing system (savings of up to 50%)
- Two automatic dosage pumps for detergent
- Dynamic Fullwood Packo-ROTOJET® cleaning system, with spray balls inside the mixing paddle
- Vertically mounted stainless steel cleaning pump without risk of freezing.

### Options

- Robotic milking optioni
- Second relief valve
- Feedback via Sms
- Pacap dijital level meter

Model	Max. cap.	A	B	C	D	E	F	G	H	I	Legs	Weight Kg
REMDX	litre	mm	mm	mm	mm	mm	mm	mm	mm	mm		
3100	3186	2722	3505	750	1660	1440	1887-1932	416	432	704	4	500
3800	3944	2504	3289	934	1800	1690	1869-1914	407	432	820	4	590
4400	4562	2874	3659	934	1800	1050	1876-1921	387	432	1005	4	667
5000	5128	3214	3999	934	1800	1210	1883-1928	397	432	1175	4	730
RS 5000	5159	2380	3165	1050	2100	1580	2086-2130	400	432	758	4	710
6150	6321	2894	3679	1050	2100	1050	2096-2141	397	432	1015	6	854
7200	7369	3354	4139	1050	2100	1210	2105-2150	467	432	1245	6	901
RS 8000	8199	3140	3925	1050	2233	870	2248-2293	265	432	1138	8	1065
8200	8406	3809	4594	1050	2100	1050	2114-2159	330	432	556	8	1090
9000	9566	3681	4466	1050	2233	1050	2259-2303	266	432	531	8	1155
10000	10482	4011	4796	1050	2233	1050	2265-2310	431	432	611	8	1229
12000	12602	4810	5595	1050	2233	1050	2281-2326	305	432	813	10	1450
15000	15782	5986	6771	1050	2233	1050	2305-2349	368	432	1113	12	1800

All above values are for IControl Eco-Wash control unit and standard self-cleaning outlet (NW50, NW65 or NW80) tanks.

### REM/DX

2,4,6 Milking and robotic milking options

### RS/DX

4 ve 6 Milking and robotic milking options

REM/DX 1050-5000 - RS/DX 5000

One built-in ROTOJET spray balls and one mixer

REM/DX 6150-7200 - RS/DX 8000

Two built-in ROTOJET spray balls and one mixer

REM/DX 8200-1500

Four built-in ROTOJET spray balls and two mixer

# PACKO

## LEM/DX 18000 - 31600 L

## LS/DX 10250 - 36500 L



### Body

- Fully stainless steel construction 18/10 - AISI 304
- It is insulated with polyurethane for excellent insulation and the extra strength of the tank.
- Horizontal tank with laser welded multi-injection evaporator, optimal heat exchange due to free circulation and good mixing of milk
- For models large than Rem/Dx 2100, self-cleaning outlet with Q80 mm tank outlet and Q80 mm trigger valve and a truck connection of Q80/60 or 50 mm
- All models have stainless steel ladders.

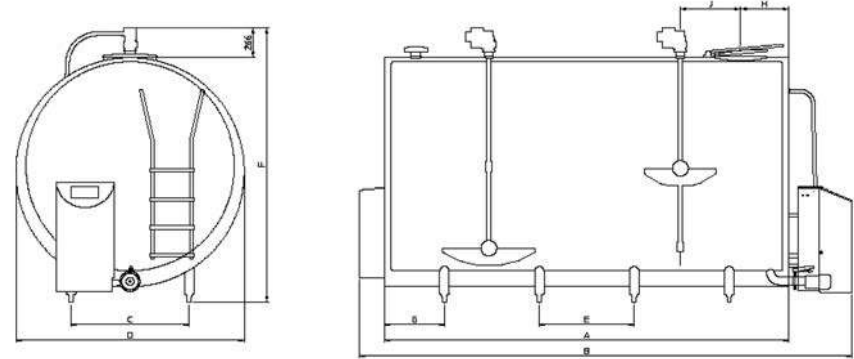
### Cooling and Washing

- The innovative Icontrol tank unit ensures milk quality
- Cooling, mixing, cleaning and full automatic recording of potential alarms
- Integrated for less water use, environmentally friendly rapid cleaning and time-saving washing system (savings of up to 50%)
- Two automatic dosage pumps for detergent
- Dynamic Fullwood Packo-ROTOJET® cleaning system, with spray balls inside the mixing paddle
- Vertically mounted stainless steel cleaning pump without risk of freezing.

### Opsiyonlar

- Robotic milking option
- Oculus tank watch
- Bottom filling
- Second relief valve
- Feedback via sms
- Pacap dijital level meter
- Fullwood packo peripheral tronic provides additional energy savings during cooling by combining with an electronic injection valve.

## Technical Data



### LEM/DX

Model	Max. kap. litre	A mm	B mm	C mm	D mm	E mm	F mm	G mm	H mm	I mm	Legs and Feet	Weight Kg
REM DX												
18000	18578	632	708	105	213	845	2694-3034	627	432	119	14 / 2	1795
22000	22522	761	839	105	213	845	2724-3064	430	432	893	18 / 3	2245
25500	26450	917	995	105	213	845	2756-3096	787	432	119	20 / 3	2550
31600	32915	110	118	105	213	845	2794-3134	472	433	147	26 / 3	3200

### LS/DX

Model	Max. kap. litre	A mm	B mm	C mm	D mm	E mm	F mm	G mm	H mm	I mm	Legs and Feet	Weight Kg
REM DX												
10250	10507	365	4416	105	213	845	2640-2980	562	432	590	8 / 2	1180
13100	13384	330	4094	105	250	820	3010-3350	421	421	123	8 / 1	1325
14500	15152	363	4429	105	250	714	3037-3377	391	421	139	10 / 1	1421
15500	15879	381	4605	105	250	804	3041-3381	299	421	586	10 / 2	1562
17650	18055	442	5218	105	250	714	3051-3391	427	421	694	12 / 2	1680
21500	22547	538	6162	105	250	750	3090-3430	443	421	974	14 / 2	2078
25500	26025	637	7168	105	250	750	3090-3430	563	421	166	16 / 2	2453
30450	31064	767	8299	105	250	813	3116-3456	503	421	878	18 / 3	2925
36500	36765	890	9701	105	250	750	3141-3481	328	421	111	824 / 3	3502

All above values are for IControl Eco-Wash control unit and standard self-cleaning outlet (NW50, NW65 or NW80) tanks.

#### REM/DX

2,4,6 Milking and robotic milking options

#### RS/DX

4 ve 6 Milking and robotic milking options

REM/DX 1050-5000 - RS/DX 5000

One built-in ROTOJET spray balls and one mixer

REM/DX 6150-7200 - RS/DX 8000

Two built-in ROTOJET spray balls and one mixer

REM/DX 8200-1500

Four built-in ROTOJET spray balls and two mixer

# PACKO VM/DX 12000 - 50000 L



The insulated hoop allows you to control the entire system, from the milk room to the tank's control as well as the washing system

IControl Tank control unit with Eco-Wash fast washing system



CFC-Free polyurethane provides excellent insulation without any cold foams

Sağım sistemine ve sagma sayısına uyarlanmış taban / şase üzerinde etkili lazer kaynaklı ısı değişim yüzeyi

Hijyenik örnekleme valfi ile manway

Bağlantılı Vanalar ile alttan doldurma

## Body

- Tamamen paslanmaz çelik konstrüksiyon 18/10 - AISI 304
- Mükemmel bir yalıtım ve tankın ekstra mukavemeti için poliüretan ile yalıtılmıştır.
- Lazer kaynaklı çoklu enjeksiyonlu epeparatör ile yatay tank, serbest sirkülasyon ve sütün iyi bir şekilde karışması sayesinde optimal ısı değişimi
- Rem / Dx 2100 den büyük modellerde Ø 80 mm tank çıkışı, Ø 80 mm'lik ter-tikli valfli kendiliğinden temizlenen çıkış ve Ø 80/60 veya 50 mm'lik bir kamyon bağlantısı
- Tüm modellerde paslanmaz çelik merdiven vardır.

## Cooling and Washing

- The innovative Icontrol tank unit ensures milk quality
- Cooling, mixing, cleaning and full automatic recording of potential alarms
- Integrated for less water use, environmentally friendly rapid cleaning and time-saving washing system (savings of up to 50%)
- Two automatic dosage pumps for detergent
- Dynamic Fullwood Packo-ROTOJET® cleaning system, with spray balls inside the mixing paddle
- Vertically mounted stainless steel cleaning pump without risk of freezing.

## Options

- Robotic milking option
- Oculus tank watch
- Bottom filling
- Second relief valve
- Feedback via sms
- Pacap dijital level meter
- Fullwood packo peripheral tronic provides additional energy savings during cooling by combining with an electronic injection valve.

## Technical Data



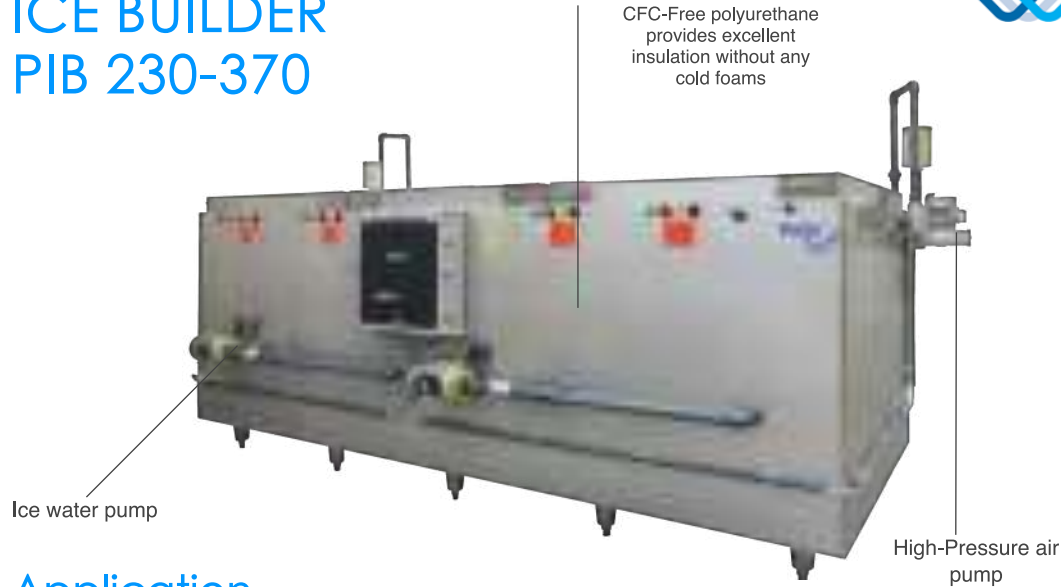
Model	Max. kap.	A	B	C	Motor	Gücü
VMDX	litre	mm	mm	mm		
12000	13117	2315	2730	3040		
15000	16618	2845	3385	3695		
18000	19082	3220	3755	4065		
21000	22153	3685	4220	4530		
25000	26282	4310	4845	5155		
30000	31480	5095	5630	5940		
35000	36599	5865	6410	6720		
40000		6647	7192	7502		
50000		8202	8747	9057		

VEM/DX

4,6 Milking (with pre-cooling condition) and robotic milking option



# PACKO ICE BUILDER PIB 230-370



## Application

The milk is cooled in a very short time to maintain its quality. It has been used for many years in dairies and collection centres. A lot of ice can be stored in a small area. Ice water can be produced at zero degrees due to its massive ice reserve. In combination with robotic milk health, there is no risk of anti-frost, even in the smallest amounts of milk.

### Body

- Fully stainless steel construction 18/10 - AISI 304
- It is insulated with polyurethane for excellent insulation and the extra strength of the tank.
- A well-sized evaporator guarantees the safe storage and optimum cold transmission of a massive ice reserve
- The evaporator is mounted inside a stainless steel frame made of seamless copper pipes with a long life span.

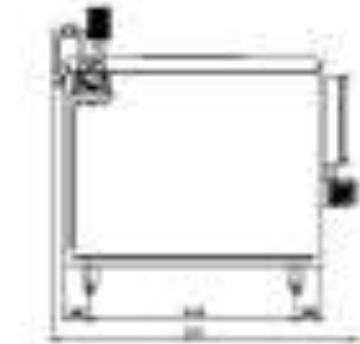
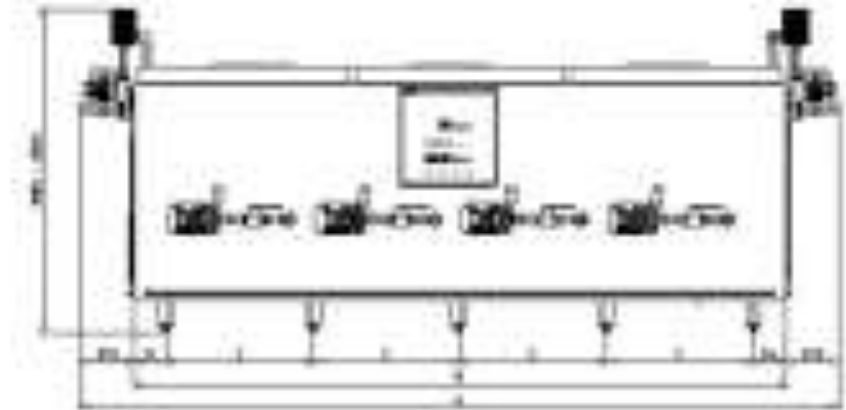
### Operation

- The ice builder cools the water down to 0,5 C
- In order to cool the milk, ice water is pumped into the milk cooler or a pre-cooler by one or more pumps.

### Options

- Supplementary ice water pumps e.g. for current cooling
- Anti-frost protection
- Time clock for setting the nighttime operating speed if not coupled with a milk cooling tank by the IControl

## Technical Data



Model	Energy Storage		Amount of Ice	Amount of Water	A	B	C	D	Legs	Weight
Program	kWh	kcal	kg	litre	mm	mm	mm	mm	adet	kg
230	238,4	2563	2563	5197	331 5	266 5	755	200	8	1050
370	374,6	4027	4027	7877	465 0	400 0	900	200	10	1415

# PACKO FALLING FILM CHILLER



Reliable solution for instant cooling with ice water  
Why use ice water?

Ice water has been utilized for many years for the cooling and overall process cooling of foodstuffs since it has the ability to cool vast amounts of products in a short time. You can instantly produce large quantities of 0,5-1 C ice water. The product has no risk of anti-frost for several applications.



## Application

Ice water, used as a refrigerant, is vital in food and general industries.

## Chiller Advantages

- Instant ice water production between 0,5-1 C
- Rapid cooling of the product
- Intensive cooling with no risk of freezing
- Excellent heat exchange
- No or little maintenance required



## Cooling and Washing

- Falling Film Cooler is made of AISI 304 fully stainless steel. Only 4 side panels are made of double wall-reinforced plastic. These panels can be easily removed, for example, to access cooling plates; for inspection and cleaning.
- Falling Film Cooler consists of a series of stainless steel plates arranged vertically. The number of plates determines the required cooling capacity.
- The plates can be cooled by coolants, such as R134a, R404a, R407F, glycol and liquid ammonia.
- There is a reservoir divided into 2 compartments under the plates: for the hotter water return (from the consumer) and the cooled ice water.

- The cooler can be equipped with one of several ice water pumps.
- If the control box is part of the supply, it is manufactured in accordance with EN 60204-1 guideline and.

## Operation

- A thin layer of water is circulated through the plates and cooled to 0,5-1 C
- The ice water falls on the right side of the isolated reservoir. The ice water from this reservoir goes with a plate exchanger to the cooling compartment of a cooler or processor with a pump.
- The deated water turns back to the left side of the reservoir. This water is pumped to circulate through the plates again. The flow velocity across the plates is always the same and allows for highly efficient heat transfer.
- Cooling banks are operating to compensate for the temperature differential between return water and ice water. Consequently, this is the most economical operation way.
- Falling Film Cooler is equipped with Packo Ecotronic technology as standart. This system makes it easy to adjust the coolant quantity and injects the most suitable amount onto the plates.

## Teknik Veriler

Model	Capacity		Plates Number	Pumps Number	A mm	B mm	C mm	Water Tank Capacity litre
	kWatt	kcal/h						
PFF80	80	69.050	12	3	1450	1611	2704	500
PFF120	120	103.576	18	3	2285	1611	2704	1000
PFF160	160	138.102	24	3	2285	1611	2704	1000
PFF200	200	172.628	30	3	3135	1611	2704	1500
PFF240	240	207.153	36	3	3135	1611	2704	1500



# PACKO Tubular Cooler



## Saving energy with Packo Tubular Cooler

The Packo Tubular Cooler connects to the milk line between the milking system and the milk cooling tank. It can be used with well water or ice water. Milk is cooled before entering the cooling tank. This helps you save energy significantly.

### Advantages

#### Energy Advantages

- Heat the water without using energy
- When using well water or mains water as a pre-cooler, provides significant savings. Up to %50 less energy consumption when cooling milk.

#### Technical Advantages

- Maintenance-free. Unlike a plate cooler, the Packo Tubular Cooler does not require cleaning.
- It is easily cleaned with a milking machine.

#### Quality Dairy Advantages

- Rapid cooling of milk slows bacterial growth.
- Stainless steel is the sole material in touch with the milk as it is leak-proof. This prevents pollution or contamination. It is much safer compared with a plate cooler or bundle tubular cooler.

#### Financial Advantages

- The heated water can be used as drinking water for cattle. Animals like to drink warm water. In winter, more water allows them to urinate.
- Invertment cost reduces with a smaller cooling bank.
- Short investment return
- It is long-lasting
- Suitable for spring water



Packo Tubular Cooler is the best solution for cooling the milk before the cooling tank !

The milk is rapidly cooled with well water up to approximately 20 C in advance. This means considerably lower energy consumption while cooling down to 4 C (green curve). Milk is immediately cooled in ice water for 10 minutes just below the critical limit (instant cooling) Bacterial grwth is stpped at once (blue curve)

### Three milk cooling systems in the e-race against time



# Comfort Equipment Inside the Barn



# Most Manure Scrapers

Most manure scrapers can be applied to any business with their easy installation structure. It can be applied to concrete floors, rubber floors and specially prepared printed floors. It can adapt to any business with manual and automatic control options.

## Animal Comfort Affects Yield

Cow comfort is an important economic parameter in our business. In addition to affecting animal comfort, floor conditions also have a direct impact on animal efficiency. Cleaning the walkways has a positive impact on the foot health of animals and the formation of ammonia in the atmosphere. As a result, most manure scrapers provide a comfortable and hygienic atmosphere for you and your animals.

## Different Types Of Floors

As Most, we have scrapers for each type of floor.

## Special Bedding on Pulleys

Special bedding on scraper tower pulleys reduces the energy consumption of the scraper and extends its life.

## Options

A rubber scraper part can be inserted under the scraper, as an alternative.



# Two Different Versions

## Ecoos

- Manual operation system
- Hot dip galvanized coating
- 0,75 kw green motor technology up to 240 m scraping length
- Chain tensioning with manual jack system
- 17 cm scraper blade height
- 380 Volt operating voltage
- 13 mm chain. At DiN 32895 (G-50) norm

## Comfort Astra

- Opportunity to operate at any time with automatic control box
- PLC control
- Hot dip galvanized coating
- 0,75 kw green motor technology up to 240 m scraping length
- Chain tensioning with manual jack system
- 17 cm scraper blade height
- 380 Volt operating voltage
- 13 mm chain. At DiN 32895 (G-50) norm

## Drive Unit

There are three versions of the Most manure scraper drive unit as standard according to the scraping corridor length. It is long-lasting with a fully galvanized coating.

Drive Unit Model	Max. Scraper Length
0,55 kW	120 m
0,75 kW	240 m
1,5 kW	350 m



## Control Unit

Most control box is designed for excellent operation of your scraper system. The Manual and Automatic timing system can be applied to any business.

# Most GK Series Manure Mixers

Most manure scrapers can be applied to any business with their easy installation structure. It can be applied to concrete floors, rubber floors and specially prepared printed floors. It can adapt to any business with manual and automatic control options.

Most GK-series manure mixers can be utilized in all manure pits without separation. They are applied to any manure pit with its easy installation. It has no transmission organs as it is a submersible type. This reduces the risk of failure. Its chrome body ensures long-term use.

## Technical Features

- 3 different power options; 11-15-18 kW
- Three-phase AC motor 400 V, 50 Hz, 1000 rpm
- IE3 high-efficiency electric motors
- IP 68 protection class
- Sealing carbon mechanical gasket
- Its adjustable height allows for easy mixing of manure layers that settle and float.
- Elevator system
- It penetrates the entire manure pit due to its adjustable return system



Mixing distances by model



## Three Different Versions

### GK 11

- Submersible type
- 11 kW Motor power
- 2-blade system
- Liquid sensor
- Thermal sensor
- Communication system with Most manure systems

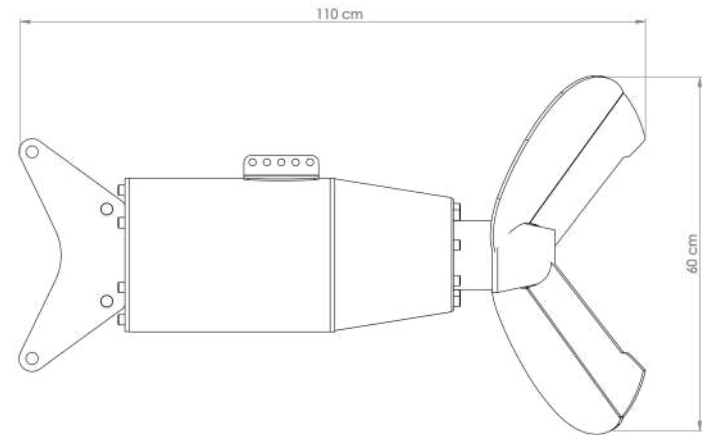
### GK 15

- Submersible type
- 15 kW Motor power
- 2-blade system
- Liquid sensor
- Thermal sensor
- Communication system with Most manure systems

### GK 18

- Submersible type
- 18 kW Motor power
- 2-blade system
- Liquid sensor
- Thermal sensor
- Communication system with Most manure systems

## Technical Data



## Mixer Location Examples



# Most GP Serisi Manure Pumps

Most manure pumps are designed in various sizes for manure transfers. Most GP series, in particular, performs exceptionally in manure pits that are homogenized by manure mixers. Most GP series manure pumps can be used in the fleshing systems.

Most GK-series manure mixers can be utilized in all manure pits without separation. They are applied to any manure pit with its easy installation. It has no transmission organs as it is a submersible type. This reduces the risk of failure.

## Technical Features

- Six different power options, 5- 7.5-11-15-18-22 kW.
- Three-phase AC motor 400 V, 50 Hz, 1000 rpm.
- IE3 high-efficiency electric motors.
- iP 68 protection class.
- Sealing carbon mechanical gasket.
- Space -saving design.
- Elevator system.



## Six Different Versions

### GP 5

- Submersible type
- 5 kW Motor power
- Wortex fan type
- Liquid sensor
- Thermal sensor

### GP 7,5

- Submersible type
- 7,5 kW Motor power
- Wortex fan type
- Liquid sensor
- Thermal sensor

### GP 11

- Submersible type
- 11 kW Motor power
- Wortex fan type
- Liquid sensor
- Thermal sensor

### GP 15

- Submersible type
- 15 kW Motor power
- Wortex fan type
- Liquid sensor
- Thermal sensor

### GP 18

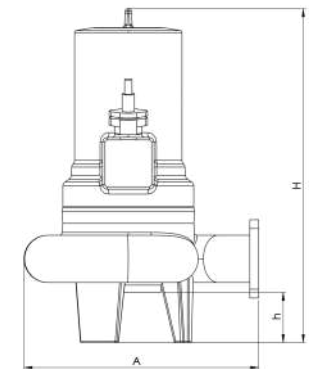
- Submersible type
- 18 kW Motor power
- Wortex fan type
- Liquid sensor
- Thermal sensor

### GP 22

- Submersible type
- 22 kW Motor power
- Wortex fan type
- Liquid sensor
- Thermal sensor

## Technical Data

Output Diameter		%10	Output Diameter
Capacity m3/h	GP 5	30 m3 ± %10	4 inc
	GP 7,5	55 m3 ± %10	4 inc
	GP 11	75 m3 ± %10	4 inc
	GP 15	105 m3 ± %10	4 inc
	GP 18	125 m3 ± %10	6 inc
	GP 22	145 m3 ± %10	6 inc



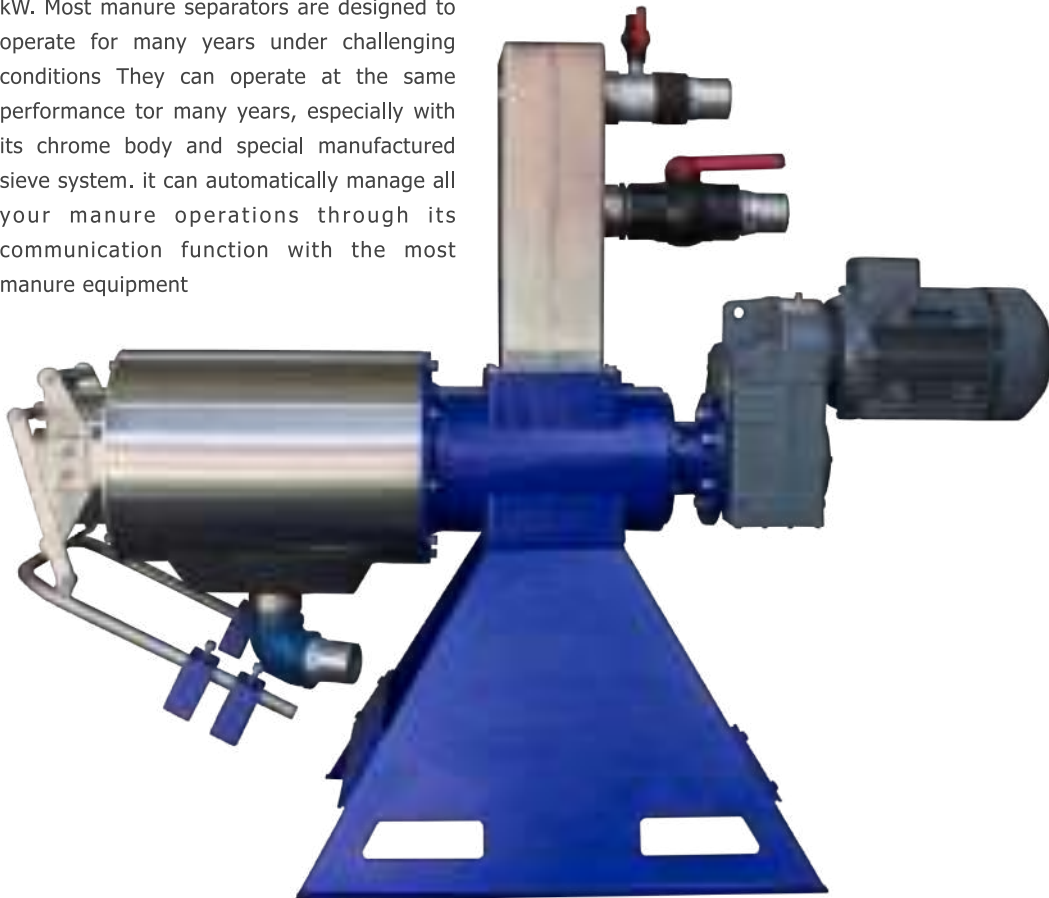
Capacity data indicated on the table can vary based on pipe diameter, distance and manure density used.

	Height (H) mm	Width (A) mm	Fan Height (h) mm
GP 5	608 mm	395 mm	94 mm
GP 7,5 - GP 11	657 mm	395 mm	88 mm
GP 15			
GP 18 - 22	1100 mm	420 mm	125 mm

# Most SP Series Manure Separators

Most SP series manure separators are used in the animal husbandry, biogaz, paper and food industries to separate high-fibre products. Versatile sieve options with a wide area of application reduce the storage and handling costs of the current process.

The most manure separator can operate at any capacity with options of 5.5 kW and 7.5 kW. Most manure separators are designed to operate for many years under challenging conditions. They can operate at the same performance for many years, especially with its chrome body and special manufactured sieve system. It can automatically manage all your manure operations through its communication function with the most manure equipment.



## Two Different Versions

### SP 550

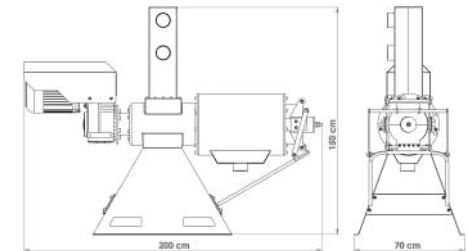
- 5,5 kW motor power
- 250 mm Sieve spiral diameter
- AISI 316 Wedge Wire sieve type
- IE3 high efficiency electric motor
- iP 68 protection class
- 0,25 - 0,5 - 0,75 - 1 mm sieve options
- 380 Volt operating voltage
- Hardened helix over AISI 304

### SP 750 HD

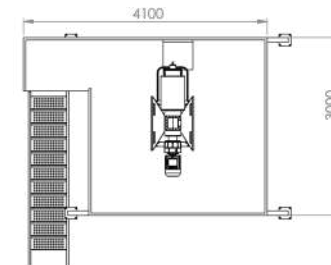
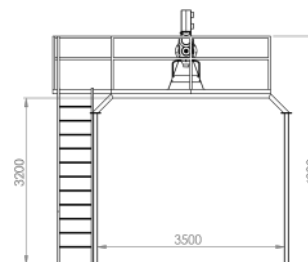
- 7,5 kW motor power
- 350 mm Sieve spiral diameter
- AISI 316 Wedge Wire sieve type
- IE3 high efficiency electric motor
- iP 68 protection class
- 0,25 - 0,5 - 0,75 - 1 mm sieve options
- 380 Volt operating voltage
- Hardened helix over AISI 304

## Technical Data

Model	SP 550	SP 750 HD
Dry Matter	%10	%10
Capacity m3/h	35 m3 ±%10	49 m3 ±%10
Solid Output	3,5 m3 ±%15	4,9 m3 ±%10



Capacity data indicated in the table may vary according to manure density.





# Most Yatak Demirleri

Most Comfort series stalls are designed by taking into account the animal ergonomics as well as their lying positions. It has become indispensable equipment for businesses as bedding time directly affects yield.



Most Comfort series stalls can be used on any size of animals due to their adjustable yokes. Since there is no prob at the bedding place, it is suitable for rubber beds and pool beds (bed type filled with soil, sand, sawdust and manure). it can be installed in any type of bam due to its simple and individual assembly.



## Yararınıza 6 Belirleyici Avantaj

- |  |   |
|--|---|
| 1. One-piece ergonomic desing                | The most suitable design for animal                 |
| 2. Fixed base plate with 4 screw connections | It adapts to any type of barn                       |
| 3. Connection-free design to the bedding     | Easy assembly for rubber beds                       |
| 4. Robust design                             | 60 mm x 3 mm ve 48 mm x 2,5 mm goods                |
| 5. Animal-friendly design                    | The most suitable lying design for animal           |
| 6. Hot dip galvanized coating                | It can withstand the barn atmosphere for many years |

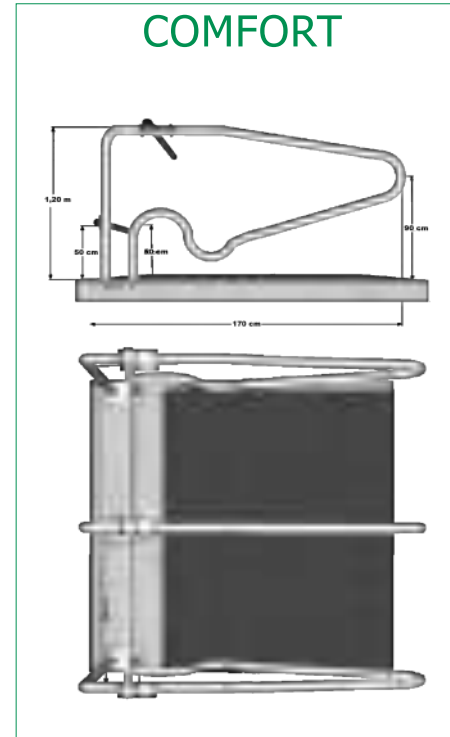
## Two Different Versions

### Comfort

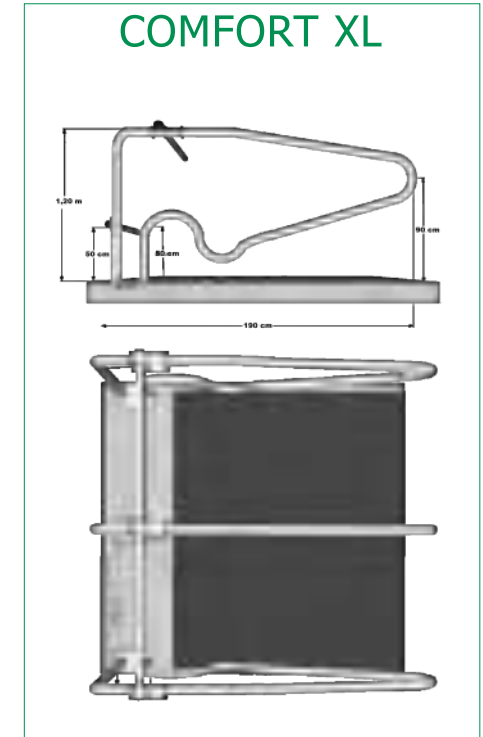
- 60 mm Stall, 48 mm yoke
- 2Thicnese 2,5 mm
- TAii iron parts are hot dip galvanized
- Sizes 170x120 cm
- Individual assembly
- Railling pipe in double rows 48 mm

### Comfort XL

- 60 mm Stall, 48 mm yoke
- 2Thicnese 2,5 mm
- TAii iron parts are hot dip galvanized
- Sizes 190x120 cm
- Individual assembly
- Railling pipe in double rows 48 mm



Sit can be used for milking animals and heifers. it is used in all races with genuine classic sizes.



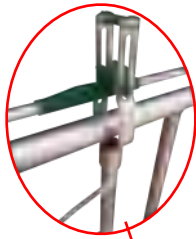
It can be used on milking animals.

# Most Comfort Series Feeding Headlocks

Most Comfort series feeding headlocks are designed considering the animal feeding position. It has become sensible equipment for businesses as individual feeding directly affects yield.



Plastic lock-up mechanism. Automatic and individual lock-up is available.



Standard feeding headlock set with 4-axle of 3m long.

## Two Different Versions

### Comfort

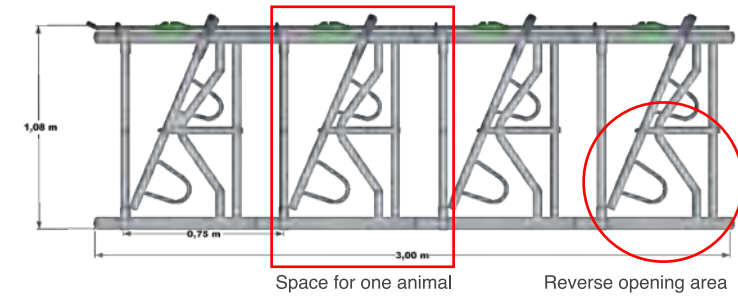
- 108 x 75 cm fixed size of animal head
- Pipe diameters; 60mm, 42 mm, 27 mm
- Thickness 3 mm
- AII iron parts are hot dip galvanized
- Inclined mounting
- Individual and group locking
- 4-axle set

### Comfort A

- 108 x 75 cm fixed size of animal head
- Pipe diameters; 60mm, 42 mm, 27 mm
- Thickness 3 mm
- AII iron parts are hot dip galvanized
- Inclined mounting
- Individual and group locking
- 4-axle set

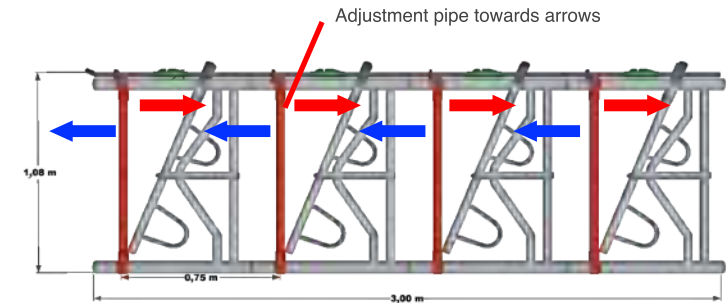
### Comfort

Most Comfort series feeding headlocks are fixed-sized as 1.08m for the animal head perimeter of 75cm. This size can serve all animals with a large head. The animals stuck in the headlock may easily be freed using the function of reverse movement. As standard, they are manufactured as 4-axle of 3 m long. That number may change with custom manufacturing.



### Comfort A

Most Comfort series feeding headlocks of 1.08 m can be used in all animals with adjustable animal head sizes. The animals stuck in the headlock may easily be



freed using the function of reverse movement. As standard, they are manufactured as 4-axle of 3m long. That number may change with custom manufacturing.

# Most Animal Beds

Most Comfort series feeding headlocks are designed considering the animal feeding position. it has become indispensable equipment for businesses as individual feeding directly affects yield.



# Most Letto Animal Bed

Most Letto animal beds provide the animal with a comfortable place to sleep while also serving as a buffer between the animal and the floor on which it is lying. This also makes animals spend a longer time in bed. A comfortable animal bed directly affects the animal yield. Its economical structure can be applied to any type of barn. it can be easily cleaned with specially designed channels.



### Technical Features

- Material: Rubber
- Size: 180 x 110 cm (± 0,5 cm)
- Thickness: 2 cm (± 0,2 cm)
- Number of Layers: Single layer



# Most Comfort Animal Bed

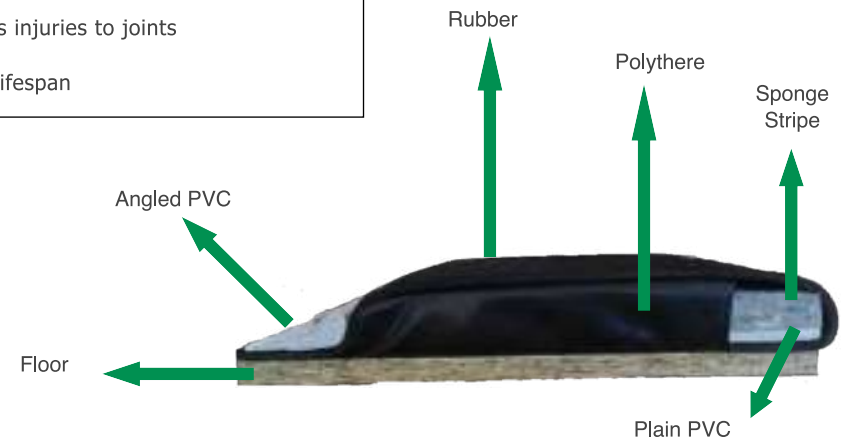
Most Comfort animal beds provide the animal with a comfortable place to sleep while also serving as a buffer between the animal and the floor on which it is lying. This also makes animals spend a longer time in bed. A comfortable animal bed directly affects the animal yield. Most comfortable animal beds are much more comfortable and more insulated than rubber beds.



### Technical Features

- Material: Sponge + Rubber
- Size: 180 cm x Solid Mount (±0,5 cm)
- Thickness: 3,7 cm(± 0,2 cm)
- Number of Layers: Duble layer

- ### Four Determinant Advantages
1. Solid assembly
  2. Ultra bedding comfort with 3,7 cm
  3. It prevents injuries to joints
  4. 5 year of lifespan



# Most Puzzle Flooring

Most puzzle flooring rubber is used especially for covering large surfaces. It particularly stands out in the flooring of the milking parlour, infirmary, delivery rooms, walkways and scraping areas. The puzzle structure makes it simple to link up the material to each other, which is necessary for flooring. Most puzzle flooring mats are also used in large bedding areas. It can be applied anywhere with its easy installation.



## Technical Features

- Material: Rubber
- Size: 100 x 200 cm
- Thickness: 2,5 cm (± 0,2 cm)
- Number of Layers: Single layer



## Three Determinant Advantages

1. It prevents animals from falling and slipping, saving them from perishing.
2. It provides to cover large surfaces.
3. It substantially reduces nail problems.



# Most Cow Brush

Most automatic brush machine is designed specifically for animals in order to ensure that they itch properly. Animals can easily use it due to its 360-degree rotating mechanism. When the animals rotate the brush 15 degrees, it begins to work. The brush keeps on working as long as the animal keeps in contact. It automatically stops after operating for another 20 seconds when the animals leave the brush. Once the brush stops, the following operation begins in reverse to protect the brushes from deforming in the same direction.



## Tail Protection System

There is a tail protection system as standard in Most automatic brush machines. If, for whatever reason, the brush gets stuck, the mechanism runs the brush in reverse, which will free the animal's tail if it gets jammed. If the jamming continues, the brush stops working for 60 seconds.

## Technical Features

- Type: Brush
- Number of Brush: 1 pc
- Bristle Diameter: 52 cm
- Motor Power: 0,18 Kw 220 Volt
- Sensor: Motion Sensitive
- Fixing: On the wall and pipe



# Most Hoof Trimmer

Most Hoof Trimming Trailer systems are designed to provide the most ergonomic and accurate positioning for your animals' foot care. With its strong me and four different versions, it can be used in every business.



## Four Different Versions

### Fixed Hoof Trimming Trailer-T1

- Designed for fixed use
- Hand-Operated winches are used to lift, suspend, and fix the legs.
- Material: 40x60x3 mm Galvanized Profile
- Size: 90x195x195 cm
- Front Gate: 30x50x3 mm
- Lifting System: With manual crane
- Number of Cranes: 4 pcs

### Mobile Hoof Trimming Trailer-T2

- Designed for mobile and fixed use
- Hand-Operated winches are used to lift, suspend, and fix the legs.
- Material: 40x60x3 mm Galvanized Profile
- Size: 90x195x195 cm
- Front Gate: 30x50x3 mm
- Lifting System: With manual crane
- Number of Cranes: 4 pcs

### Hoof Trimming Trailer With Fixed Scale-T3

- Designed for fixed use
- Hand-Operated winches are used to lift, suspend, and fix the legs.
- Material: 40x60x3 mm Galvanized Profile
- Size: 90x195x195 cm
- Front Gate: 30x50x3 mm
- Lifting System: With manual crane
- Number of Cranes: 4 pcs
- Scale system

### Hoof Trimming Trailer With Fixed Mobile Scale-T4





- Designed for mobile and fixed use
- Hand-Operated winches are used to lift, suspend, and fix the legs.
- Material: 40x60x3 mm Galvanized Profile
- Size: 90x195x195 cm
- Front Gate: 30x50x3 mm
- Lifting System: With manual crane
- Number of Cranes: 4 pcs
- Scale system



# Most Animal Waterers

Water is one of the most important nutrients for animals. Therefore, we must always put a sufficient amount of quality water in areas where our animals can reach easily. Quality waterers that are placed in the right locations can boost yield

The placement of waterers in operational design is imperative for supplying the daily water needs of animals and ensuring that they are positioned in the proper locations that do not impede movement within the barns. In addition, the proper arrangement of the water line is critical for the timely supply of water to animals. As the Most project team, we can help with the design of waterers properly. Water and feed are critical agricultural outputs that must not be underestimated. Errors in the provision of these two products to animals directly affect efficiency.

	Cow 60-160 Lt
	Male over age one 25-70 Lt
	Male under age one 15-40 Lt
	Calf up to six 15-40 Lt

## Things To Be Considered in The Selection Of Waterer

1. Is the waterer suitable for animal type and age?
2. Does the flow rate of water, volume of waterer, drinking position and number meet the needs of the animal or group?
3. Is the waterer position suitable for animal traffic?
4. Has the location where the waterer is taken into account in selecting it? (Interior or exterior)
6. Is the material used appropriate for your business?

# Most Trough 240

MMost 240 it Trough is designed for animals to drink water easily with its polyethene water chamber. The polyethene water chamber can be easily cleaned with its slope toward the drain. The chrome frame offers robust, long-standing service in a barn atmosphere.



## Technical Features

- Type: Trough  
Material: Polyethylene + Chrome  
Size: 195 x 47 x 85 cm  
Capacity: 240 Lt  
Heater: No  
Automatic Buoy System: Yes  
Fixing: Only on the ground



Su Hattı Basınç 3-4 Bar Olmalıdır.

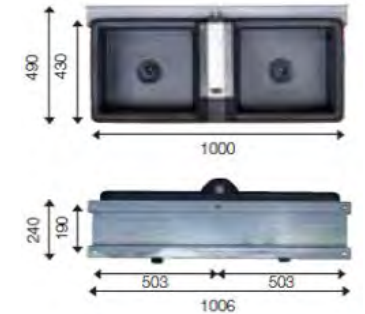
# La Gee Polbac 72

La Gee polbac 72 it trough is designed for the use inside a barn. It is particularly suitable for young animals and livestock. It can also be used in milking animals. Its easy assembly structure allows installation anywhere.



## Technical Features

- Type: Trough  
Material: Plastic + Metal  
Size: 100 x 50 x 30 cm  
Capacity: 72 Lt  
Heater: No  
Automatic Buoy System: Yes  
Fixing: On the wall or paddock



Su Hattı Basınç 3-4 Bar Olmalıdır.

## La Gee Anti-Freeze Waterers

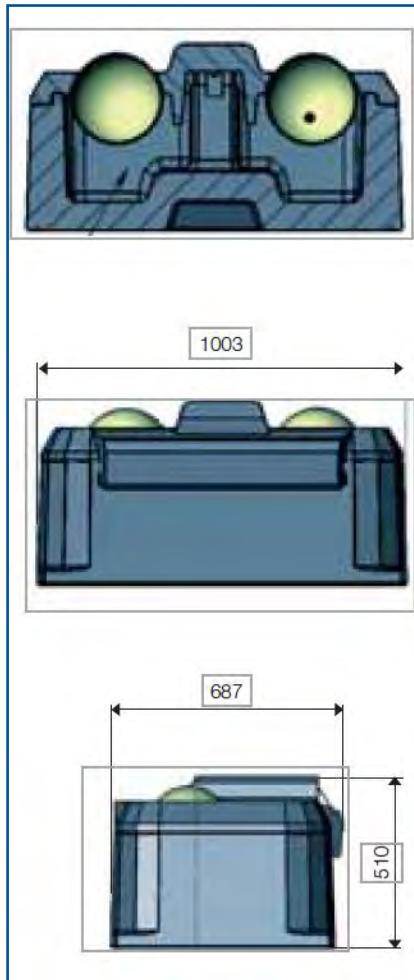
La Gee anti-freeze waterers are designed to ensure that animals drink water outdoors. It protects animals from drinking ice water in the winter by keeping temperatures above  $-30^{\circ}\text{C}$  below zero. In summer, it prevents animals from drinking warm water. This directly affects the yield. The collective cover system ensures that the water stays at a certain temperature by disconnecting the contact between the air and the water.

### Technical Features

- Type: Anti-Frost Waterer
- Material: Plastic
- Size: 100 x 70 x 50 cm
- Capacity: 75 Lt
- Number of Partition: 2
- Heater: No

### Technical Features

- Durable up to  $-30$  degrees
- Durable design suitable for animal anatomy
- Drain plug and water cleaning hose inside the waterer
- Water pressure should be no more than 3-4 bar
- For best installation it must be installed 20 cm above the ground where the animal is standing
- It can serve 40 milking animals to 45 livestock.
- It must be fixed to the ground from the anchor points.



## Most S Series Chrome Dumper Waterers

Most S Series Chrome Dumper Waterers are designed to operate under challenging conditions. It can be easily cleaned with the dumper mechanism. A hidden buoy system was employed to avoid animal interference. It is mounted on the wall as standard. Optionally, a frame to mount on the ground can be purchased. Heated models can also be used in cold areas. In the heated models, the resistance works in the hay chamber. Thus, calcification of resistance is prevented.



### Technical Information

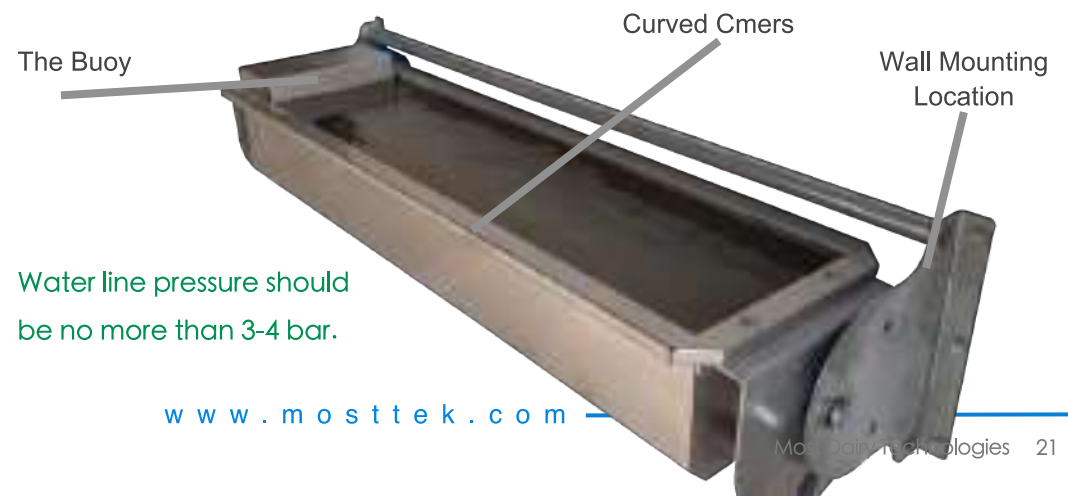
- It can be used in any environment due to its easy installation
- Durable design suitable for animal anatomy
- Dumper mechanism for cleaning

Water pressure should be no more than 3-4 Bar

- It can be mounted on walls or on paddocks as standard.
- It can serve 30 milking animals to 35 livestock.
- It must be fixed to the ground from the anchor points.



Floor Mounting Kit



Water line pressure should be no more than 3-4 bar.

## Most S150

Most 150 it Trough is designed for animals to drink water easily and the toughest conditions with its hot-dip galvanized frame of the chromium water chamber. it is very easy to clean with the dumper feature. It can be used comfortably, even in the most difficult circumstances with a hot-dip galvanized coating.

### Technical Features

- Type: Trough
- Materials: Chromium + Galvanized Pipe
- Size: 150 x 35 x 30 cm
- Capacity: 150 Lt
- Heater: No
- Automatic Buoy System: Yes



## Most S200 H

Most 150 it Trough is designed for animals to drink water easily and the toughest conditions with its hot-dip galvanized frame of the chromium water chamber. it is very easy to clean with the dumper feature. it can be used comfortably, even in the most difficult circumstances with a hot-dip galvanized coating.

### Technical Features

- Type: Trough
- Materials: Chromium + Galvanized Pipe
- Size: 200 x 35 x 30 cm
- Capacity: 200 Lt
- Heater: Yes
- Automatic Buoy System: Yes



Heater



## Most S150 H

Most 150 it Trough is designed for animals to drink water easily and the toughest conditions with its hot-dip galvanized frame of the chromium water chamber. it is very easy to clean with the dumper feature. it can be used comfortably, even in the most difficult circumstances with a hot-dip galvanized coating.

### Technical Features

- Type: Trough
- Materials: Chromium + Galvanized Pipe
- Size: 150 x 35 x 30 cm
- Capacity: 150 Lt
- Heater: Yes
- Automatic Buoy System: Yes



Heater



## Most S250

Most 150 it Trough is designed for animals to drink water easily and the toughest conditions with its hot-dip galvanized frame of the chromium water chamber. it is very easy to clean with the dumper feature. It can be used comfortably, even in the most difficult circumstances with a hot-dip galvanized coating.

### Technical Features

- Type: Trough
- Materials: Chromium + Galvanized Pipe
- Size: 250 x 35 x 30 cm
- Capacity: 250 Lt
- Heater: No
- Automatic Buoy System: Yes



## Most S200

Most 150 it Trough is designed for animals to drink water easily and the toughest conditions with its hot-dip galvanized frame of the chromium water chamber. it is very easy to clean with the dumper feature. It can be used comfortably, even in the most difficult circumstances with a hot-dip galvanized coating.

### Technical Features

- Type: Trough
- Materials: Chromium + Galvanized Pipe
- Size: 200 x 35 x 30 cm
- Capacity: 200 Lt
- Heater: No
- Automatic Buoy System: Yes



## Most S250 H

Most 150 it Trough is designed for animals to drink water easily and the toughest conditions with its hot-dip galvanized frame of the chromium water chamber. it is very easy to clean with the dumper feature. it can be used comfortably, even in the most difficult circumstances with a hot-dip galvanized coating.

### Technical Features

- Type: Trough
- Materials: Chromium + Galvanized Pipe
- Size: 250 x 35 x 30 cm
- Capacity: 250 Lt
- Heater: Yes
- Automatic Buoy System: Yes



Heater







## *Smart, Easy and Durable*

You can find the right machine for your business with the customisable features of Most Calf series feed machines.



*engineer work*

# Most Calf Series Feed Machines

▶ it is significant for the future of calf breeding farms. Research shows that the correct care during the calf period has a direct impact on the yields of Animal during the production period. So we designed the right machine for the right care

Let's design your feed machine together for the calves, the future of your farm ...

## Most Calf One Mobile

Most Calf One Mobile feed machines can be employed in any business with their affordable and above-standard features. It can be used for individual huts and community care with its innovative design. The standard dosing system prevents malnutrition.



## Stainless Steel Body

The boiler of the Calf One Mobile feed machine is made of stainless steel. This ensures long life and easy cleaning. Cleaning is very important as it is nutritional equipment. This issue has been taken into consideration throughout the design phase.

## Smart Dosing System

The standard dosing system in Calf One Mobile is distinguished in individual care with 9 programmable dosage levels. This feature prevents operator errors and ensures the right amount of milk or feed to be supplied.

## Electronic Control System

All parameters of the Calf One Mobile feed machine are controlled by an electronic system.

## Strong Frame Durable Design

You can use the Calf One Mobile feed machine on the farm for many years with its strong frame. Components of the feed machine are chosen from farm-resistant equipment.

## Pasteurization Module

If you wish, you can select the pasteurization module as an option.



## Two Different Versions

### Calf X Mobile 100

- 100 Lt Capacity
- Stainless steel body
- Heater mixing system
- Adaptive mixing system
- Electronic control unit
- Smart dosing system (9 programmable dosing levels)

### Calf X Mobile 220

- 220 Lt Capacity
- Stainless steel body
- Heater mixing system
- Adaptive mixing system
- Electronic control unit
- Smart dosing system (9 programmable dosing levels)

# Most Calf X Mobile

Most Calf X Mobile feed machine is highly customizable and comes with lots of high-quality standard features. It is user-friendly with innovative and auxiliary design advantages. It can be used for individual and collective care. It saves labour with drive mode. You can personalize it to your farm's needs with a wide range of options.



## Calf X mobile



**Drive Platform**  
Comfortable driving user comfort



**Led Lighting**  
Smooth ease of use in the dark



**Stainless Steel Surfaces**  
Long lasting and easy to clean



**IP67 Protection**  
Durability and low maintenance cost



**UX Design**  
User-oriented design high efficiency



**Item Eyes**  
The easiest way to be organized in calf feeding



**Joystick**  
Innovative motion control 360 degree maneuvering



**Dosing Gun**  
Comfortable grip, informative display and smart dosing



**3-Axis Fixing Arm**  
Speed and flexibility in milk delivery



**Transport Platform**  
Folding platform with 80 kg carrying capacity



## Joystick and Electric Driving Unit

With its simple and practical design, the Calf X Mobile joystick provides an easy and ergonomic driving experience. A joystick that is fully compatible with the independent and powerful pair of engines, performs at a high level in challenging farm conditions.



## Led Lighting

Calf X Mobile is equipped with front and side led lightings. It offers a 270-degree wide view to users in atmospheres with a lack of light.



## Simple & Advanced Driving Options

The advanced drive option allows 360 degrees of manoeuvring at adjustable speed with joystick control, and simple drive allows only forward and backward movement at an adjustable speed.



## Goods Handling Cells and Transport

Goods handling cells and transport platform in the Calf X Mobile make it possible for you to carry the materials you want with you when it comes to calf care.

## 4 Different Version

### Calf X Mobile 100

- 100 Lt Capacity
- Stainless steel body
- 6 Kw Heater
- Front led lighting
- Adaptive mixing system
- Electronic control unit
- Smart dosing system (9 programmable dosing levels)
- Two good handling cells

### Calf X Mobile 160

- 160 Lt Capacity
- Stainless steel body
- 6 Kw Heater
- Front led lighting
- Adaptive mixing system
- Electronic control unit
- Smart dosing system (9 programmable dosing levels)
- Two good handling cells

### Calf X Mobile 220

- 220 Lt Capacity
- Stainless steel body
- 6 Kw Heater
- Front led lighting
- Adaptive mixing system
- Electronic control unit
- Smart dosing system (9 programmable dosing levels)
- Two good handling cells

### Calf X Mobile 280

- 280 Lt Capacity
- Stainless steel body
- 6 Kw Heater
- Front led lighting
- Adaptive mixing system
- Electronic control unit
- Smart dosing system (9 programmable dosing levels)
- Two good handling cells

## Options

- Electric drive module
- Pasteurization module
- Dosing gun control panel
- Three-axis dosing gun handle
- Right - left led lighting
- Multipurpose transport platform
- Drive platform
- Hot water heating system

# Most Calf Hutches

One of the key factors in ensuring the continuity of animal husbandry businesses is to prevent calf loss and grow calf well. Therefore, the importance of individual care has increased exponentially today. As Most, we offer equipment for individual care both indoors and outdoors.

## Agritech Agribox 1

The fibreglass construction of the Agritech Agribox 1 calf hutches makes it an excellent insulator as well as a long-lasting asset. It is sufficient to wash the smooth inner walls during animal replacements. It is both durable and robust with its galvanized fence system.



### Technical Features

- Type: Fiberglass Hut
- Material: Fiberglass hut, hot dip galvanized coating metal fence
- Hut Size: 168x131x128 cm
- Metal Fence Size: 125x114x91 cm
- Content: One hut, one plastic fence, one feeding bottle, two feed preservative



# Most Plastic Calf Hutches

Plastic calf hutches are the ideal solution for businesses with their affordable and easy-to-carry nature. Its adjustable ventilation allows cooling indoor spaces and air traffic in summer.



### Technical Features

- Type: Plastic Hut
- Material: HDPE UV 8 polyethylene
- Hut Size: 170x120x130 cm
- Plastic Fence Size: 95x130x130 cm
- Content: One hut, one plastic fence, one feeding bottle, three feeders, two feed preservative



# Most Calf Cage

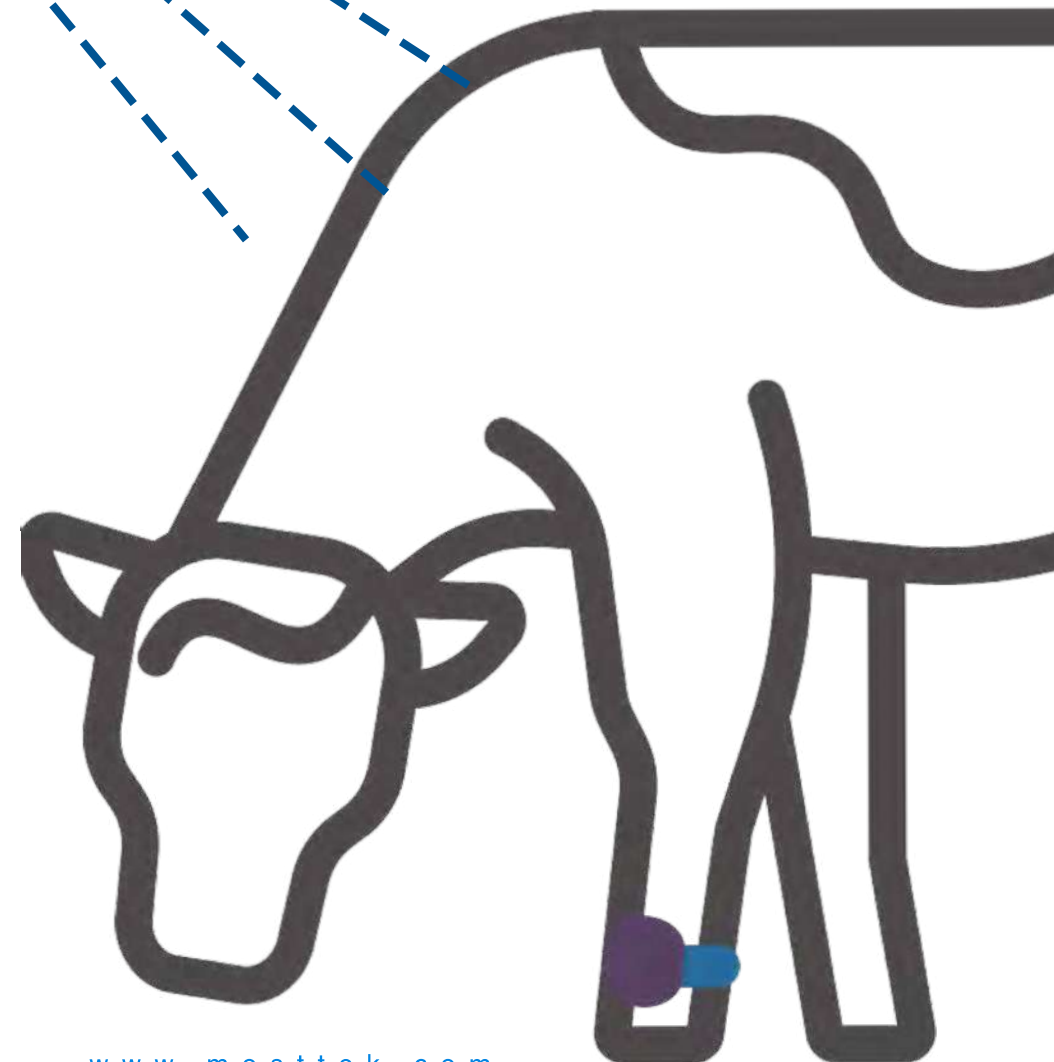
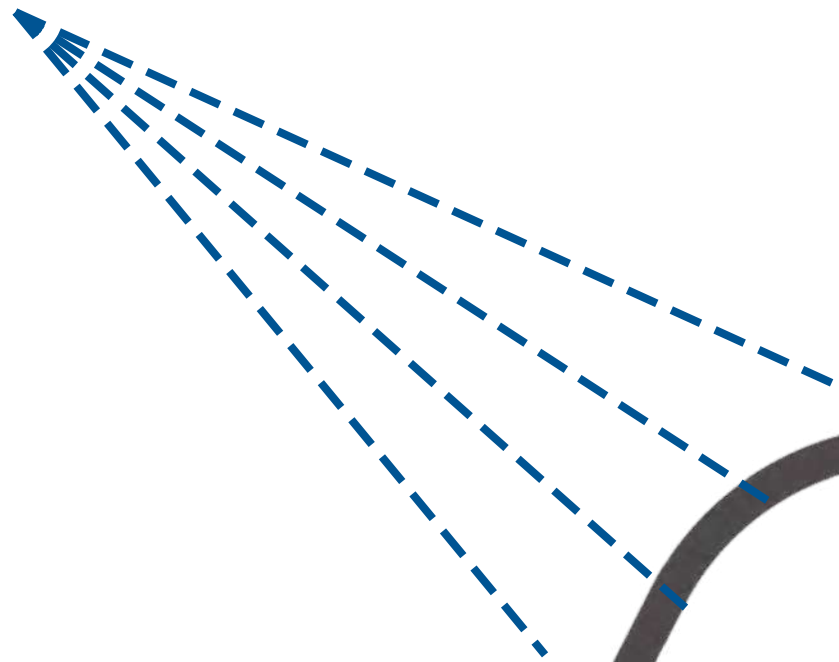
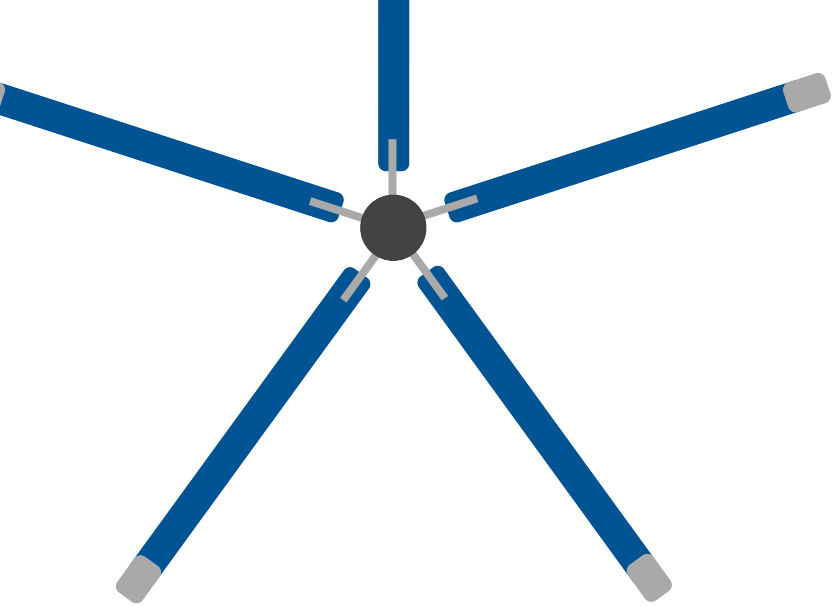
It is designed especially for businesses with calf barns. It is more economical than calf huts, being above the ground keeps animals' bottoms dry and reduces cleaning labour.



### Technical Features

- Type: Cages
- Material: Hot dip galvanized coated metal
- Size: 160x108x120 cm
- Contents: One cage, one feeding bottle, two feeders, one perforated base rubber





## Most Air Climatization Systems

power by  
**most**

[www.mosttek.com](http://www.mosttek.com)

# Neglected Issue Heat Stress

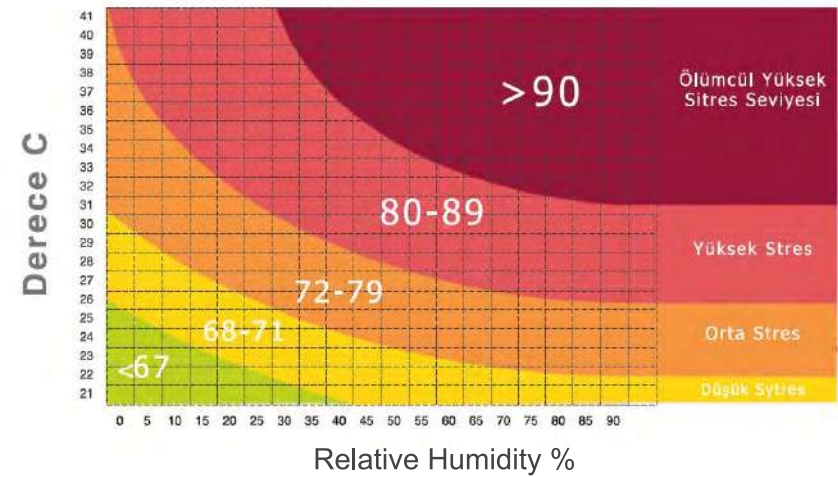
Milking cows are very sensitive to heat stress, which causes the farm to lose money. High yielding cows show more signs of heat stress. High temperatures lead to reduced feed intake, decreased milk yield and fertility and increased risk of mastitis.

Heat stress depends on the ambient temperature and relative humidity.

The temperature-humidity index or THI is a common indicator of heat stress.

While the heat stress threshold has previously been recognized as a THI value of 72, recent research shows that a THI of 68 already affects the milk production, health, and productivity of high-yielding cows.

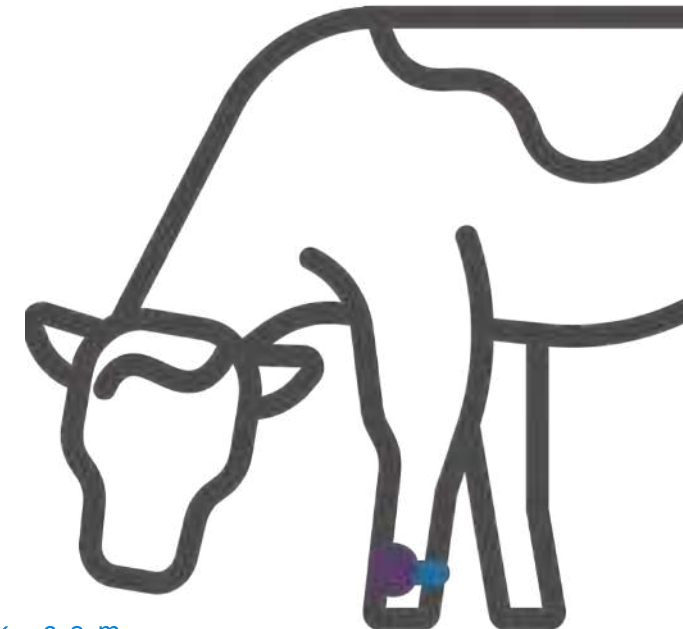
Heat stress in livestock also reduces feed intake, resulting in a lower coefficient of growing fat.



## Simple Tips For Reducing Heat Stress

1. Building a sufficient shadow area
2. Ensuring cooling with fans
3. Ensuring circulation of fresh air
4. Providing cooling of animals by showering if necessary
5. Frequent cleaning of waterer to provide fresh and clean water
6. Regulation of feed ration

# Climate Control Healthy Production



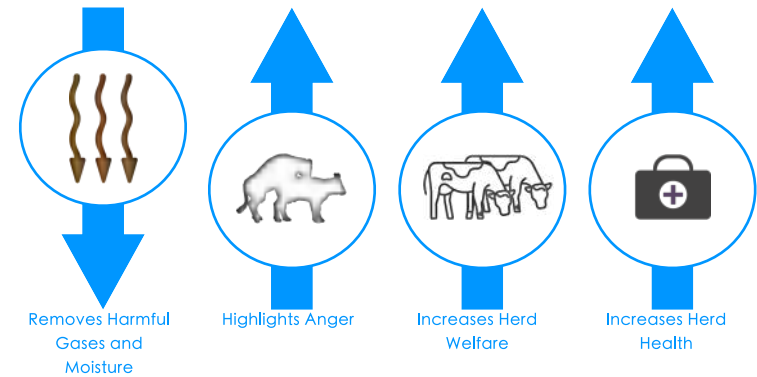
# Access to Oxygen

As important as heat stress is ensuring oxygen access to animals. As crucial as preventing heat stress is removing barn ammonia released from the barn and bringing fresh air into the barn as well as helping animals to breathe fresh air. Yield decrease can be as efficient as heat stress in barns that are not designed particularly correctly and where there is insufficient air flow. This issue affects young animals as well as breeding animals and increases growth costs. Proper placement of Most Air Helicopter Fans can change this unfortunate situation. You can ask our expert team for help and end your yield loss.

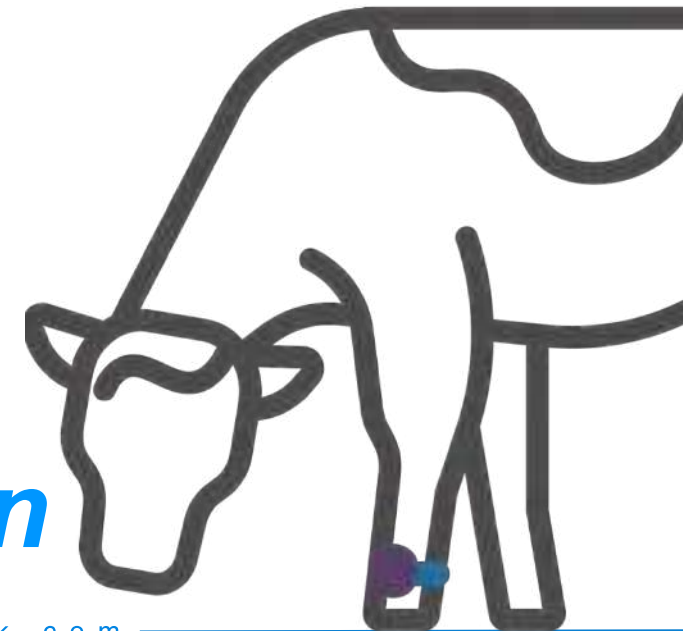
## Tips For Increasing Oxygen Access

1. Correct design of the barn flue outlet
2. Correct design of the roof angle
3. Acceleration of air circulation with helicopter fans

## The Effects Of Proper Acclimatization On Animals

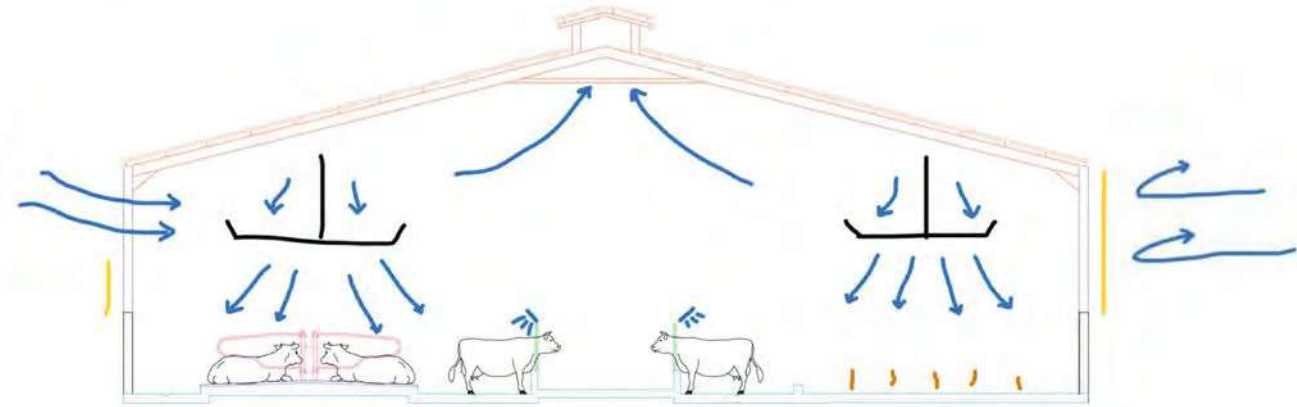


**Clean Air**  
**Healthy Production**

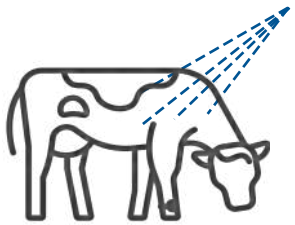


# Most Air Systems Are The Key To Climatization

To create the correct climatization, it is necessary to make a choice considering the type, dimensions, location, climate conditions, the layout of the barn as well as the systems used. As Most Air, we develop solutions far maximising animal comfort and your profit.

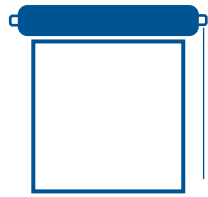


## Most Air Climatization Systems



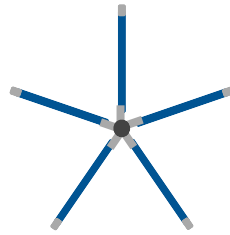
**Air Shower**

The Most Air SHower system helps animals relax in hot weather.



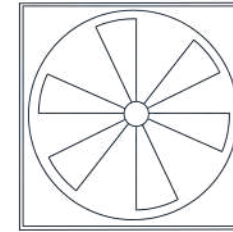
**Air Screen**

Most Air screen systems provide relief for animals in hot weather. Most Air screen systems provide shading of the barn in summer and ensure that



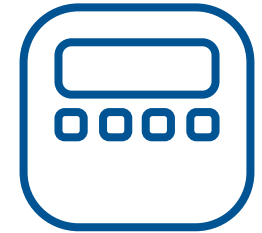
**Air Helicopter Fan**

Most Air helicopter fans can be used in any business with a wide range of products.



**Air Action Fan**

Most Air Action Fans are available in 100 and 140 models in every field.



**Air Smart Control**

Most Air Smart Control box allows you to climatize inside the barn while minimizing personnel errors.



# Most Air Shower System

Most Air has developed a showering system to protect animals from over-heat stress and to prevent reduced feed intake. The water passes through the animal's hair and penetrates directly into the skin. Thus, heat transfer occurs as the water evaporates, allowing a feeling of coolness.

## Why Shower System

1. The fogging system may increase the amount of humidity in the air and cause respiratory problems. The shower system avoids this.
2. As the fogging system may increase the amount of humidity in the air the amount of oxygen in the air is reduced, which decreases the oxygen access of the animals and leads to yield loss.
3. As the shower system reaches the skin, it makes the animal

## Operating Range

- It must operate 60 seconds between 22° C to 30° C every 15 mi
- It must operate 60 seconds between 30° C to 35° C every 1 o minute
- At temperatures above 35° C, must operate 40 seconds every 5 minutes.



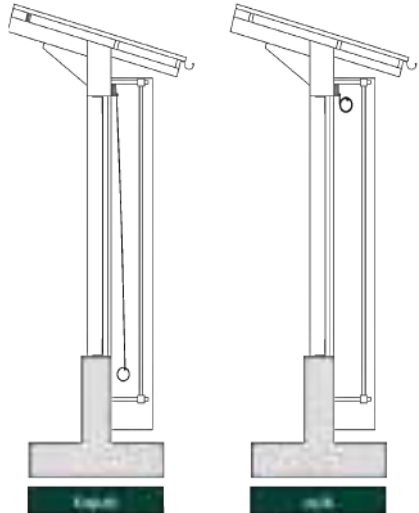
## A-1

### Top and Bottom One Way Winding System



Side - Wall Spiral in Shade

System 1 provides bottom ventilation. The system can be completely lifted. Tarpaulin and net can be combined on System 1. Agrotel system 1 is used for sidewall ventilation and cladding.



Maximum Sizes

Max. Length: 120 m

Max. Height: 6 m

System 1 is fixed with a fish plate and a profile at the top.

C-profiles with hot-dip galvanized and rubber coating function as internal and external tensioners. It provides stability in the most appropriate way possible. The drive is supplied by a tube motor or a gear motor.

Tahrik tüp motor veya dişli motor ile sağlanır.

## A-2

### Top and Bottom Double Winding System



Side - Wall Spiral in Shade

Agrotel system 4 is the versatile side wall ventilation system among the others. It provides bottom and top ventilation. It can be utilized as a shade when the installation is rolled up from the bottom to up, lifted a little bit and then released down. In the summer months, the entire installation can be

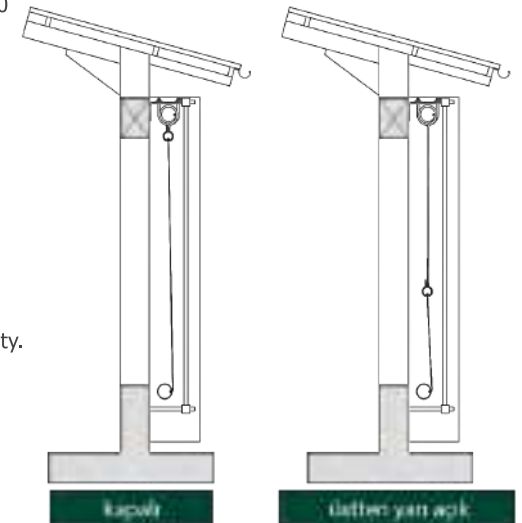
opened upwards. System 4 is a system with several possibilities. System 4 was designed by Agrotel 20 years ago. Since then, it has been proven with universal use areas and equipped with the latest technology, constantly improving and developing.

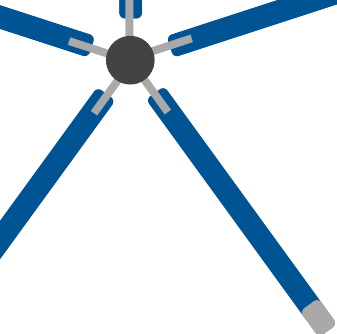
Maximum Sizes

Max. Length: 120 m

Max. Height: 5 m

This system has a wide range of ventilation possibilities. The internal and external vertical tensioners, made of C-profile with hot-dip galvanized and rubber coating, provide the stability. The drive is supplied by a tube motor or a gear motor.

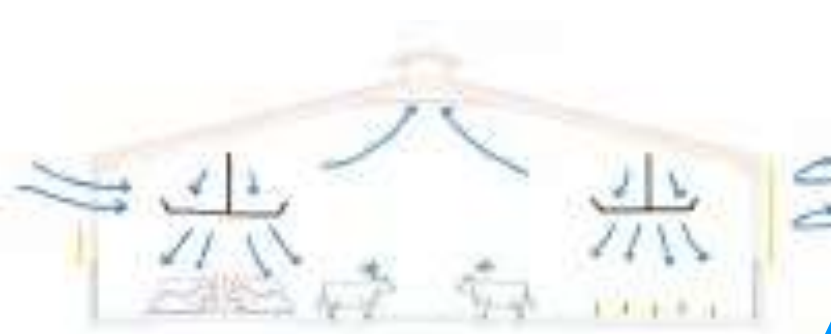




## Most Air Helicopter Type Fan

most

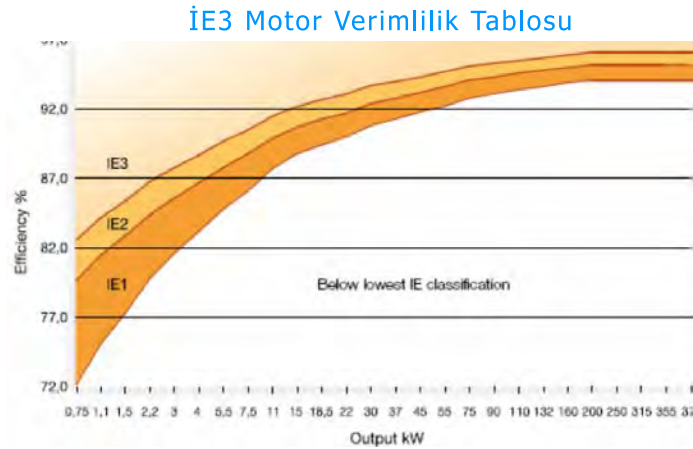
Heat stress and reduced oxygen access cause significant loss of production in animals. It results in loss of both production and reproductive activities, especially in milking animals. This results in substantial yield loss in milking animals and difficulties in ensuring business continuity. Properly positioned and selected fans to prevent yield loss of animals by reducing heat stress and providing oxygen access. Most Air Helicopter fans increase the circulation of air inside the barn.



# Climate Control Healthy Production

[www.mosttek.com](http://www.mosttek.com)

Most Air Helicopter Fans in different sizes and specifications have been designed for the needs of various businesses. All our helicopter fans are equipped with IE3 High-efficiency electric motors. This saves up to 6% of energy compared to regular motors. It provides considerable savings on an annual basis.



## İE3 High Efficient Motor

Most Air Helicopter fans come in various sizes to provide solutions for any business. Options with different ranges and drying areas enable you to select the right equipment for different barn models.

# Climate Control Healthy Production

### Air 250

it is designed for milking parlour and waiting areas. it is designed for narrow spaces and places with high air demand.

#### Technical Features

- Motor Power: 1,5 Kw
- Blade Diameter: 250 cm
- Range: 12 m
- Air Circulation Value : 380.000 m3/h
- Noise: 30 Desibel

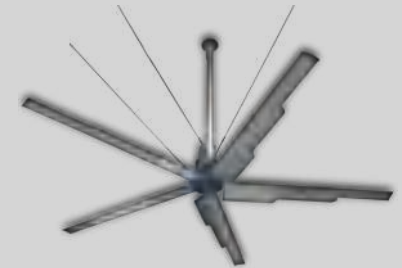


### Air 400

it is especially designed for large areas. Uses for our modern barns with and radius of action is 12 meters.

#### Technical Features

- Motor Power: 0,75 Kw - 1,3 A
- Blade Diameter: 400 cm
- Range: 12 m Cooling, 14 m drying area
- Air Circulation Value : 240.000 m3/h
- Noise: 70 Desibel

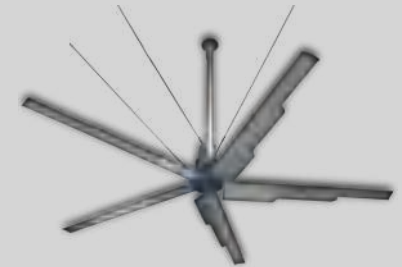


### Air 500

it is especially designed for large areas. Uses for our modern barns with and radius of action is 16 meters.

#### Technical Features

- Motor Power: 1,1 Kw - 2,2 A
- Blade Diameter: 500 cm
- Range: 16 m Cooling, 18 m drying area
- Air Circulation Value : 320.000 m3/h
- Noise: 72 Desibel

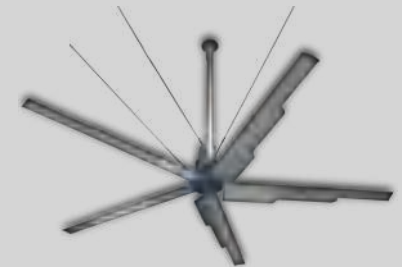


### Air 600

it is especially designed for large areas. Uses for our modern barns with and radius of action is 20 meters.

#### Technical Features

- Motor Power: 1,5 Kw - 3,1 A
- Blade Diameter: 600 cm
- Range: 20 m Cooling, 22 m drying area
- Air Circulation Value : 420.000 m3/h
- Noise: 72 Desibel



# Most Air Action Fans

Most Air Action Fans can be applied in all areas with their easy installation and ergonomic structure.

it provides the necessary ventilation with its two versions depending on the area to be used.



## Most Air 100 Ventilating Fan

Most Air 100 ventilating fans are designed for use in the ventilation of small areas, such as milking parlour, delivery room etc. it can be applied anywhere with its easy installation.

### Technical Features

- Motor Power: 0,55 Kw
- Blade Diameter: 840 mm
- Range: 12 m
- Sizes: 98x98x42 cm
- Number of Fan Blades: 6
- Air Circulation Value: 30.000 m<sup>3</sup>/h

## Most Air 140 Ventilating Fan

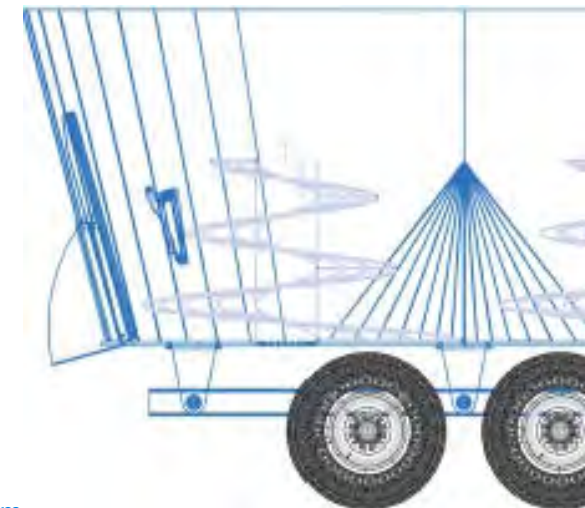
Most Air 140 ventilating fans are designed for use in the ventilation of small areas, such as milking parlour, delivery room etc. it can be applied anywhere with its easy installation.

### Technical Features

- Motor Power: 1,1 Kw
- Blade Diameter: 1240 mm
- Range: 15 m
- Sizes: 138x138x42 cm
- Number of Fan Blades: 6
- Air Circulation Value: 34.500 m<sup>3</sup>/h

# Skyline

power by  
**most**





# Skyline

## Maximum Energy Saving

It saves energy and time due to its excellent design, balanced and proportionally inserted screw spirals.



*engineer work*

# Skyline Professional Series



## Mono P1 Series

4 m<sup>3</sup> - 6 m<sup>3</sup>

Skyline Mono P1 series feed mixer and distribution trailers come with single spiral, single axle, side conveyor, loading bucket and programmable electronic scales as standard.

## Mono P2 Series

8 m<sup>3</sup> - 10 m<sup>3</sup> - 12 m<sup>3</sup>

Skyline Mono P2 series feed mixer and distribution trailers come with single spiral, single axle, front conveyor, loading bucket and programmable electronic scales as standard.

## Double P3 Series

12 m<sup>3</sup> - 14 m<sup>3</sup> - 16 m<sup>3</sup>

Skyline Double P3 series feed mixer and distribution trailers come with double spiral, single axle, front conveyor, and programmable electronic scales as standard.

## Double P4 Series

16 m<sup>3</sup> - 30 m<sup>3</sup>

Skyline Double P4 series feed mixer and distribution trailers come with double spiral, double axle, front conveyor, and programmable electronic scales as standard.

## Stationary S Series

8 m<sup>3</sup> - 50 m<sup>3</sup>

Skyline Stationary S series mixer trailers are introduced along with it wide range of models from 8 m<sup>3</sup> up to 50

# High Standard

Skyline P series feed mixer and distribution trailers offer all features that you will need as a standard. It is available in a variety from 4m<sup>3</sup> up to 26m<sup>3</sup>, for any business.

With its wide product range and high standards, Skyline Stationary S series mixer trailers are designed for businesses of all sizes.





Mono Burgu Sistemi



Double Burgu Sistemi

# *Homogeneous Mixing*

---

The Skyline P series feed mixer and distribution trailers mixer the feed %99 homogeneously with a specially designed bucket and screw spirals. The screw system that facilitates product flow, and bucket structure designed by the screw system ensure the feed to be mixed without being stuck.

Skyline

# *Strong And Robust*

The strong frame of the Skyline P series feed mixer and distribution trailers ensures that the components operate correctly and without errors. The minimizes failures and saves energy. The strong frame design ensures the trailer not to be affected even in adverse conditions.

## Skyline



# Accurate Measurement Correct Ration

X-Type Pro kantar sisteminin göstergesi dinamik ve statik tartım için öngörölmüştür. Basit ve kullanımı kolay olan X-Type Pro kantar sistemi, 50 Rasyon, 30 Hammade, 30 Grup boşaltması ile işletmenizdeki farklı yem rasyonları hazırlamanıza olanak sağlar.

Hareket halinde anahtar bloğuna basarak römorkun içindeki ağırlığı sabitlemem mümkündür.

Tüm bilgiler grafik ekranda görselleştirilir.

## Skyline



### Technical Features

- Red LED Display, 5 digital 40mm height
- Graphic Display 128x64 pixel
- Sensitivity % 0, 1
- ABS Frame
- 1 P 66 Protection class
- 2-Pin Plug-in power input
- 7 Pin Plug-in acoustic alarm
- 5 Pin Plug-in load cell
- Output for remote viewing
- Power supply 12-36 V De
- Power supply (0,5 A /Amper)

### Languages

Turkish, English, German, French, Italian, Spanish, Portuguese,

## Compact Design

The Skyline Mono P1 series feed mixing and distributing trailers come with single spiral, single axles, side conveyor, loading bucket, and programmable electronic scale as standard.



### Key Features

- 1 Screw Spiral
- Under-spiral sweeper
- Fixed Hydraulic adjustable cutting blades
- Hydraulic discharge hatch
- Discharge conveyor belt with height adjustment
- Hydraulic loading bucket
- Autonomus hydraulic system
- Electronic scale system. 12 Programmed
- Hydraulic jacks
- 6mm Bucket in ST 37 quality
- 16mm Floor plate in ST 37 quality
- 12mm Spiral sheet in ST 37 quality
- Rear loading lamp

Model		P1 400	P1 600
Capacity	m3	4	6
Discharge Direction		Right	Right
Discharge Type		Conveyor Belt	
Total Length	m	5600	5690
Total Width	mm	2265	2500
Total Height	mm	2400	2485
Type Size		10x75xR15,3	11,5x75xR11,3
Discharge Height	mm		
Weight	kg	2380	2900
Number of Fixed Cutting Blade	Number	Two Hydraulic Controls	
Number of Blades on Spiral	Number	4	6
Power Requirement	Hp	50	75
PTO Cycle		540/Min	
Scale Measuring Point	Number	3	



## Compact Design

The Skyline Mono P1 series feed mixing and distributing trailers come with single spiral, single axles, side conveyor, loading bucket, and programmable electronic scale as standard.

### Key Features

- 1 Screw Spiral
- 2-Speed Mechanical transmission
- Under-spiral sweeper
- Fixed Hydraulic adjustable cutting blades
- Hydraulic discharge hatch
- Hydraulic loading bucket
- Autonomus hydraulic system
- Electronic scale system. 12 Programmed
- Hydraulic jacks
- 6mm Bucket in ST 37 quality
- 16mm Floor plate in ST 37 quality
- 12mm Spiral sheet in ST 37 quality
- Rear loading lamp



Model		P2 800	P2 1000	P3 1200
Capacity	m3	8	10	12
Discharge Direction			Front Right-Lrft	
Discharge Type			Conveyor Belt	
Total Lenght	m	6020	4920	4920
Total Width	mm	1900/2600	2350/2350	2350/2350
Total Height	mm	2550	2935	2935
Type Sizes		11.5x75xR15.3	400x60xR15,5	400x60xR15,5
Discharge Height	mm			
Weight	kg	3950	4100	4100
Number of Fixed Cutting Blade	Number	2	2	2
Number of Blades on the Spiral	Number	8	9	9
Power Requirement	Hp	75	95	95
PTO Cycle			540/Min	
Scale Measuring Point	Number		3	





# Little Giant

Skyline Double P3 series feed mixer and distribution trailers come with double spiral, single axle, front conveyor and programmable electronic scales as standard.

### Key Features

- 2 Screw Spiral
- 2-Speed Mechanical transmission
- Under-spiral sweeper
- Fixed Hydraulic adjustable cutting blades
- Hydraulic discharge hatch
- Autonomus hydraulic system
- Electronic scale system. 12 Programmed
- Hydraulic jacks
- 6mm Bucket in ST 37 quality
- 20mm Floor plate in ST 37 quality
- 12mm Spiral sheet in ST 37 quality
- Rear loading lamp

Model		P3 1200	P3 1400	P3 1600
Capacity	m3	12	14	16
Discharge Direction		Front Right-Left		
Discharge Type		Conveyor Belt		
Total Length	m	6020	6570	7000
Total Width	mm	2600	2150	2400
Total Height	mm	2550	2750	2650
Tyre Sizes		11.5x75xR15.3	400x60xR15,5	
Discharge Height	mm			
Weight	kg	2300	4920	
Number of Fixed Cutting Blade	Number	2	2	2
Number of Blades on the Spiral	Number	8	9+9	9+9
Power Requirement	Hp	75		
PTO Cycle			540/Min	
Scale Measuring Point	Number		3	



# Perfect Design



Skyline Double P4 series feed mixer and distribution trailers come with double spiral, double axle, front conveyor and programmable electronic scales as standard. It is designed for breeding and dairy businesses with high standards and powerful structure.

## Maximum Energy Saving

- 2 Screw Spiral
- 2-Speed mechanical transmission
- Under-spiral sweeper
- Fixed hydraulic adjustable cutting blades
- Hydraulic discharge hatch
- Electronic scale system
- Hydraulic jacks
- Rear Loading lamp
- Autonomous hydraulic system
- ST 37 kalitede 6 mm Kova
- ST 37 kalitede 20 mm taban sacı
- ST 37 kalitede 12 mm helezon sacı
- Arka yükleme lambası



## Power From *Electricity*

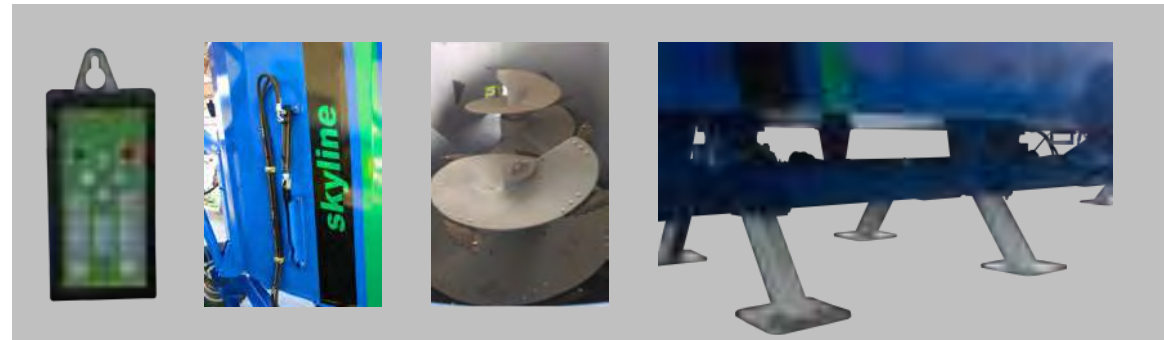


Skyline Stationary S series electric mixer trailers are manufactured on 8 m<sup>3</sup> up to 50 m<sup>3</sup>. They are diversified from 1-twisted system up to 3-twisted system according to its capacity.

Maximum Energy  
Saving

### Key Features

- 2-Speed mechanical transmission
- Under-spiral sweeper
- Fixed hydraulic adjustable cutting blades
- Hydraulic discharge hatch
- Electronic scale system
- Autonomous hydraulic system







# The Future Electricity

Our goal is to bequeate a better world to future generations.

## MPower

Electric Power Unit

The Stationary S series derives its power from the M Power unit. The M Power unit, which varies according to the mixer capacity, offers efficient and cost-saving operation of your fixed mixer through its protection systems.





# Strong and Sturdy Design

Most Spreader S Series solid manure distribution trailers provide the distribution of manure that has come out of the separator or dried to the fields. It provides mobility in the field thanks to its single axle in 5 m<sup>3</sup> trailers and double axle in 10 and 15 m<sup>3</sup> models.

It provides a homogeneous distribution of fertilizer to the field with a fertilizer distribution of up to 16 m.

It can serve for many years with its simple and strong structure. In addition, it can be used in different works with its side opening covers.

### Key Features

- Three different capacity options
- Hydraulically fed from tractor
- Hydraulic brake system
- Hydraulic jack
- Duplex tire
- Team chest
- Spindle driven
- Chain fertilizer conveyor system
- Fertilizer distribution between 4-16 m (varies according to the condition of the fertilizer)

Model		S 500	S 1000	S 1500
Capacity	m <sup>3</sup>	5	10	15
Total Length	mm	6060	7250	7250
Total Widty	mm	2100	2100	2300
Total Height	mm	2300	2400	2600
Height of Chassis Floor From Ground	mm	935	1000	1100
Case Dimensions	mm	1750x3350x1100	1750x4350x1200	2100x4700x1400
Weight	kg	2940	3900	5200
Distributor Drum Feature				
Type		Helezon		
Number of Helix	Number	2		
Number of Conveyors	Number	1		
Chain Thickness	mm	12		
NPU Profile Count	Number	34		
Delivery System		3		
Number of Hydromotors	Number	1		
Distributor Gearbox	Number	3		



# Strong and Quick Design

Most Spreader L Series liquid manure distribution trailers provide the distribution of manure, which has come out of the separator or diluted, to the fields. It provides mobility in the field thanks to its single axle in 5 m<sup>3</sup> trailers and double axle in 10 and 15 m<sup>3</sup> models. With a fertilizer distribution of up to 12 m, it provides a homogeneous distribution of fertilizer to the field. It can serve for many years with its simple and strong structure. As an option, hot-dip galvanized coating of the tank can be made.

### Key Features

- Three different capacity options
- Hydraulically fed from tractor
- Hydraulic brake system
- Hydraulic jack
- Duplex tire
- Team chest
- Spindle driven
- Fertilizer distribution system based on pumped pressure
- Impact fertilizer distribution system
- Optional gun dispensing system
- Warning lamp for use in road conditions
- Clean water tank and soap dispenser

Model		L 500	L 1000	L 1500
Capacity	m <sup>3</sup>	5	10	15
Number of Axles	Number	1	2	2
Total Length	mm	6000	7000	7500
Total Width	mm	2150	2300	2300
Total Height	mm	2750	2900	3000
Ground Clearance of Chassis	mm	1150	1200	1200
Case Dimensions	mm	1440x3400	1800x4400	1900x4900
Weight	kg	2400	3100	3800
Power Requirement	Hp	50-65	65-75	90-110
Distributor Drum Feature				
Type		Impact Plate		
Plate Diameter	mm	100		
Pump Type				
Oiled Crawler				
PTO Transfer	1/min	540		
Underground Equipment			Option	
Top Dispense Gun			Option	

## Merit Group Companies

Most Dairy Tech.	<a href="http://www.mosttek.com">www.mosttek.com</a>
Merit Communication	<a href="http://www.merittelekom.com.tr">www.merittelekom.com.tr</a>
3-D IT	<a href="http://www.3-d.com.tr">www.3-d.com.tr</a>
Telconet	<a href="http://www.telconet.com.tr">www.telconet.com.tr</a>
DVA	<a href="http://www.dva.com.tr">www.dva.com.tr</a>
Avasis Communication	<a href="http://www.avasis.com.tr">www.avasis.com.tr</a>
Merlin Softwale	<a href="http://www.merlinyazilim.com.tr">www.merlinyazilim.com.tr</a>
Agrimilk	<a href="http://www.agrimilk.com">www.agrimilk.com</a>



**most**  
MODERN SÜT TEKNOLOJİLERİ

Canbalı Mah. Çakıllıkuyu Mevkii no:26 (16700)  
Karacabey Bursa TURKEY  
Tel: +90 224 6718572  
Fax: +90 224 6718574  
e-posta: [info@mosttek.com](mailto:info@mosttek.com)