

ER-Bi[®]



Hose & Pipe Clamps



The logo for ER-BI, featuring the letters 'ER-BI' in a bold, white, sans-serif font with a registered trademark symbol, set against a red rectangular background. The background of the entire page is a close-up, artistic photograph of numerous metal hose clamps, some in sharp focus and others blurred, creating a bokeh effect with blue and white highlights.

ER-BI®

Founding

ER-BI is established in 1967 in Istanbul and became a leading company in Turkey about production of hose and pipe clamps. In 2010 KMC Company which is the leader of sheet steel sales in Turkey incorporate ER-BI. Since its foundation and incorporation with KMC, executes production without sacrificing quality, with reasonable prices, within world standards and in line with the requirements of its customers.

Our Mission

Assuming a role in shaping the future of the industry it is involved, maintaining the current position of our company in global competitive conditions and targeting sustainable development, Consistently and markedly boosting the value we add to our customers, employees, community and environment through our efficiency, agility, quality and productivity, Displaying sensitivity towards environment for the sake of creating the future's nature today across the awareness that every individual has the right of living in a healthy and balanced healthy environment.

Our Vision

Constantly expanding our quality, brands and patented products together with our experience and knowledge base, creating values for Turkish and global economy at business ethics and corporate culture standards, and turning out to be a corporation that pioneers the future of the industry.





HER ARIZA
VE AKSAMATI
YETKİLİSİNE
BİLDİRİNİZ

KMC



Production

Our main production consists of hose and pipe clamps manufactured from zinc coated AISI 304 and AISI 430 stainless steel. Besides, our firm produces some special replacement parts made of metal to basic industry factories in automotive and whiteware sector. Our production capacity is 100 million pc/year. With its world class product quality, TUT Kelepçe provides service to various sectors in Turkey and the world starting from automotive far to whiteware sector. Akkardan, Anadolu Motor, Anixter, Arçelik, Baymak, BMC, Robert Bosch, Erkunt, Compenanta, Demirdöküm, Isuzu, İran Traktör, Hema Endüstri, Kordsa, Mako, Siemens, Sigla, Temsa, Tofaş, Türk Traktör, Uzel, Vestel, Vitra are all among our customers.

Sectors Using Our Products

Automotive, Whiteware, Solar Energy Systems, Heavy Machinery, Natural Gas, Construction, Installation, Machine Manufacturing, Urban Signalling Systems, Liquefied Petroleum Gas, Fuel, Agricultural Machine Industry.

Export of Us

Egypt, Morocco, Tunisia, Jordan, Iran, Netherlands, Greece, KKTC (North Cyprus Turkish Republic), Kazakhstan, Romania, Hungary, Italy, Germany, England, Sweeden, Finland, Poland, Belarus and Russia, Mauritius Islands and Liechtenstein are among the countries we execute export.

Patented Products

TR 1999/00863 B	Examined Patent
TR 2002/00689B	Examined Patent
TR 2007/05389Y	Utility Model
TR 2007/07729Y	Utility Model
TR 2008/02231Y	Utility Model
TR 2009/0515B	Unexamined Patent
TR 2011/01684Y	Utility Model
TR 2013/01103	Utility Model
2001/01160	Certificate of Industrial Design

Our Quality

Our firm is the only firm in Turkey and the Middle East having quality management system that provides the requirements of ISO 45001:2018 Worker's Health and Safety IATF 16949:2016 Specifications, ISO 14001:2015 Environmental Management System and UNIEN ISO 9001:2015 Quality Management System.





KMMC
GROUP

Clamps - Fields of Application

White Goods

In the white goods industry, our clamps are employed for sealing purposes in hoses used to convey pressurized water incoming from pump motors inside the machines to destined locations, in hoses that help to discharge waste waters and in inlet-outlet hoses of heaters with high temperature.



Automotive

In the white industry, our clamps are employed in fuel hoses, radiator hoses, air-conditioner hoses, braking systems and air filter systems coupled to the engine. Additionally, our clamps are also used in axle and steering systems.



Agriculture

In the agriculture industry, our clamps are employed in various farming equipment and drip irrigation water hoses for sealing.



Engineering Vehicles

In engineering vehicles, our clamps are safely employed in the inlet-outlet of the pump that generates the power that should be conveyed to pistons, in water hoses, in fuel hoses and in hydraulic hoses hosting flowing oil.

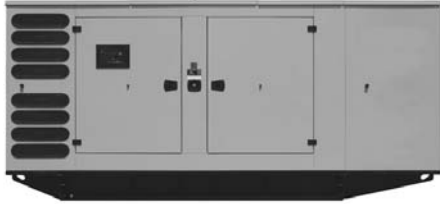


Autogas Systems

In LPG and CNG systems, our clamps are employed for sealing purposes in ventilation hoses that ensure the discharge of any potential gas leak off the vehicle, in multi-valve systems, in fuel tanks, and in gas regulation valves that ensure ideal gas flow to the regulator and engine.



Generator



Our clamps are employed for sealing purposes in motor section of generators running on gasoline, diesel and natural gas, and in chambers holding oil and air hoses.

Gas-Filled Tubes



Our clamps are safely employed for sealing in the inlet and outlet of the hood hose that regulates the pressure of the gas in the tube.

Signalization Systems



In signalization systems, our clamps are employed to directly engage the post and the signalization lights. In addition, our clamps are also employed in illumination systems.

Solar Energy Systems



In solar energy systems, our clamps are employed in the inlet and outlet of hot and water fluids, and in pipes that serve as a switch between the tank and collector. Furthermore, our aluminium clamps are employed to couple the collector to the system.

Other















Our clamps are safely employed in myriad of industries including metal machining, casting shipbuilding, aviation, defence industry, compressor systems, rubber hoses, ventilation systems etc.

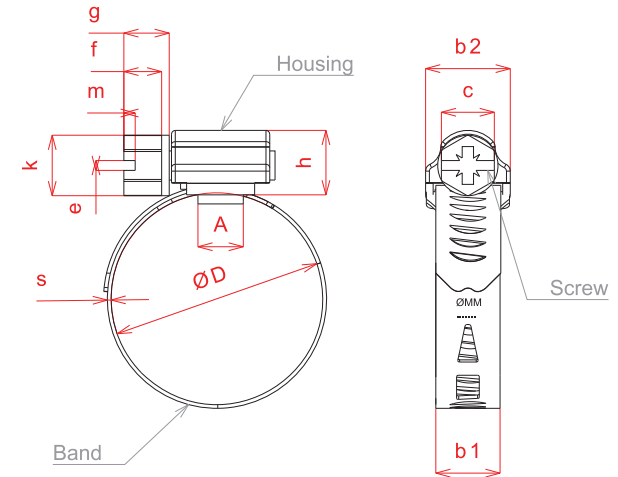


PAGE	TYPE	PAGE	TYPE	PAGE	TYPE
10	A Type Clamps	11	A2 Type Clamps	12	B Type Clamps
13	B Type Cambered Clamps	14	C Type Clamps	15	D Type Clamps
16	D Type Cambered Clamps	17	Spiked Clamps	18	Guide Threaded Spiked Curved Clamps
19	Ribbed Clamps	20	T-Head Ribbed Clamps	21	Exhaust Clamps



PAGE	TYPE	PAGE	TYPE	PAGE	TYPE
21	 Ear Clamps	22	 Strip Clamps	22	 Economic Strip Clamps
22	 Mini-S Clamps	22	 Spring Band Clips	22	 ABC
23	 Double Sided Burst Pipe Clamps	24	 Light Duty Pipe Clamps	25	 Single Sided Pipe Clamps
26	 For PVC Pipe Clamps With Rubber	27	 Sprinkler Clamps	28	 Wood Screws and Dowels

A Type Clamps



Dimensions

Code	Ø D		S ±0.05	b1 ±0.25	b2 ±0.3	c -0.2	k ±0.2	f ±0.3	g ±0.2	h ±0.4	m ±0.2	e ±0.1	A ±0.2
	mm	inch											
A-01	8-13	5/16"-1/2"	0,6										
A-02	10-16	3/8" - 5/8"											
A-03	13-19	1/2" - 3/4"											
A-04	16-23	5/8" - 7/8"											
A-05	18-25	11/16" - 1"											
A-06	19-26	3/4" - 1 1/32"											
A-07	20-30	3/4" - 1 3/16"	0,7	8,5	11,2	6-7	7,1-8,0	5	6	10	1,5	1,3	6
A-08	22-36	7/8" - 1 13/32"											
A-09	25-40	1" - 1" 1/32"											
A-10	25-42	1 3/32" - 1 7/8"											
A-11	28-48	1 1/4" - 2"											
A-12	32-51	1 1/2" - 2 1/4"											
A-13	44-64	1 3/4" - 2 1/2"											
A-14	51-72	2" - 2 7/8"											
A-15	57-76	2 1/4" - 3"											
A-16	65-82	2 18/32" - 3 1/4"											
A-17	76-92	3" - 3 20/32"											

Torque Values

Diameter ØD (mm)	Tightening Torque (Nm)	Breakdown Torque (Nm)	Idle Torque (Nm)
8-13	3	4	0,5
10-16	3	4	0,5
13-19	3	4	0,5
16-23	3,5	4	0,5
18-25	3,5	4	0,5
19-26	3,5	4,5	0,5
20-30	3,5	4,5	0,5
22-36	3,5	4,5	0,5
25-40	3,5	4,5	0,5
25-42	3,5	4,5	0,5
28-48	4	4,5	0,5
32-51	4	4,5	0,5
44-64	4	4,5	0,5
51-72	4	4,5	0,5
57-76	4	4,5	0,5
65-82	4	4,5	0,5
76-92	4	4,5	0,5

Recommended tightening speed 300 rpm.
Available for TS12091-DIN 3017

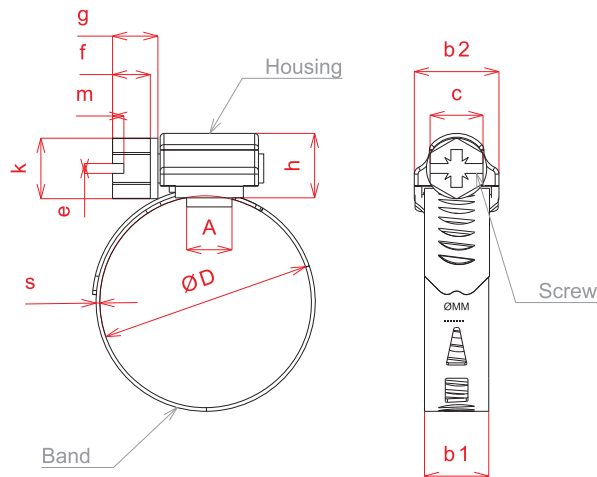
Materials

W1	Band	: 1.0330 [DC01 (C690) Special Steel]
	Cap	: 1.0330 [DC01 (C390) Special Steel]
	Screw	: 1.5525 [(20MnB4) Special Zinc Plated]
	Salt Water Test	: 100 hours
W4	Band & Cap	: 1.4301 [(X5CrNi 18-10) Antimagnetic st/st]
	Screw	: 1.4567 [(X3CrNiCu 18-9-4) Antimagnetic st/st]
	Salt Water Test	: 800 hours

Salt water test is performed regarding ASTM B 117 standards.



A2 Type Clamps



Torque Values

Diameter ØD (mm)	Tightening Torque (Nm)	Breakdown Torque (Nm)	Idle Torque (Nm)
19-26	4,5	5,5	1
20-30	4,5	5,5	1
20-32	4,5	5,5	1
25-42	4,5	5,5	1
28-48	4,5	5,5	1
30-45	4,5	5,5	1
32-50	4,5	5,5	1
38-58	4,5	5,5	1
40-60	4,5	5,5	1
44-64	4,5	5,5	1
50-70	5	6,5	1
60-80	5	6,5	1
70-90	5	6,5	1
80-100	5	6,5	1
85-103	5	6,5	1
90-110	5	6,5	1
100-120	5	6,5	1
110-130	5	6,5	1
115-135	5	6,5	1
120-140	5	6,5	1
130-150	5	6,5	1
140-160	5	6,5	1
146-164	5	6,5	1

Recommended tightening speed 300 rpm.
Available for TS12091-DIN 3017

Dimensions

Code	Ø D		S ±0.05	b1 ±0.25	b2 ±0.3	c -0.2	k ±0.2	f ±0.3	g ±0.2	h ±0.4	m ±0.2	e ±0.1	A ±0.4
	mm	inch											
A2-01	19-26	3/4" - 1 1/32"	0,8	10	12,5	7	8,3	5,8	6,5	11	1,5	1,4	9,4
A2-02	20-30	3/4" - 1 3/16"											
A2-03	23-35	7/8" - 1 13/32"											
A2-04	25-40	1" - 1 21/32"											
A2-05	28-48	1 3/32" - 1 7/8"											
A2-06	30-45	1 3/32" - 1 7/8"											
A2-07	32-50	1 1/4" - 2"											
A2-08	40-60	1 1/2" - 2 1/4"											
A2-09	44-64	1 3/4" - 2 1/2"											
A2-10	50-70	2" - 2 7/8"											
A2-11	57-76	2 1/4" - 3"											
A2-12	60-80	3 18/32" - 3 1/4"											
A2-13	70-90	3" - 3 20/32"											
A2-14	80-100	3 11/32" - 4 1/16"											
A2-15	85-103	3 11/32" - 4 1/16"											
A2-16	90-110	3 20/32" - 4 11/32"											
A2-17	100-120	4 1/8" - 4 3/4"											
A2-18	110-130	4 1/2" - 5 5/16"											
A2-19	115-135	4 1/2" - 5 5/16"											
A2-20	120-140	5 1/8" - 5 3/4"											
A2-21	130-150	5 3/4" - 6 7/16"											
A2-22	140-160	6"											
A2-23	146-164	6"											

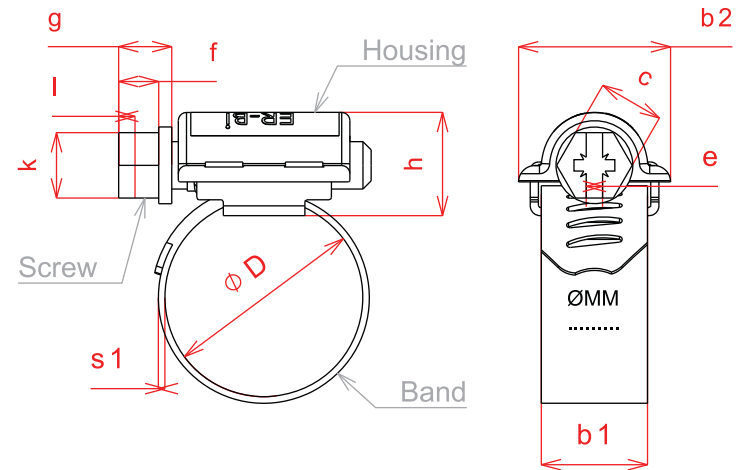
Materials

WI	Band	: 1.0330 [DC01 (C590) Special Steel]
	Cap	: 1.0330 [DC01 (C390) Special Steel]
	Screw	: 1.5525 [(20MnB4) Special Zinc Plated]
	Salt Water Tetest	: 100 hours

Salt water test is performed regarding ASTM B 117 standards.



B Type Clamps



Dimensions

Code	Ø D		s1 ±0.1	b1 ±0.2	b2 ±0.3	c -0.1	e ±0.3	f ±0.3	g ±0.5	h ±0.4	i ±0.1	k ±0.2
	mm	inch										
B1-01	19-26	3/4" - 1 1/32"										
B1-02	20-30	3/4" - 1 3/16"										
B1-03	22-36	7/8" - 1 13/32"										
B1-04	25-42	1" - 1 21/32"										
B1-05	28-48	1 3/32" - 1 7/8"										
B1-06	32-51	1 1/4" - 2"										
B1-07	38-58	1 1/2" - 2 1/4"										
B1-08	44-64	1 3/4" - 2 1/2"										
B1-09	51-72	2" - 2 7/8"	0,7	13	18,6	7-8	1,5	5	7	12	1,8	9,2
B1-10	57-76	2 1/4" - 3"										
B1-11	65-82	2 18/32" - 3 1/4"										
B1-12	76-92	3" - 3 20/32"										
B1-13	85-103	3 11/32" - 4 1/16"										
B1-14	92-110	3 20/32" - 4 11/32"										
B1-15	105-121	4 1/8" - 4 3/4"										
B1-16	115-135	4 1/2" - 5 5/16"										
B1-17	130-146	5 1/8" - 5 3/4"										
B1-18	146-164	5 3/4" - 6 7/16"										

Torque Values

Diameter ØD (mm)	Tightening Torque (Nm)	Breakdown Torque (Nm)	Idle Torque (Nm)
19-26	6	8	1
20-30	6	8	1
22-36	6	8	1
25-42	7	8	1
28-48	7	8	1
32-51	7	8	1
38-58	7	8	1
44-64	7	8	1
51-72	8	9	1
57-76	8	9	1
65-82	8	9	1
76-92	8	9	1
85-103	8	9	1
92-110	8	9	1
105-121	8	9	1
115-135	8	9	1
130-146	8	9	1
146-164	8	9	1

Recommended tightening speed 300 rpm.
Available for TS12091-DIN 3017

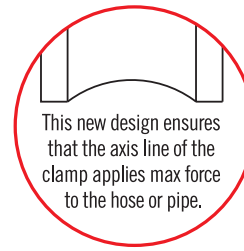
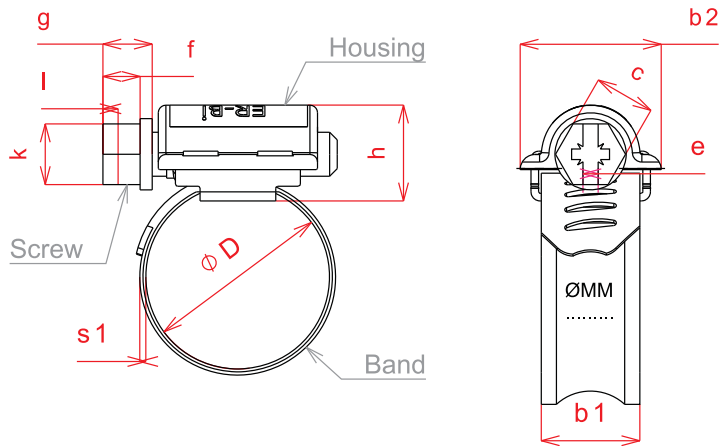
Materials

W1	Band	: 1.0330 [DC01 (C590) Special Steel]
	Cap&Bridge	: 1.0330 [DC01 (C390) Special Steel]
	Screw	: 1.5525 [(20MnB4) Special Zinc Plated]
	Salt Water Test	: 100 hours
W4	Band&Cap&Bridge	: 1.4301 [(X5CrNi 18-10) Antimagnetic st/st]
	Screw	: 1.4567 [(X3CrNiCu 18-9-4) Antimagnetic st/st]
	Salt Water Test	: 800 hours

Salt water test is performed regarding ASTM B 117 standards.



B Type Cambered Clamps



Torque Values

Diameter ØD (mm)	Tightening Torque (Nm)	Breakdown Torque (Nm)	Idle Torque (Nm)
19-26	6	8	1
20-30	6	8	1
22-36	6	8	1
25-42	7	8	1
28-48	7	8	1
32-51	7	8	1
38-58	7	8	1
44-64	7	8	1
51-72	8	9	1
57-76	8	9	1
65-82	8	9	1
76-92	8	9	1
85-103	8	9	1
92-110	8	9	1
105-121	8	9	1
115-135	8	9	1
130-146	8	9	1
146-164	8	9	1

Recommended tightening speed 300 rpm.
Available for TS12091-DIN 3017

Dimensions

Code	Ø D		s1 ±0.1	b1 ±0.2	b2 ±0.3	c -0.1	e ±0.3	f ±0.3	g ±0.5	h ±0.4	i ±0.1	k ±0.2
	mm	inch										
B1-01	19-26	3/4" - 1 1/32"										
B1-02	20-30	3/4" - 1 3/16"										
B1-03	22-36	7/8" - 1 13/32"										
B1-04	25-42	1" - 1 21/32"										
B1-05	28-48	1 3/32" - 1 7/8"										
B1-06	32-51	1 1/4" - 2"										
B1-07	38-58	1 1/2" - 2 1/4"										
B1-08	44-64	1 3/4" - 2 1/2"										
B1-09	51-72	2" - 2 7/8"	0,7	13	18,6	7-8	1,5	5	7	12	1,8	9,2
B1-10	57-76	2 1/4" - 3"										
B1-11	65-82	2 18/32" - 3 1/4"										
B1-12	76-92	3" - 3 20/32"										
B1-13	85-103	3 11/32" - 4 1/16"										
B1-14	92-110	3 20/32" - 4 11/32"										
B1-15	105-121	4 1/8" - 4 3/4"										
B1-16	115-135	4 1/2" - 5 5/16"										
B1-17	130-146	5 1/8" - 5 3/4"										
B1-18	146-164	5 3/4" - 6 7/16"										

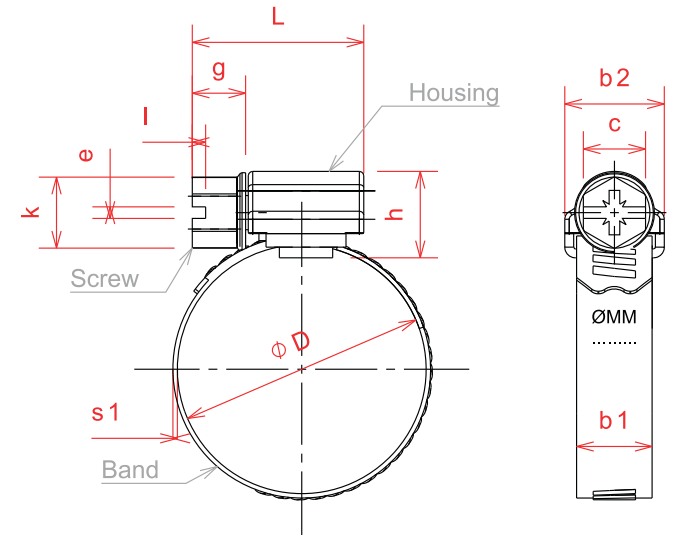
Materials

W1	Band	: 1.0330 [DC01 (C590) Special Steel]
	Cap&Bridge	: 1.0330 [DC01 (C390) Special Steel]
	Screw	: 1.5525 [(20MnB4) Special Zinc Plated]
	Salt Water Teset	: 100 hours
W4	Band&Cap&Bridge	: 1.4301 [(X5CrNi 18-10) Antimagnetic st/st]
	Screw	: 1.4567 [(X3CrNiCu 18-9-4) Antimagnetic st/st]
	Salt Water Test	: 800 hours

Salt water test is performed regarding ASTM B 117 standards.



C Type Clamps



Dimensions

Code	Ø D		L ±0.5	s1 ±0.03	b1 ±0.2	c -0.1	e ±0.1	g ±0.3	h ±0.3	i ±0.1	k ±0.3	b2 ±0.3										
	mm	inch																				
C1-1/01	10-16	3/8" - 5/8"	25																			
C1-1/02	12-20	1/2" - 3/4"																				
C1-1/03	12-22	1/2" - 7/8"																				
C1-1/04	16-25	5/8" - 1"																				
C1-1/05	16-27	5/8" - 1 1/16"																				
C1-1/06	20-32	3/4" - 1 1/4"																				
C2-2/01	23-35	8/9" - 1 3/8"											27	0,7	9,0	7,0	1,3	7,5	9,7	1,5	10,8	11,70
C2-2/02	25-40	1" - 1 5/8"																				
C2-2/03	30-45	1 1/16" - 1 3/4"																				
C2-2/04	32-50	1 1/14" - 2"																				
C2-2/05	40-60	1 5/8" - 2 3/8"																				
C2-2/06	50-70	2" - 2 3/4"																				
C2-2/07	60-80	2 3/8" - 3 1/8"																				
C2-2/08	70-90	2 3/4" - 3 1/2"																				
C2-2/09	80-100	3 1/8" - 4"																				
C2-2/10	90-110	3 1/2" - 4 3/8"																				
C2-2/11	100-120	4" - 4 3/4"																				
C2-2/12	110-130	4 3/8" - 5 1/8"																				
C2-2/13	120-140	4 3/4" - 5 1/2"																				
C2-2/14	130-150	5 1/8" - 5 7/8"																				
C2-2/15	140-160	5 1/2" - 6 1/4"																				

Torque Values

Diameter ØD (mm)	Tightening Torque (Nm)	Breakdown Torque (Nm)	Idle Torque (Nm)
10-16	3,5	4	1
12-20	3,5	4	1
12-22	3,5	4	1
16-25	3,5	4	1
16-27	3,5	4	1
20-32	3,5	4	1
23-35	4	5	1
25-40	4	5	1
30-45	4	5	1
32-50	4	5	1
40-60	4	5	1
50-70	4,5	5	1
60-80	4,5	5	1
70-90	4,5	5	1
80-100	4,5	5	1
90-110	4,5	5	1
100-120	4,5	5	1
110-130	4,5	5	1
120-140	4,5	5	1
130-150	4,5	5	1
140-160	4,5	5	1

Recommended tightening speed 300 rpm.
Available for TS12091-DIN 3017

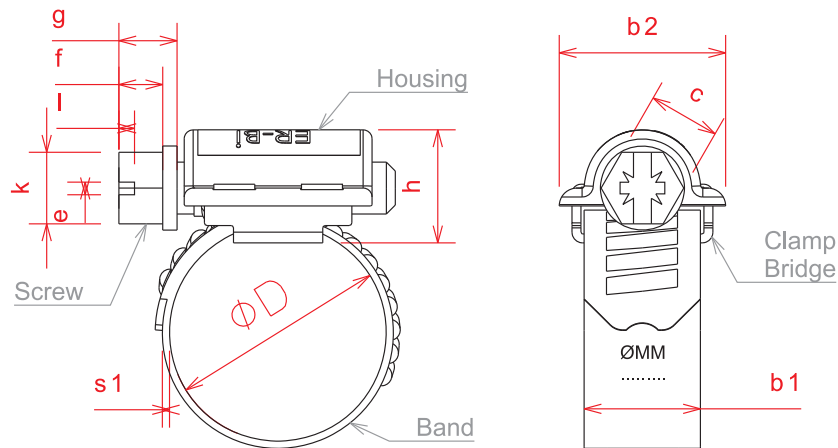
Materials

W1	Band&Cap	: 1.0330 [DC01 (C590) Special Steel]
	Screw	: 1.5525 [(20MnB4) Special Zinc Plated]
	Salt Water Testet	: 100 hours
W2	Band&Cap	: 1.4016 [(X6Cr17) Magnetic st/st]
	Screw	: 1.5525 [(20MnB4) Special Zinc Plated]
	Salt Water Testet	: Screw 200 hours; Band & Cap 400 hours
W4	Band&Cap	: 1.4301 [(X5CrNi 18-10) Antimagnetic st/st]
	Screw	: 1.4567 [(X3CrNiCu 18-9-4) Antimagnetic st/st]
	Salt Water Test	: 800 hours

Salt water test is performed regarding ASTM B 117 standards.



D Type Clamps



Torque Values

Diameter ØD (mm)	Tightening Torque (Nm)	Breakdown Torque (Nm)	Idle Torque (Nm)
19-26	5	6,5	1
20-32	5	6,5	1
23-35	5	6,5	1
25-40	5	6,5	1
30-45	5,5	7	1
32-50	5,5	7	1
40-60	5,5	7	1
50-70	5,5	7	1
60-80	5,5	7	1
70-90	5,5	7	1
80-100	5,5	7	1
90-110	5,5	7	1
100-120	5,5	7	1
110-130	5,5	7	1
120-140	5,5	7	1
130-150	5,5	7	1
140-160	5,5	7	1

Recommended tightening speed 300 rpm.
Available for TS12091-DIN 3017

Dimensions

Code	Ø D		s1 ±0.5	b1 ±0.3	b2 ±0.3	*c -0.1	e ±0.2	f ±0.3	g ±0.3	h ±0.4	i ±0.2	k ±0.2
	mm	inch										
D1-01	19-26	3/4" - 1"	0,7	13	18,6	7 or 8	1,5	5	7,5	12	1,8	9,2
D1-02	20-32	3/4" - 1 1/4"										
D1-03	23-35	8/9" - 1 3/8"										
D1-04	25-40	1" - 1 5/8"										
D1-05	30-45	1 1/6" - 1 3/4"										
D1-06	32-50	1 1/4" - 2"										
D1-07	40-60	1 5/8" - 2 3/8"										
D1-08	50-70	2" - 2 3/4"										
D1-09	60-80	2 3/8" - 3 1/8"										
D1-10	70-90	2 3/4" - 3 1/2"										
D1-11	80-100	3 1/8" - 4"										
D1-12	90-110	3 1/2" - 4 3/8"										
D1-13	100-120	4" - 4 3/4"										
D1-14	110-130	4 3/8" - 5 1/8"										
D1-15	120-140	4 3/4" - 5 1/2"										
D1-16	130-150	5 1/8" - 5 7/8"										
D1-17	140-160	5 1/2" - 6 1/4"										

*c: W1 screw head 8 mm / W2 screw head 7 mm / W4 screw head 8 mm

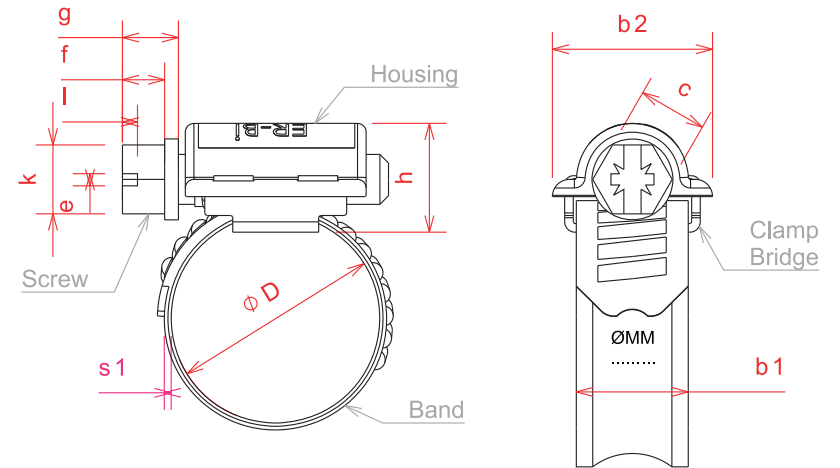
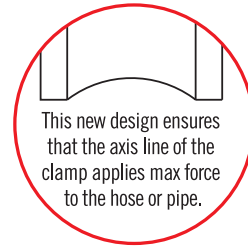
Materials

W1	Band	: 1.0330 [DC03 (C490) Special Steel]
	Cap&Bridge	: 1.0330 [DC03 (C390) Special Steel]
	Screw	: 1.5525 [(20MnB4) Special Zinc Plated]
	Salt Water Test	: 100 hours
W2	Band&Cap&Bridge	: 1.4016 [(X6Cr17) Magnetic st/st]
	Screw	: 1.5525 [(20MnB4) Special Zinc Plated]
	Salt Water Test	: Screw 200 hours; Band & Cap & Bridge 400 hours
W4	Band&Cap&Bridge	: 1.4301 [(X5CrNi 18-10) Antimagnetic st/st]
	Screw	: 1.4567 [(X3CrNiCu 18-9-4) Antimagnetic st/st]
	Salt Water Test	: 800 hours

Salt water test is performed regarding ASTM B 117 standards.



D Type Cambered Clamps



Dimensions

Code	Ø D		s1 ±0.5	b1 ±0.3	b2 ±0.3	*c -0.1	e ±0.2	f ±0.3	g ±0.3	h ±0.4	l ±0.2	k ±0.2
	mm	inch										
D1-01	19-26	3/4" - 1"	0,7									
D1-02	20-32	3/4" - 1 1/4"										
D1-03	23-35	8/9" - 1 3/8"										
D1-04	25-40	1" - 1 5/8"										
D1-05	30-45	1 1/6" - 1 3/4"										
D1-06	32-50	1 1/4" - 2"										
D1-07	40-60	1 5/8" - 2 3/8"										
D1-08	50-70	2" - 2 3/4"										
D1-09	60-80	2 3/8" - 3 1/8"	0,8	13	18,6	7 or 8	1,5	5	7,5	12	1,8	9,2
D1-10	70-90	2 3/4" - 3 1/2"										
D1-11	80-100	3 1/8" - 4"										
D1-12	90-110	3 1/2" - 4 3/8"										
D1-13	100-120	4" - 4 3/4"										
D1-14	110-130	4 3/8" - 5 1/8"										
D1-15	120-140	4 3/4" - 5 1/2"										
D1-16	130-150	5 1/8" - 5 7/8"										
D1-17	140-160	5 1/2" - 6 1/4"										

*c: W1 screw head 8 mm / W2 screw head 7 mm / W4 screw head 8 mm

Materials

W1	Band	: 1.0330 [DC03 (C490) Special Steel]
	Cap&Bridge	: 1.0330 [DC03 (C390) Special Steel]
	Screw	: 1.5525 [(20MnB4) Special Zinc Plated]
	Salt Water Teseet	: 100 hours
W2	Band&Cap&Bridge	: 1.4016 [(X6Cr17) Magnetic st/st]
	Screw	: 1.5525 [(20MnB4) Special Zinc Plated]
	Salt Water Teseet	: Screw 200 hours; Band & Cap & Bridge 400 hours
W4	Band&Cap&Bridge	: 1.4301 [(X5CrNi 18-10) Antimagnetic st/st]
	Screw	: 1.4567 [(X3CrNiCu 18-9-4) Antimagnetic st/st]
	Salt Water Test	: 800 hours

Salt water test is performed regarding ASTM B 117 standards.

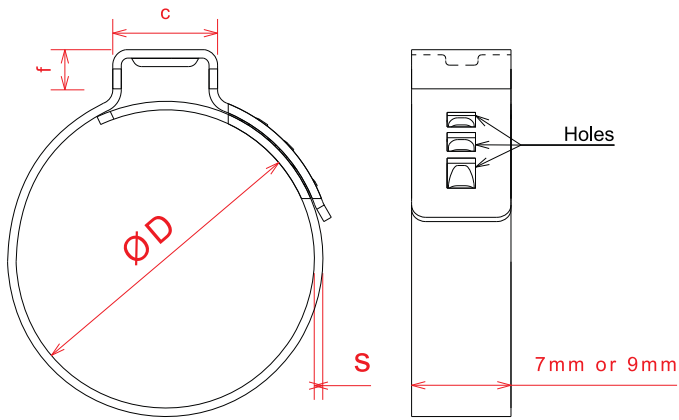
Torque Values

Diameter ØD (mm)	Tightening Torque (Nm)	Breakdown Torque (Nm)	Idle Torque (Nm)
19-26	5	6,5	1
20-32	5	6,5	1
23-35	5	6,5	1
25-40	5	6,5	1
30-45	5,5	7	1
32-50	5,5	7	1
40-60	5,5	7	1
50-70	5,5	7	1
60-80	5,5	7	1
70-90	5,5	7	1
80-100	5,5	7	1
90-110	5,5	7	1
100-120	5,5	7	1
110-130	5,5	7	1
120-140	5,5	7	1
130-150	5,5	7	1
140-160	5,5	7	1

Recommended tightening speed 300 rpm.
Available for TS12091-DIN 3017



Spiked Clamps



If diameter is smaller than Ø20,
c dimension and f dimension will be c: 8.8 mm and f: 3 mm

If diameter is bigger than Ø20,
c dimension and f dimension will be c: 11.5 mm and f: 4.5 mm

Dimensions

Code	ØD mm	c	f	s +0,25	Band Width (mm)
TK1-01	17,5	8,8	3,0	0,75	7
TK1-02	26	11,5	4,5	0,75	7
TK1-03	29	11,5	4,5	0,75	7
TK1-04	31	11,5	4,5	0,75	7
TK1-05	33	11,5	4,5	0,75	7
TK1-06	35	11,5	4,5	0,75	7
TK1-07	37	11,5	4,5	0,75	7
TK1-08	39	11,5	4,5	0,75	7
TK1-09	44	11,5	4,5	0,75	7
TK1-10	55	11,5	4,5	0,75	7
TK1-11	65	11,5	4,5	0,75	7
TK1-12	70	11,5	4,5	0,75	7
TK1-13	74	11,5	4,5	0,75	7
TK1-14	82	11,5	4,5	0,75	7
TK1-15	85	11,5	4,5	0,75	7
TK1-16	87	11,5	4,5	0,75	7
TK1-17	88	11,5	4,5	0,75	7
TK1-18	92	11,5	4,5	0,75	7
TK1-19	94	11,5	4,5	0,75	7
TK1-20	97	11,5	4,5	0,75	7
TK1-21	103	11,5	4,5	0,75	7
TK1-22	105	11,5	4,5	0,75	7

Code	ØD mm	c	f	s +0,25	Band Width (mm)
TK2-01	25	11,5	4,5	0,75	9
TK2-02	26	11,5	4,5	0,75	9
TK2-03	29	11,5	4,5	0,75	9
TK2-04	31	11,5	4,5	0,75	9
TK2-05	33	11,5	4,5	0,75	9
TK2-06	35	11,5	4,5	0,75	9
TK2-07	37	11,5	4,5	0,75	9
TK2-08	39	11,5	4,5	0,75	9
TK2-09	44	11,5	4,5	0,75	9
TK2-10	55	11,5	4,5	0,75	9
TK2-11	65	11,5	4,5	0,75	9
TK2-12	70	11,5	4,5	0,75	9
TK2-13	74	11,5	4,5	0,75	9
TK2-14	82	11,5	4,5	0,75	9
TK2-15	85	11,5	4,5	0,75	9
TK2-16	87	11,5	4,5	0,75	9
TK2-17	88	11,5	4,5	0,75	9
TK2-18	92	11,5	4,5	0,75	9
TK2-19	94	11,5	4,5	0,75	9
TK2-20	97	11,5	4,5	0,75	9
TK2-21	103	11,5	4,5	0,75	9
TK2-22	105	11,5	4,5	0,75	9

Materials

W1	Band	: 1.0226 (Galvanized sheet iron DX510)
	Salt Water Teset	: 72 hours
W2	Band	: 1.4016 [(X6Cr17) Magnetic st/st]
	Salt Water Teset	: 400 hours
W4	Band	: 1.4301 (Antimagnetic st/st 18/10)
	Salt Water Test	: 800 hours

Salt water test is performed regarding ASTM B 117 standards.

Special dimensions can be produced on demand



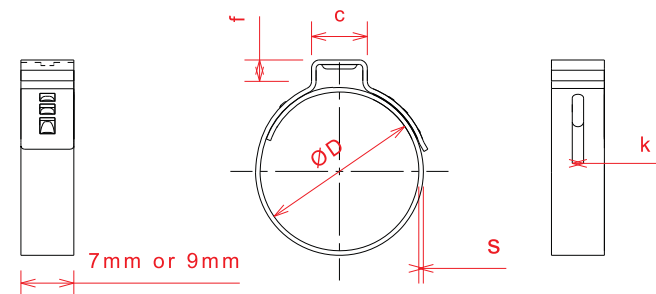
Guide Threaded Spiked Curved Clamps



Dimensions

Code	ØD mm	c ±0,5	f +0,5	k ±0,1	s +0,25	Band Width (mm)
TKE1-01	35	10	4,0	1,5	0,75	7
TKE1-02	36	10	4,0	1,5	0,75	7
TKE1-03	37	10	4,0	1,5	0,75	7
TKE1-04	38	10	4,0	1,5	0,75	7
TKE1-05	39	10	4,0	1,5	0,75	7
TKE1-06	40	10	4,0	1,5	0,75	7
TKE1-07	41	10	4,0	1,5	0,75	7
TKE1-08	42	10	4,0	1,5	0,75	7
TKE1-09	44	10	4,0	1,5	0,75	7
TKE1-10	55	10	4,0	1,5	0,75	7
TKE1-11	65	10	4,0	1,5	0,75	7
TKE1-12	70	10	4,0	1,5	0,75	7
TKE1-13	74	10	4,0	1,5	0,75	7
TKE1-14	82	10	4,0	1,5	0,75	7
TKE1-15	85	10	4,0	1,5	0,75	7
TKE1-16	87	10	4,0	1,5	0,75	7
TKE1-17	88	10	4,0	1,5	0,75	7
TKE1-18	92	10	4,0	1,5	0,75	7
TKE1-19	94	10	4,0	1,5	0,75	7
TKE1-20	97	10	4,0	1,5	0,75	7
TKE1-21	103	10	4,0	1,5	0,75	7
TKE1-22	105	10	4,0	1,5	0,75	7

Code	ØD mm	c ±0,5	f +0,5	k ±0,1	s +0,25	Band Width (mm)
TKE2-01	35	10	4,0	1,5	0,75	9
TKE2-02	36	10	4,0	1,5	0,75	9
TKE2-03	37	10	4,0	1,5	0,75	9
TKE2-04	38	10	4,0	1,5	0,75	9
TKE2-05	39	10	4,0	1,5	0,75	9
TKE2-06	40	10	4,0	1,5	0,75	9
TKE2-07	41	10	4,0	1,5	0,75	9
TKE2-08	42	10	4,0	1,5	0,75	9
TKE2-09	44	10	4,0	1,5	0,75	9
TKE2-10	55	10	4,0	1,5	0,75	9
TKE2-11	65	10	4,0	1,5	0,75	9
TKE2-12	70	10	4,0	1,5	0,75	9
TKE2-13	74	10	4,0	1,5	0,75	9
TKE2-14	82	10	4,0	1,5	0,75	9
TKE2-15	85	10	4,0	1,5	0,75	9
TKE2-16	87	10	4,0	1,5	0,75	9
TKE2-17	88	10	4,0	1,5	0,75	9
TKE2-18	92	10	4,0	1,5	0,75	9
TKE2-19	94	10	4,0	1,5	0,75	9
TKE2-20	97	10	4,0	1,5	0,75	9
TKE2-21	103	10	4,0	1,5	0,75	9
TKE2-22	105	10	4,0	1,5	0,75	9



Materials

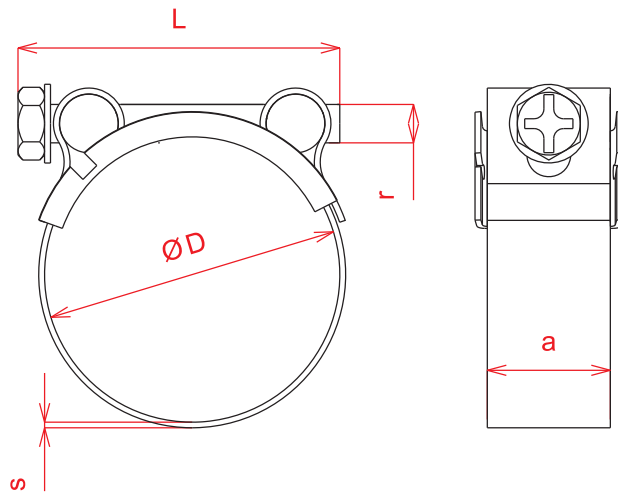
W1	Band	: 1.0226 (Galvanized sheet iron DX510)
	Salt Water Test	: 72 hours
W2	Band	: 1.4016 [(X6Cr17) Magnetic st/st]
	Salt Water Test	: 400 hours
W4	Band	: 1.4301 (Antimagnetic st/st 18/10)
	Salt Water Test	: 800 hours

Salt water test is performed regarding ASTM B 117 standards.



Special dimensions can be produced on demand

Ribbed Clamps



Dimensions

Code	Size Inch	QD Tightening Diameter	L	r	a (mm)	s (mm)
TEK-01		13-15				
TEK-02		15-17				
TEK-03		17-19				
TEK-04		19-21				
TEK-05		21-23				
TEK-06		23-25	47	M6	18	0,8
TEK-07		25-27				
TEK-08		27-29				
TEK-09		29-31				
TEK-10	1"	31-33				
TEK-11		34-36				
TEK-12	1 1/4"	37-40				
TEK-13		41-43	55			
TEK-14	1 1/2"	44-46				
TEK-15		47-51				
TEK-16		52-55				
TEK-17	2"	56-61				
TEK-18		59-65	65			
TEK-19		62-67				
TEK-20		65-71				
TEK-21	2 1/2"	68-74				
TEK-22		72-78				
TEK-23		75-83		M8	25	1,0-1,2
TEK-24	3"	84-91				
TEK-25	3 1/2"	92-102				
TEK-26		100-108				
TEK-27		103-110	75			
TEK-28	4"	110-120				
TEK-29		121-131				
TEK-30	5"	135-145				
TEK-31		145-155				
TEK-32		155-165				
TEK-33	6"	165-175				

Materials

W1	Band & Inner Sheet : 1.0330 [DC01 (C590) Special Steel]
	Screw : 1.5525 [(20MnB4) Special Zinc Plated]
	Salt Water Test : 200 hours
W2	Band & Inner Sheet : 1.4016 [(X6Cr17) Magnetic st/st]
	Screw : 1.5525 [(20MnB4) Special Zinc Plated]
	Salt Water Test : 400 hours

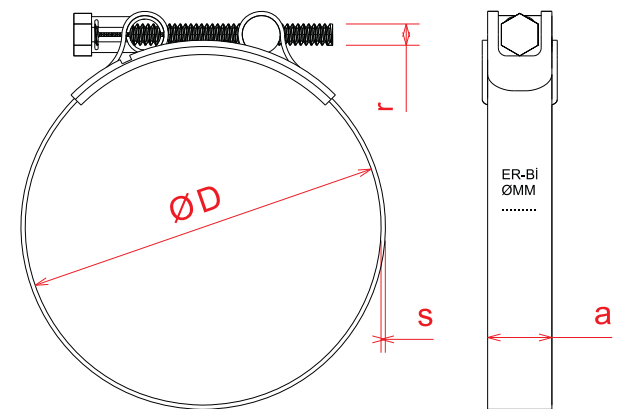


T-Head Ribbed Clamps



Dimensions

Code	Size Inch	QD Tightening Diameter	a (mm)	r	s (mm)
TBT-01		29-31	25	M8	1,0
TBT-02	1"	31-34			
TBT-03		34-37			
TBT-04	1 1/4"	37-40			
TBT-05		40-43			
TBT-06	1 1/2"	43-47			
TBT-07		47-51			
TBT-08		51-55			
TBT-09		55-59			
TBT-10	2"	59-63			
TBT-11		63-68	1,2		
TBT-12	2 1/2"	68-73			
TBT-13		73-79			
TBT-14		79-85			
TBT-15	3"	85-91			
TBT-16		91-97			
TBT-17		97-104			
TBT-18		104-112			
TBT-19	4"	112-121			
TBT-20		121-130			
TBT-21	5"	130-140			
TBT-22		140-150			
TBT-23		150-162			
TBT-24	6"	162-174			
TBT-25		174-187			
TBT-26		187-200			
TBT-27		200-213			
TBT-28		213-226			
TBT-29		226-239			
TBT-30		239-252			



Materials



Band & Inner Sheet	: 1.4301 [(X5CrNi 18-10) Antimagnetic st/st]
Screw	: 1.4567 [(X3CrNiCu 18-9-4) Antimagnetic st/st]
Salt Water Test	: 800 hours



Exhaust Clamps



for tuning



We can produce with polished

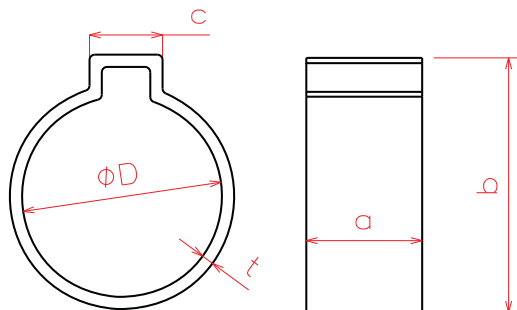
Dimensions

Code	Dimensions Ø mm	Tightening Diameter mm
EXH-00	50.8	47.8
EXH-01	63	60
EXH-02	67	63
EXH-03	73	70
EXH-04	79	76
EXH-05	92	89

All parts are 316 quality stainless steel



Ear Clamps



Dimensions

Dimension Q (mm)	DQ (mm)	t (mm)	a (mm)	b (mm)	c (mm)
7,5-9,5	9,5±0,4	0,70±0,1	6,5±0,3	12,5±0,2	6,5±0,2
9-11	11±0,4	0,70±0,1	6,5±0,3	14,5±0,2	6,5±0,2
11-13	13±0,4	0,70±0,1	6,5±0,3	15,5±0,2	6,5±0,2

Materials



RoHS compliant zinc plated steel (*304 SS integral ring)



304 SS

Strip Clamps



Dimensions

Code	Band Width (mm)	Band	Lock	Mat.
STP-01	9	30 m/roll	50 Qty	W2B
STP-02	9	30 m/roll	50 Qty	W4

Economic Strip Clamps



Dimensions

Code	Band Width (mm)	Band	Lock	Mat.
SEP-01	8	3 m/roll	6 Qty	W4
SEP-02	9	3 m/roll	6 Qty	W2B
SEP-03	12,7	3 m/roll	6 Qty	W2
SEP-04	12,7	3 m/roll	6 Qty	W4
SEP-05	12,7	4,3 m/roll	6 Qty	W4



Special Products

Ask for sizes and MOQ



Mini-S Clamps

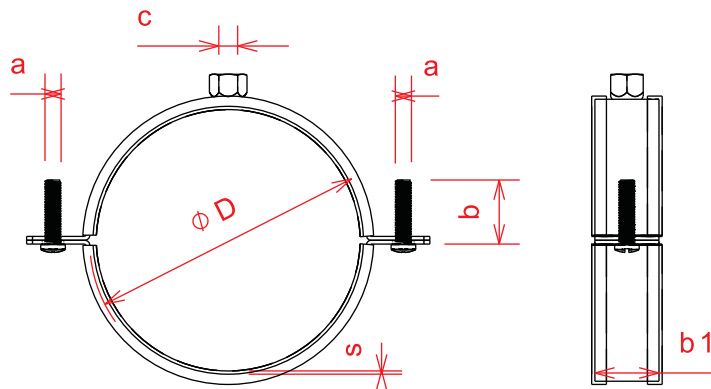


Spring Band Clips



ABC

Double Sided Burst Pipe Clamps



Dimensions

Code	Size (inch)	QD Tightening Range (mm)	c	s x b1 (mm)	a x b
CTPS-01	1/4"	10-14	M8	1,2x20	M6x15
CTPS-02	3/8"	16-18	M8	1,2x20	M6x15
CTPS-03	1/2"	20-24	M8	1,2x20	M6x15
CTPS-04	3/4"	25-29	M8	1,2x20	M6x15
CTPS-05	1"	32-36	M8	1,2x20	M6x18
CTPS-06	1 1/4"	40-46	M8	1,2x20	M6x18
CTPS-07	1 1/2"	48-53	M8	1,2x20	M6x18
CTPS-08	2"	58-63	M8	1,2x20	M6x18
CTPS-09	2 1/2"	73-82	M10	1,5x25	M6x25
CTPS-10	3"	83-95	M10	1,5x25	M6x25
CTPS-17	-	103-110	M10	1,5x25	M6x25
CTPS-11	4"	108-118	M10	1,5x25	M6x25
CTPS-18	-	120-125	M10	2,0x25	M6x30
CTPS-12	5"	134-142	M10	2,0x25	M6x30
CTPS-19	-	146-160	M10	2,0x25	M6x30
CTPS-13	-	158-168	M10	2,0x25	M6x30
CTPS-14	6"	165-175	M10	2,0x25	M6x30
CTPS-20	-	195-200	M10	2,0x25	M6x30
CTPS-15	8"	218-225	M10	2,0x25	M6x30
CTPS-16	10"	268-280	M10	2,0x25	M6x30

Band	Material No: 1.0330 (DC01 Special Steel)
Rubber	EPDM 50 - 55 Shore / PVC / NBR / SBR / Termo Plastic

- We can produce pipe clamps with trifen 7x70 mm, 7x100 mm, and combi nut.
- We can produce without rubber.



Light Duty Pipe Clamps

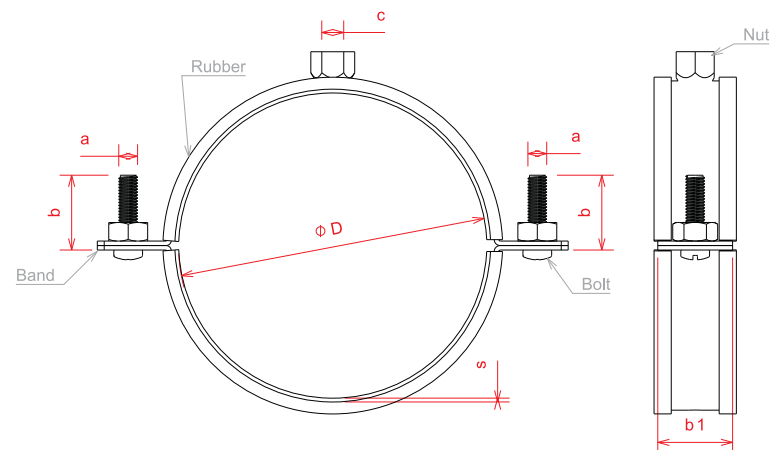


Dimensions

Code	Size (inch)	QD Tightening Range (mm)	c	s x b1 (mm)	a x b
CTHS-01	2 1/2"	73-82	M10	1,5x25	M8x25
CTHS-02	3"	83-95	M10	1,5x25	M8x25
CTHS-03	4"	110-117	M10	1,5x25	M8x25
CTHS-04	5"	134-142	M10	2,0x25	M8x25
CTHS-05	-	158-168	M10	2,0x25	M8x25
CTHS-06	6"	165-175	M10	2,0x25	M8x25
CTHS-07	8"	218-225	M10	2,0x25	M8x25
CTHS-08	10"	268-280	M10	2,0x25	M8x25

Band	Material No: 1.0330 (DC01 Special Steel)
Rubber	EPDM 50 - 55 Shore / PVC / NBR / SBR / Termo Plastic

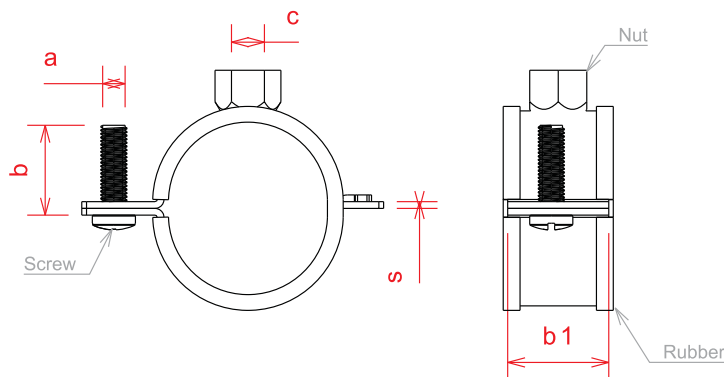
• We can produce pipe clamps with trifen 7x70 mm, 7x100 mm, and combi nut.



Single Sided Pipe Clamps



PATENTED PRODUCT



Dimensions

Code	Size (inch)	QD Tightening Range (mm)	c	s x b1 (mm)	a x b
TTS-01	3/8"	16-18	M8	1,2x22	M5x20
TTS-02	1/2"	20-24	M8	1,2x22	M5x20
TTS-03	3/4"	25-29	M8	1,2x22	M5x20
TTS-04	1"	32-36	M8	1,5x22	M5x20
TTS-05	1 1/4"	40-46	M8	1,5x22	M5x20
TTS-06	1 1/2"	48-53	M8	1,5x22	M5x20
TTS-07	2"	58-63	M8	1,5x22	M5x20

Band	Material No: 1.0330 (DC01 Special Steel)
Rubber	EPDM 50 - 55 Shore / PVC / NBR / SBR / Termo Plastic

- We can produce pipe clamps with triton 7x70 mm, 7x100 mm, and combi nut.
- We can produce without rubber.

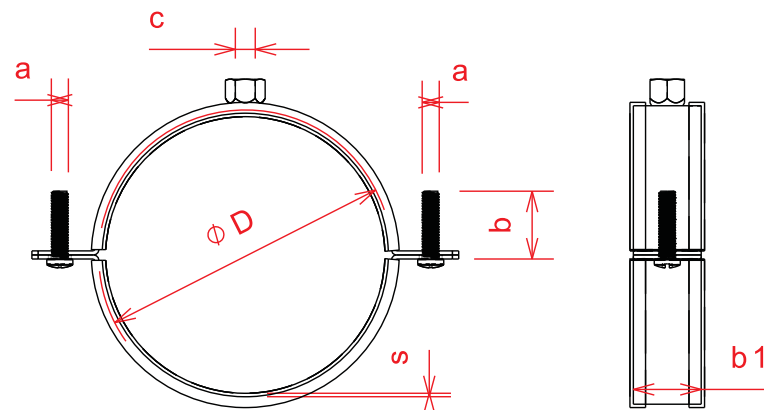


For PVC Pipe Clamps With Rubber



Dimensions

Code	Size (inch)	Tightening Range (mm)	c	s x b1 (mm)	a x b
PSK-01	1/4"	10-14	M8	1,2x20	M6x15
PSK-02	3/8"	15-20	M8	1,2x20	M6x15
PSK-03	1/2"	17-24	M8	1,2x20	M6x15
PSK-04	3/4"	23-29	M8	1,2x20	M6x15
PSK-05	1"	29-35	M8	1,2x20	M6x18
PSK-06	1 1/4"	28-42	M8	1,2x20	M6x18
PSK-07	1 1/2"	45-53	M8	1,2x20	M6x18
PSK-08	2"	55-65	M8	1,2x20	M6x18
PSK-09	2 1/2"	68-80	M10	1,5x25	M6x25
PSK-10	3"	83-95	M10	1,5x25	M6x25
PSK-11	4"	103-110	M10	1,5x25	M6x25
PSK-12	5"	120-125	M10	2,0x25	M6x30
PSK-13	6"	146-160	M10	2,0x25	M6x30
PSK-14	-	158-168	M10	2,0x25	M6x30
PSK-15	8"	195-200	M10	2,0x25	M6x30
PSK-16	10"	255-270	M10	2,0x25	M6x30

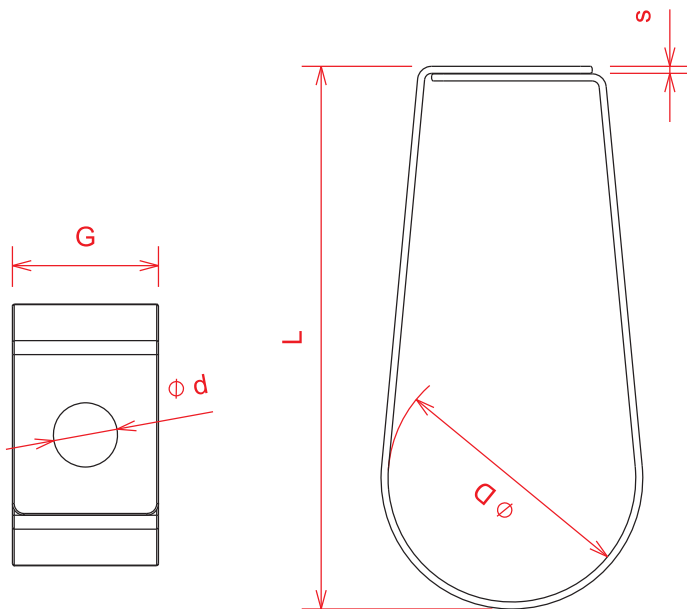


Band	Material No: 1.0330 (DC01 Special Steel)
Rubber	EPDM 50 - 55 Shore / PVC / NBR / SBR / Termo Plastic

• We can produce pipe clamps with triton 7x70 mm, 7x100 mm, and combi nut.



Sprinkler Clamps



Dimensions

Code	Size (inch)	QD Tightening Range (mm)	s x G (mm)	Ød (mm)	L (mm)
SAK-01	1/2"	28	1,2x25	10,5	67
SAK-02	3/4"	30	1,2x25	10,5	71
SAK-03	1"	36	1,2x25	10,5	82
SAK-04	1 1/4"	46	1,2x25	10,5	92
SAK-05	1 1/2"	52	1,2x25	10,5	100
SAK-06	2"	66	1,2x25	10,5	115
SAK-07	2 1/2"	78	2,5x25	10,5	140
SAK-08	3"	92	2,5x25	10,5	166
SAK-09	4"	116	2,5x25	10,5	205
SAK-10	5"	142	3,0x30	12,5	250
SAK-11	6"	170	3,0x30	12,5	280
SAK-12	8"	222	3,0x30	12,5	400
SAK-13	10"	275	3,0x30	12,5	495
Band	Material No: 1.0330 (DC01 Special Steel)				

Wood Screws and Dowels

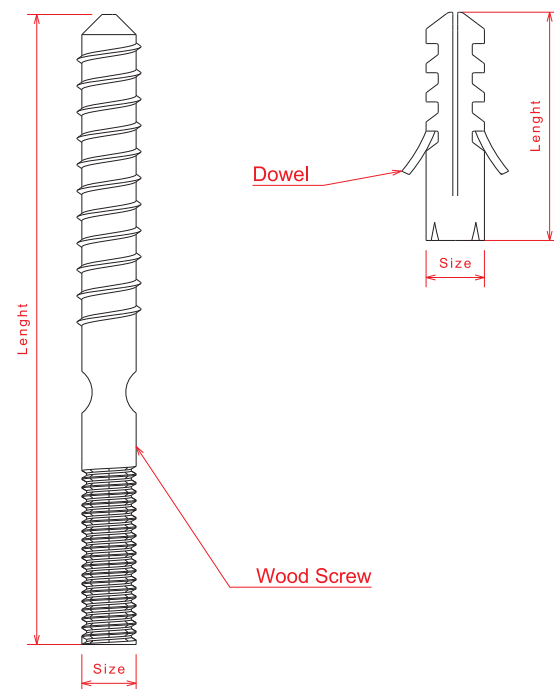


Wood Screws Dimensions

Code	Size	Length (mm)
TAD-01	M8	80
TAD-02	M8	100
TAD-03	M8	120
TAD-04	M10	80
TAD-05	M10	100
TAD-06	M10	110
TAD-07	M10	120

Dowels Dimensions

Code	Size	Length (mm)
BDM-01	M6	30
BDM-02	M7	35
BDM-03	M8	40
BDM-04	M10	45
BDM-05	M12	55
BDM-06	M14	60





KMC
STEEL SERVICE CENTER

Global Trader & 600.000 tons/year
Kayseri & Kocaeli / TURKEY
www.kmc.com.tr



meko METAL

Profile Producer & 100.000 tons/year
İzmir & Kocaeli / TURKEY
www.mekometal.com.tr



MGE
METAL DEVELOPMENT INDUSTRY

Steel Service Center & Cold Rolling Mill Plant
64.000 tons/year & Kocaeli / TURKEY
www.mge.com.tr



ER-Bİ

Clamp and Special Part Producer
100.000.000 pcs/year & Kocaeli / TURKEY
www.erbiclamps.com



Goktas

Steel Service Center
Cold Rolling Plant - Profile Producer
110.000 tons/year & Kocaeli / TURKEY
www.goktasmetal.com

KMC
GROUP

HAS CLOSE TO MILLION
METRIC TONS TRADING VOLUME



Hose & Pipe Clamps

ER-Bİ Bağlantı Teknolojileri ve Kalıp San. Tic. A.Ş.

☉ Gebze Güzeller OSB, İnönü Mah.
Fatih Sultan Mehmet Cad. No:5/2
Gebze - KOCAELİ / TÜRKİYE

☎ +90 262 641 94 30 pbx

☎ +90 262 641 75 66

✉ info@erbi.com.tr

🌐 www.erbiclamps.com

KMC
GROUP

KMC
STEEL SERVICE CENTER

ZEREN
GAYRİMENKUL

neke
METAL

ER-Bİ

Göktas

MGE
METAL GELİŞTİRME ENJİNERİ

