



İthalat İhracat Pazarlama San. ve Tic. Ltd. Şti.



**METAL GARBAGE CONTAINERS**

**ZERO WASTE PICKS**

**PLASTIC GARBAGE CONTAINERS**

**ZERO WASTE BIN SET**

**ABOVEGROUND & UNDERGROUND CONTAINER**

**MEDICAL WASTE BUCKETS**

**WASTE BRINGING CENTERS**

**OUTDOOR WASTE BUCKETS**

[www.zeyrekkonteyner.com](http://www.zeyrekkonteyner.com) - [www.zeyrekkonteyner.com.tr](http://www.zeyrekkonteyner.com.tr)

## ABOUT US

We are Zeyrek Konteyner company from İstanbul, Turkey. And For many years, Zeyrek Konteyner has been serving in the manufacturing of high-quality garbage bins, metal garbage containers, trash cans made of stainless steel, metal with electrostatic oven painting, and plastics. with the motto of a clean and green environment. This long marathon started in 1985 and continues today with our expert staff. Since its establishment, it has been devotedly serving with important designs and projects. We carry out our production with new technology machines and experienced technical staff.

Our goal since our establishment is to manufacture the best quality products. Our products are offered to local governments, official institutions, and mass housing areas. And all of our products are under warranty of 1 year. Our company, which has been serving throughout the country, has grown more every day and has proven itself in this sector by gaining an important place in its field. It should be emphasized that Zeyrek Konteyner company continues to grow by taking firm steps towards the future with its experienced, and knowledgeable staff and offering our customers the best quality products by increasing their varieties.

If you require any type of garbage container. Recycling bins and Ashtrays are made of metal, plastic, and stainless steel. Please see our catalogs in the email attachment or our E-catalog links listed below for more products. And please reply to me with your preferred product number and quantity so that we can provide you with the quotation and your required information.





### 120 L. Metal Waste Bin

HEIGHT 900 mm

DEPTH 400 mm

WIDTH 400 mm

COLORS



#### FEATURES

\*Container is manufactured from A-quality galvanized steel.

\*Body mouth is translated with 2.00 mm profile.

\*Two 200 mm diameter castors are used.

\*Mounted using gas welding.

\*International CE Standard Conformity Certificate.



### 240 L. Metal Waste Bin

HEIGHT 1025 mm

DEPTH 460 mm

WIDTH 460 mm

COLORS



#### FEATURES

\*Container is manufactured from A-quality galvanized steel.

\*Body mouth is translated with 2.00 mm profile.

\*Two 200 mm diameter castors are used.

\*Mounted using gas welding.

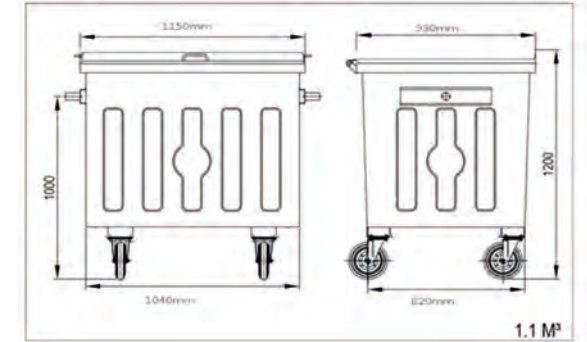
\*International CE Standard Conformity Certificate.



## 1100 L. Galvanized Metal Waste Container with Flat Lid

### FEATURES

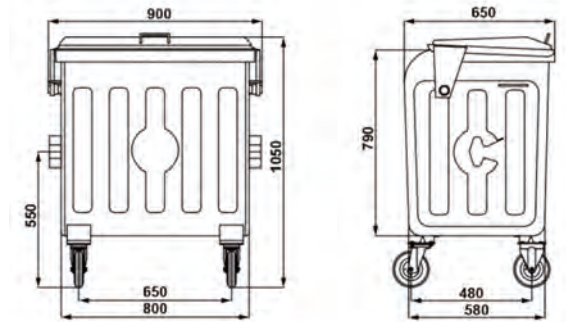
- \*Body sheet thickness is 1,50 mm.
- \*The cover sheet is made of a 1,20 mm sheet, considering it's lightweight.
- \*Desired logo; It is written/printed on the front of the container.
- \*Lifting arms are suitable for garbage truck lifting systems.
- \*Container lifting arms are made of 16 mm iron.
- \*Wheels 200\*50 in size.
- \*4 of the wheels rotate 360 degrees and 1 of them has a brake.
- \*Wheel connection sheet is 4 mm.
- \*Our containers are welded with slag-free gas metal arc welding.
- \*All of our products used in our containers are of first quality and TSE certified.
- \*Dimensions:
- \*Weight: 95 Kg
- \*Upload Weight: 600 Kg
- \*Height: 1100 mm
- \*Width: 1100 mm
- \*Depth: 950 mm
- \*Our dimensions are excluding wheels.



## 1100 L. Galvanized Metal Waste Container with Dome Lid

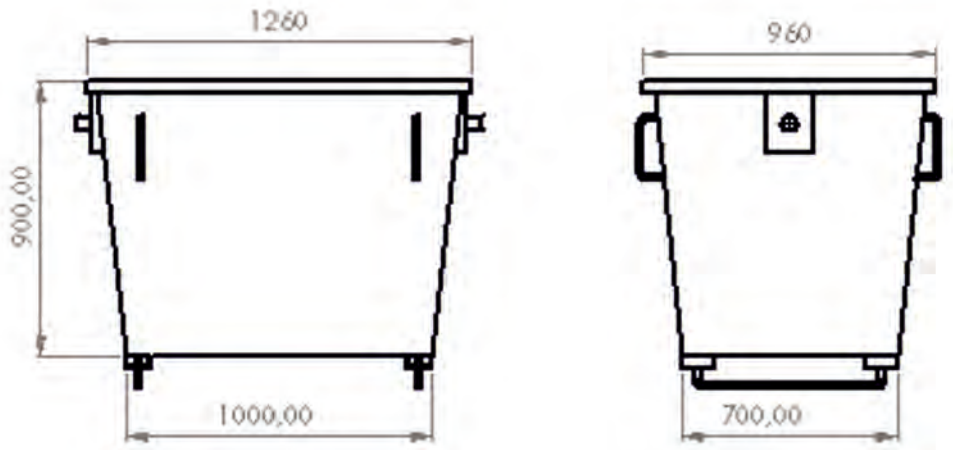
### FEATURES

- \*Body is made of sheet 1.50 mm.
- \*Lid is made of sheet 1.20 mm.
- \*Desired logo; It is written/printed on the front of the container.
- \*The body and lid have been given a strength-enhancing form.
- \*Lid handles are 3.00 mm.
- \*Cover movement is coil spring.
- \*There is 1 stop mechanism on the lid.
- \*There is lastic profile on the lid mouth.
- \*There is the wheel connection foot sheet.
- \*The wheel connection foot sheet is 4.00 mm.
- \*The carrier is equipped with 4 wheels in the size of 200x50 with 360 swivels and 2 wheels brakes in accordance with TS EN 12532 standard.





1000 Liter Galvanized Trash Container



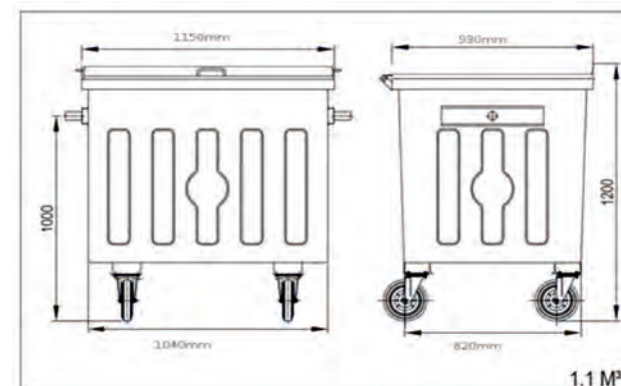
You can visit our website for different model products.



## 1100 L. Galvanized Metal Waste Bin with Plastic Lid

### FEATURES

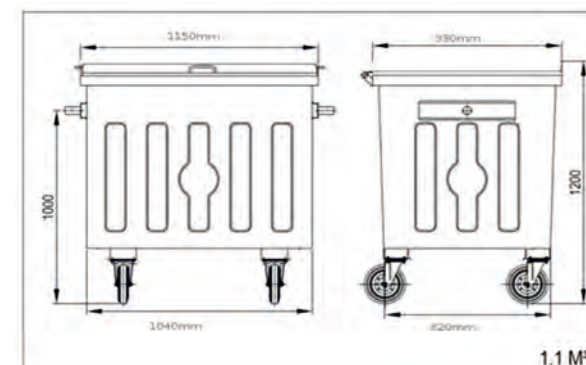
- \*Body sheet thickness is 1,50 mm. Lid is plastic lid.
- \*Desired logo; It is written/printed on the front of the container.
- \*Lifting arms are suitable for garbage truck lifting systems. Container lifting arms are made of 16 mm iron.
- \*Wheels 200\*50 in size.
- \*4 of the wheels rotate 360 degrees and 2 of them has a brake.
- \*Wheel connection sheet is 4 mm.
- \*Our containers are welded with slag-free gas metal arc welding.
- \*All of our products used in our containers are of first quality and TSE certified.
- \*Dimensions:
- \*Height: 1100 mm
- \*Width: 1100 mm
- \*Depth: 950 mm
- \*Our dimensions are excluding wheels.



## 1100 L. Galvanized Metal Waste Bin with Plastic Lid

### FEATURES

- \*Body sheet thickness is 2,00 mm. Lid is plastic lid.
- \*Desired logo; It is written/printed on the front of the container.
- \*Lifting arms are suitable for garbage truck lifting systems. Container lifting arms are made of 16 mm iron.
- \*Wheels 200\*50 in size.
- \*4 of the wheels rotate 360 degrees and 2 of them has a brake. Wheel connection sheet is 4 mm.
- \*Our containers are welded with slag-free gas metal arc welding.
- \*All of our products used in our containers are of first quality and TSE certified.
- \*Dimensions:
- \*Height: 1100 mm
- \*Width: 1100 mm
- \*Depth: 950 mm
- \*Our dimensions are excluding wheels.



You can visit our website for different model products.



**660 Lt.**

**A: 119 cm B: 136 cm C: 78 cm  
D: 108 cm E: 20 cm**



**770 Lt.**

**A: 135 cm B: 136 cm C: 78 cm  
D: 108 cm E: 20 cm**

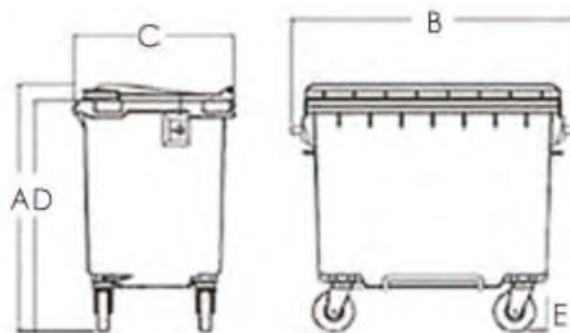


**1100 Lt.**

**A: 128 cm B: 126 cm C: 106 cm  
D: 118 cm E: 20 cm**



**1100 Lt.**



**1100 Lt.**

**A: 128 cm B: 126 cm C: 106 cm  
D: 118 cm E: 20 cm**



**FEATURES**

- \*The raw material used is resistant to sunlight, heat and cold.
- \*4 brakes with 2 brakes and 2 brakes.
- \*Products are intertwined.
- \*Pedal can be added optionally.
- \*Waste cover can be added on request
- \*Optional magnetic lock system can be added.
- \*Wheel dimensions can be changed upon request.
- \*Recyclable when the task ends.
- \*% 100 compatible with Municipality Garbage Truck Loading systems.
- \*Leak-proof feature has been proven by tests.
- \*Retains color does not fade.
- \*Available in 10 alternative colors.
- \*International CE Standard Conformity Certificate.

You can visit our website for different model products.

## 1100 L Dome Lid



### FEATURES

Body and lid of the container are one piece injection moulded of High Density Polyethylene (HDPE).

The raw material is of high quality, resistant to acids, alkalis, detergents, temperature changes and the combined action of water and UV rays.

Smooth internal surface.

Standard colours: green, grey, blue, brown. Other colours by request. Colouring is obtained directly by the raw material during the moulding.

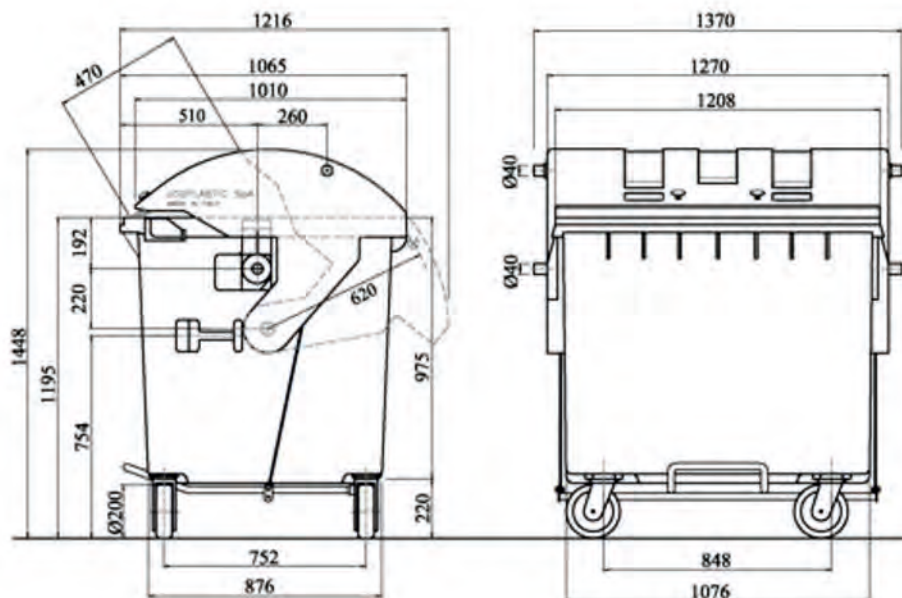
Dyes used to guarantee the longevity of colour are stabilized against atmospheric agents and U.V. rays.

Moreover, according to the environmental policy of Jcoplastic S.p.A., they are free from heavy metals (cadmium, lead, etc.) or any other toxic substances which can be dangerous for our environment.

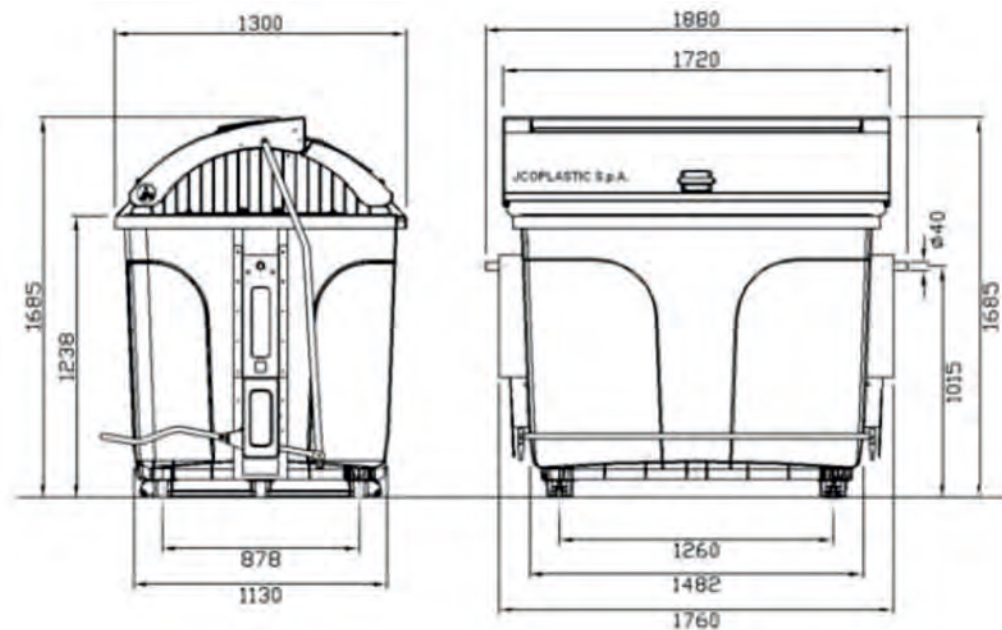
**610 X 80 / 610 X 170**



**600 X 80 / 850 X 180**



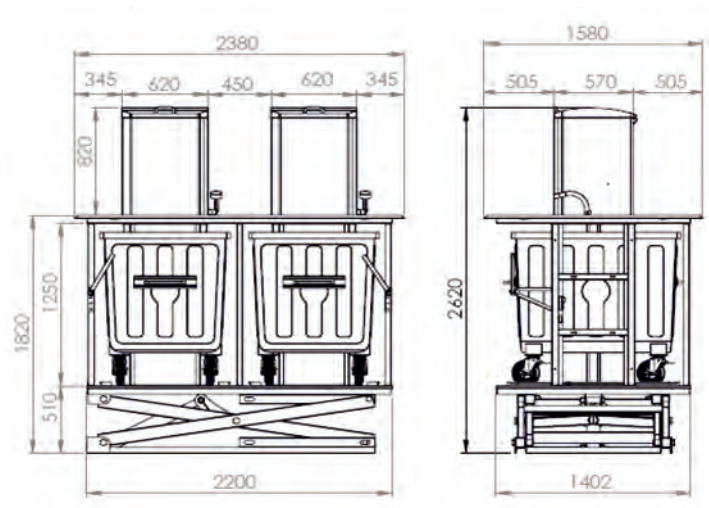
W: 64,5 KG



W: 154 KG

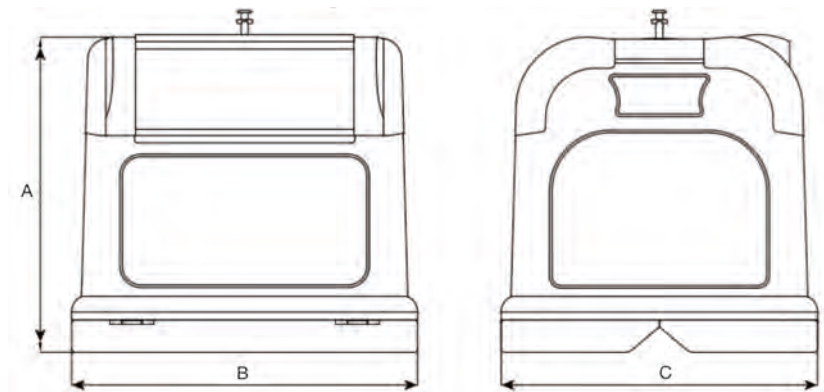
You can visit our website for different model products.





### FEATURES

- \*The jack container system allows municipalities to use the existing garbage collection vehicles and allows the garbage to be taken underground. Besides an environmentally friendly, aesthetic and modern urban furniture image, it provides comfortable use. Only the garbage disposal chimney is visible above the ground, the main containers are located underground.
- \*Connection is made to the jacked underground container system with a jacked hose taken from the control of the compressed garbage truck.
- It has been manufactured in such a way that the garbage containers can be brought to the ground level and emptied, thanks to the lift platform, when the 2 x 1100 Lt. inner container needs to be emptied or the system needs to work for any other reason.
- \*The upper walking platform is made of tear-patterned sheet metal, which is strong enough for people to walk on easily.
- \*The underground container system is manufactured in European Standards to be used for domestic waste and is designed for long-term use.
- \*Containers upon request; It can be made in color tones compatible with the environment (Ral color) or with sticker coating with different flue options.
- \*One-piece poured concrete socket is reinforced with C35 quality and water-proof concrete and ribbed rebar are used.
- \*International CE Standard Conformity Certificate.



### 2500 LT.

**A: 160 cm B: 125 cm C: 160 cm**  
**300 KG.**

### 3000 LT.

**A: 160 cm B: 145 cm C: 160 cm**  
**350 KG.**

### 3750 LT.

**A: 160 cm B: 175 cm C: 160 cm**  
**400 KG.**

You can visit our website for different model products.



## Packaging Waste Piggy Bank Type - 2

### FEATURES

- 1- Waste Money Box Systems, Recycling of recyclable waste materials to the country's economy with various recycling methods is extremely important in terms of efficient use of natural resources and protection of nature.
- 2- It allows different waste groups (such as paper, metal, glass, plastic, food and garden wastes) to be separated at the source and collected according to their own characteristics.
- 3- Collecting waste groups with piggy bank systems developed according to their characteristics, increases the amount of recycling collection and the quality of waste.
- 4- The Piggy Bank System is designed in such a way that it does not allow any waste to be taken through the waste cover with the front locked cover and the emptying.



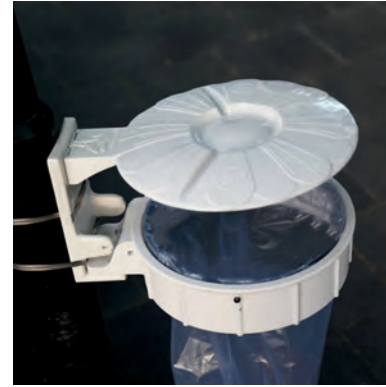
## Packaging Waste Money Box Systems (3000-3500 Lt.)

### FEATURES

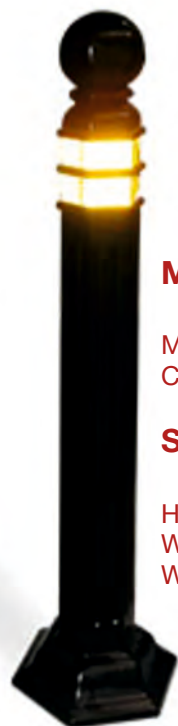
- \*Waste Money Box Systems are extremely important in terms of bringing recyclable waste materials back to the country's economy with various recycling methods, efficient use of natural resources and protection of nature.
- \*It allows different waste groups (such as paper, metal, glass, plastic, food and garden wastes) to be separated at the source and collected according to their own characteristics.
- \*Collecting waste groups with piggy bank systems developed according to their characteristics, increases the amount of recycling collection and the quality of waste.
- \*Waste Money Box Systems are compatible with all kinds of crane lifting and unloading systems.
- \*The Piggy Bank System does not allow any waste to be taken through the waste cover, although the bottom discharge covers are hidden.

It is designed in such a way that it does not allow

You can visit our website for different model products.



Composit Waste Bin - For outdoor use; Composite dustbin that easily mounts on poles and walls. Composite Hexagonal Boundary Element



**MATERIAL**

Metal  
Composit Plastic

**SIZE**

Height : 819 mm  
Width : 215 mm  
Weight : 10 kg



You can visit our website for different model products.

## 2nd CLASS WASTE CENTER



- \*Our products are suitable for 2nd Class Waste Collection Centers.
- \*In the manufacture of our Waste Retrieval Centers, which are manufactured using first-class raw materials, methods that increase the durability period have been applied.
- \*Waste Collection Centers are manufactured to be resistant to heat, cold and rain and are completely painted with static paint.
- \*On our products, the stickers you want, which have been approved by the municipalities, can be applied.
- \*In our Waste Retrieval Centers, the side sections on the profile frame are produced as 2mm sheet metal. The sheet metal parts on the base and on the side are 3mm thick.
- \*At the same time, waste disposal drums are produced from Galvanized Sheet.
- \*There are 4 660 Liter, 2 240 Liter Waste Boxes and 1 Battery Waste Box inside.
- \*The height of the drum cover handle from the ground is between 1550 and 1630 mm.
- \*Door dimensions are manufactured at a height of 900 to 1740 mm.
- \*There are concealable ramps and doors on both sides.
- \*Width : 4800 mm Width : 1600 mm Height : 1865 mm



## 3rd CLASS WASTE CENTER

- \*Our products are suitable for 3rd Class Waste Collection Centers.
- \*In the manufacture of our Waste Retrieval Centers, which are manufactured using first-class raw materials, methods that increase the durability period have been applied.
- \*Waste Collection Centers are manufactured to be resistant to heat, cold and rain and are completely painted with static paint.
- \*On our products, the stickers you want, which have been approved by the municipalities, can be applied.
- \*In our Waste Retrieval Centers, the side sections on the profile frame are produced as 2mm sheet metal. The sheet metal parts on the base and on the side are 3mm thick.
- \*At the same time, waste disposal drums are produced from Galvanized Sheet.
- \*There are 2 660 Liter, 2 240 Liter Waste Boxes and 1 Battery Waste Box inside.
- \*The height of the drum cover handle from the ground is between 1550 and 1630 mm.
- \*Door dimensions are manufactured at a height of 900 to 1740 mm.
- \*There are concealable ramps and doors on both sides.
- \*Width : 3100 mm Width : 1600 mm Height : 1865 mm

## 7 SECTION POLYESTER MOBILE WASTE CENTER



\*Waste Retrieval Center will be manufactured according to the dimensions in the technical drawing below.

\*The body will be formed by applying 3 layers of GRP polyester. The properties of polyester are; Isotonic/NPG based acrylic modified accelerator, resistant to all kinds of chemicals, including acid, base and chlorinated water, is not affected by temperatures up to 215 degrees for short periods, does not show fatigue and cracking, especially in temperature changes, is very durable in terms of yellowing, fading and dulling, and is also aesthetically most durable. A high level of performance can be achieved by coloring gel jeans with pigment, 1 layer of 450 gr/m2 light, 2 layers of fiber layer, with Fiber type polyester material with high mechanical strength developed for general purpose GRP applications.

## 5 SECTION POLYESTER MOBILE WASTE CENTER



\*Waste Retrieval Center will be manufactured according to the dimensions in the technical drawing below.

\*The body will be formed by applying 3 layers of GRP polyester. The properties of polyester are; Isotonic/NPG based acrylic modified accelerator, resistant to all kinds of chemicals, including acid, base and chlorinated water, is not affected by temperatures up to 215 degrees for short periods, does not show fatigue and cracking, especially in temperature changes, is also very durable in terms of yellowing, fading and dulling, and is also aesthetically pleasing. Activation material that does not provide static electricity and conductivity is created by coloring 1 layer of 450 gr/m2 light 2 layers of fiber layer with a high mechanical strength Fiber type polyester material developed for general purpose GRP applications by coloring it with a gel denim pigment that can provide a high level of performance.

\*The waste disposal system of the Waste Retrieval Center will be in the form of rear discharge.

\*There will be seven plastic garbage containers at the openings of the Waste Retrieval Center.

\*The texts to be determined by our institution and the texts requested within the scope of the "Zero Waste Project" will be applied on the outer surface of the Waste Retrieval Center as original paint or cladding. In addition, the letter "Mobile Waste Retrieval Center" will be written on the front surface  
\*There will be a sliding LED text screen with a minimum length of 89 cm at the top of



80 Lt.

A: 77 cm B: 48 cm C: 54 cm  
D: 61 cm E: 20 cm



120 Lt.

A: 94 cm B: 48 cm C: 54 cm  
D: 87 cm E: 20 cm



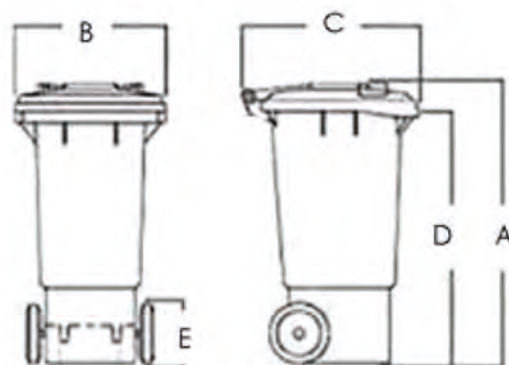
240 Lt.

A: 110 cm B: 55 cm C: 74 cm  
D: 100 cm E: 20 cm



360 Lt.

A: 111 cm B: 58 cm C: 88 cm  
D: 102 cm E: 20 cm



### FEATURES

- \*Raw material is resistant to sunlight, heat and cold.
- \*Two wheels.
- \*Products are intertwined.
- \*Pedal can be added optionally.
- \*Optional magnetic lock system.
- \*Waste cover can be added optionally.
- \*Made of recyclable material.
- \*Can be easily opened, emptied and washed.
- \*Leak-proof feature has been proven by tests.
- \*Retains color does not fade.
- \*Available in 10 alternative colors.
- \*International CE Standard Conformity Certificate.



### 70 L. Polypropylene Zero Waste Bin



35 x 35 x 70



### 70 L. Plastic Zero Waste Bucket

36 x 40 x 70



### 85 L. Plastic with Pedal Zero Waste Bucket



48 x 54 x 77





The cover is opened with the help of the Foot Pedal.  
 Cover opening direction is right and left.  
 The body is suitable for 2 types of color options as Black and Grey.  
 The cover is suitable for all kinds of color options.  
 It has an inner bucket.  
 It has 9 L Capacity.  
 Dimensions: 185\*270\*310h

The cover is opened with the help of the Foot Pedal.  
 Cover opening direction is right and left.  
 The body is suitable for 2 types of color options as Black and Grey.  
 The cover is suitable for all kinds of color options.  
 It has an inner bucket.  
 It has 20 L Capacity.  
 Dimensions: 36x24x42

The cover is opened with the help of the Foot Pedal.  
 Cover opening direction is right and left.  
 The body is suitable for 2 types of color options as Black and Grey.  
 The cover is suitable for all kinds of color options.  
 It has an inner bucket.  
 It has 60 L Capacity.  
 Dimensions: 244x365x415h



You can visit our website for different model products.



**ZK-1001C**

Bucket 30x64 cm  
Stand 64x35 cm



**ZK-1003C**

Bucket 30x64 cm  
Stand 69x35 cm



**ZK-1011C**

Bucket 36x78 cm  
Stand 76x39 cm



**ZK-1015C**

Bucket 30x88 cm  
Stand 69x38 cm



**ZK-1021C**

Bucket 30x60 cm  
Stand 64x33 cm



**ZK-1017C**

Bucket 30x72 cm  
Stand 69x36 cm



**ZK-2510**

60x30x85 cm



**ZK-2516**

63x33x85 cm

You can visit our website for different model products.





**ZK-1006C**

Bucket 30x60 cm  
Stand 65x36 cm



**ZK-1002C**

Bucket 30x64 cm  
Stand 64x35 cm



**ZK-1022C**

Bucket 30x60 cm  
Stand 64x33 cm



**ZK-1875**

65x30x75 cm



**ZK-1875C**

62x32x80 cm



**ZK-6232**

63x33x80 cm



**ZK-1033C**

60x26x80 cm



**ZK-1031C**

60x30x70 cm

You can visit our website for different model products.



**ZK-1001B**

Bucket 30x64 cm  
Stand 94x33 cm



**ZK-2518**

30x90x75 cm



**ZK-1883**

35x55x70 cm



**ZK-1035B**

90x30x70 cm



**ZK-1037B**

90x26x80 cm



**ZK-1021B**

Bucket 30x60 cm  
Stand 94x33 cm



**ZK-2525**

24x65x75 cm



**ZK-1037B**

90x26x80 cm

You can visit our website for different model products.



**ZK-6233**

94x33x80 cm



**ZK-1033B**

90x26x80 cm



**ZK-1031B**

90x30x70 cm



**ZK-1022B**

Bucket Stand 30x60cm 94x33cm



**ZK-1874**

65x30x75 cm



**ZK-2513**

80x30x85 cm



**ZK-6275**

85x28x65 cm



**ZK-1310B**

Bucket Stand 30x60cm 94x33 cm



**ZK-1001A**

Bucket 30x64 cm  
Stand 123x33 cm



**ZK-1035A**

120x30x70 cm



**ZK-1021A**

Bucket 30x60 cm  
Stand 123x33 cm



**ZK-1037A**

120x26x80 cm



**ZK-2521**

95x30x85 cm



**ZK-1036A**

95x30x74 cm

You can visit our website for different model products.



**ZK-1033A**  
120x26x80 cm



**ZK-1032A**  
95x30x74 cm



**ZK-1031A**  
120x30x70 cm



**ZK-6234**  
124x33x80 cm



**ZK-6235**  
122x32x88 cm



**ZK-6236**  
Bucket 30x64 cm  
Stand 125x33 cm

You can visit our website for different model products.



ZK-1706



ZK-1707



ZK-1701



ZK-1705



ZK-1704



ZK-1708



ZK-1732



ZK-1733



ZK-1734



ZK-1736



ZK-1751



ZK-148

You can visit our website for different model products.



**ZK-2110**



**ZK-2100**



**ZK-2101**



**ZK-2105**



**ZK-2118**



**ZK-2114**



**ZK-150**



**ZK-161**



**ZK-158**



**ZK-165**



**ZK-155**



**ZK-190**

You can visit our website for different model products.



# Zeyrek Konteyner

[www.zeyrekkonteyner.com](http://www.zeyrekkonteyner.com)

[info@zeyrekkonteyner.com](mailto:info@zeyrekkonteyner.com)

#### **MERKEZ**

Pınartepe Mahallesi  
Şehit Celal Madendere Cd.  
No:62/A Büyükçekmece / İST.  
+90 212 863 60 70  
+90 216 427 18 66

#### **FABRİKA**

Çavuşköy Mahallesi  
Ergenekon Cd. No:18  
Malkara OSB  
Malkara / TEKİRDAĞ  
[info@zeyrekkonteyner.com](mailto:info@zeyrekkonteyner.com)

#### **BULGARİSTAN**

UL. G.S.  
Rakovski-50 ET.3, AP.5 7700  
Targovishte / Bulgaristan  
[higjamedbg@gmail.com](mailto:higjamedbg@gmail.com)  
+359 88 899 8818

#### **FRANCE**

39 Rue Du Mont Sainte  
Barbe 67700  
Ottersthal France  
[gokmenzeyrek@gmail.com](mailto:gokmenzeyrek@gmail.com)  
+33 6 03 82 87 59