



ÖZYAPI

CLEANROOM
SYSTEMS

ÖZYAPI IS 15 YEARS OLD !

ÖZYAPI CLEANROOM SYSTEMS & ÖZ MODÜLER CLEANROOM SYSTEMS, WITH 15 YEARS OF EXPERIENCE AND KNOWLEDGE, IT HAS ALWAYS PROVIDED CUSTOMER-ORIENTED SOLUTIONS IN ARCHITECTURAL PROJECTS, ENGINEERING AND PRODUCTION MANUFACTURING IN CLEANROOM SYSTEMS.

WHILE BEING A PIONEERING COMPANY THAT AIMS TO MINIMIZE IMPORTS AND ADOPTS THE PRINCIPLE OF BEING A LOCOMOTIVE IN THIS WAY; THE GOAL HAS ALWAYS BEEN CUSTOMER SATISFACTION.

ÖZYAPI CLEANROOM SYSTEMS, MEDICINE INDUSTRY, HEALTH SECTOR (HOSPITAL, LAB) CHEMICAL INDUSTRY, AUTOMOTIVE, DEFENSE INDUSTRY, COSMETIC SECTOR PROVIDES SERVICE BY PRODUCING MODULAR PERMANENT SOLUTIONS TO THE MATERIAL NEEDS USED IN CLEANROOM SYSTEMS IN MANY AREAS.

 SANDOZ SANDOZ SİTEK HAMMADDE TUZLA	 SANDOZ SANDOZ GEBZE 1	 SANDOZ SANDOZ GEBZE 2	 bilim İLAÇ BİLİM İLAÇ KASIMPAŞA	 bilim İLAÇ BİLİM İLAÇ GEBZE	 bilim İLAÇ BİLİM İLAÇ ÇERKEZKÖY
 Kopaş KOPAS KOZMATİK A.Ş.	 DEVA DEVA İLAÇ ÇERKEZKÖY	 DEVA DEVA İLAÇ KARTEPE	 Mustafa Nevzat MUSTAFA NEVZAT İLAÇ ŞEKERPINAR	 Mustafa Nevzat MUSTAFA NEVZAT İLAÇ YENİBOSNA	 NOVARTIS NOVARTIS İLAÇ KURTKÖY
 Biofarma BIOFARMA İLAÇ SULTANBEYLİ	 Santa Farma İlaç Sanayi A.Ş. SANTA FARMA İLAÇ	 İLKO İLAÇ SANAYİ VE TİCARET A.Ş. İLKO İLAÇ	 Eczacıbaşı monrol ECZACIBAŞI MONROL NÜKLEER ÜRÜN A.Ş.	 GEBZE TÜBİTAK YERLEŞKESİ	 Dünyagöz DÜNYA GÖZ HASTANELERİ
 ATABAY FARMASİYELİK VE FARMASİYELİKLER ATABAY KİMYA DİLOVASI	 ATABAY FARMASİYELİK VE FARMASİYELİKLER ATABAY KİMYA ACIBADEM	 BERKO İLAÇ BERKO İLAÇ KİMYA SULTANBEYLİ	 GILDA İLAÇ KİMYA GILDA İLAÇ KOZMATİK TUZLA	 AVIS İlaç Sanayi ve Tic. A.Ş. AVIS İLAÇ 1 TUZLA	 AVIS İlaç Sanayi ve Tic. A.Ş. AVIS İLAÇ 2 TUZLA
 MY FARMA MY FARMA İLAÇ TUZLA	 DOKUZ EYLÜL ÜNİVERSİTESİ İZMİR	 DELPHI DELPHİ OTOMOTİV İZMİR	 ALKALOID EKOPJE ALKALOIDLER İLAÇ BOLVAĐIN	 Dia Pro TMMB Üyesi Sanayi ve Ticaret A.Ş. DIAPRO TIBBİ URUNLER	 TURGUT TURGUT İLAÇ

PROJE FLOW CHART

1- CREATING A PROJECT CONCEPT

AS A BEGINNER CONCEPT, THE EXAMPLE OF AVAILABLE AREAS ARE THE PHASE OF VISUAL PREPARATION AND PRESENTATION.

2- DESIGN AND 3D VISUALIZATION

IT IS THE STAGE OF PREPARING 3D VISUAL, PLAN LAYOUT, SECTION DRAWING, DETAIL DRAWING AND 360° PRESENTATION BY DESIGNING APPROPRIATE TO THE AREA.

3- CUSTOMER CONFIRMATION AND ORDERING

SUBMITTING THE PREPARED PROJECT TO THE CUSTOMER'S APPROVAL AND MAKING THE ORDER STAGE AFTER RECEIVING APPROVAL.

4- PRODUCTION PHASE

USING ADVANCED PRODUCTION EQUIPMENT COMBINED WITH OUR HIGHLY TALENT AND EXPERIENCED WORKFORCE, WE ENSURE THE CONTINUOUS HIGH QUALITY MANUFACTURING OF THE SOLUTION WE CHOOSE.

5- SHIPMENT PHASE

FAST AND SAFE TRANSFER IS PROVIDED BY PREPARING A DELIVERY PLAN TO MEET YOUR PROJECT NEEDS.

6- PRODUCT INSTALLATION PHASE

OUR SIMPLE AND MODULAR SOLUTIONS PROVIDE INTEGRATION FOR FASTER AND EFFICIENT INSTALLATION.

7- PRODUCT USAGE PHASE

WHEN THE PROJECT IS COMPLETE, SUPPORT WILL BE PROVIDED WITH RELATED DOCUMENTS ON THE PROJECT TRANSFER, INCLUDING DATA SUPPORTING YOUR OPERATION AND MAINTENANCE MANUALS TO ENSURE YOU MAKING THE BEST OF CLEAN ROOM SOLUTIONS.

8- DELIVERY PHASE OF THE FIELD

OUR SERVICE CONTINUES AFTER THE PROJECT IS COMPLETED. BY PROVIDING SERVICE IN OUR WARRANTY PROCESS, YOU CAN ENSURE THAT YOU CHOOSE THE HIGHEST LEVEL CLEAN ROOM SOLUTION THAT IS LONG AND DURABLE.

HPL PANEL SYSTEMS - SHEET METAL PANEL SYSTEMS - STAINLESS PANEL SYSTEMS

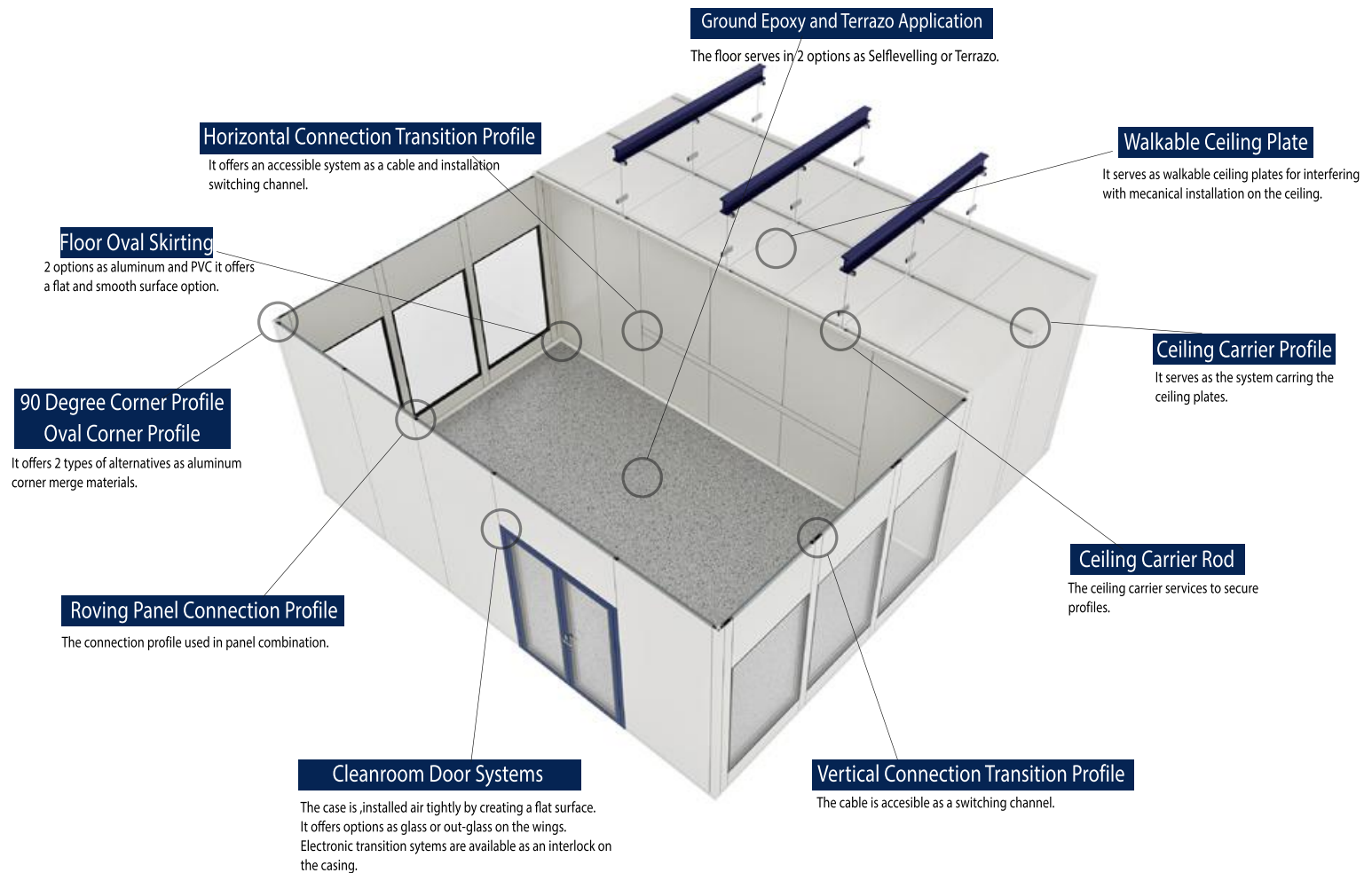
MODULAR CEILING SYSTEMS - WALKABLE CEILING SYSTEMS

SINGLE DOUBLE DOOR SYSTEMS - AUTOMATIC DOOR SYSTEMS

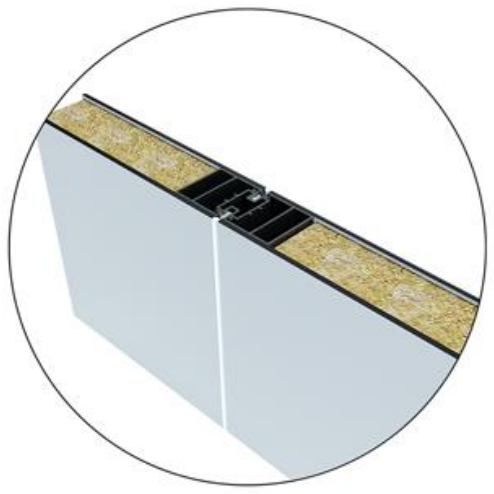
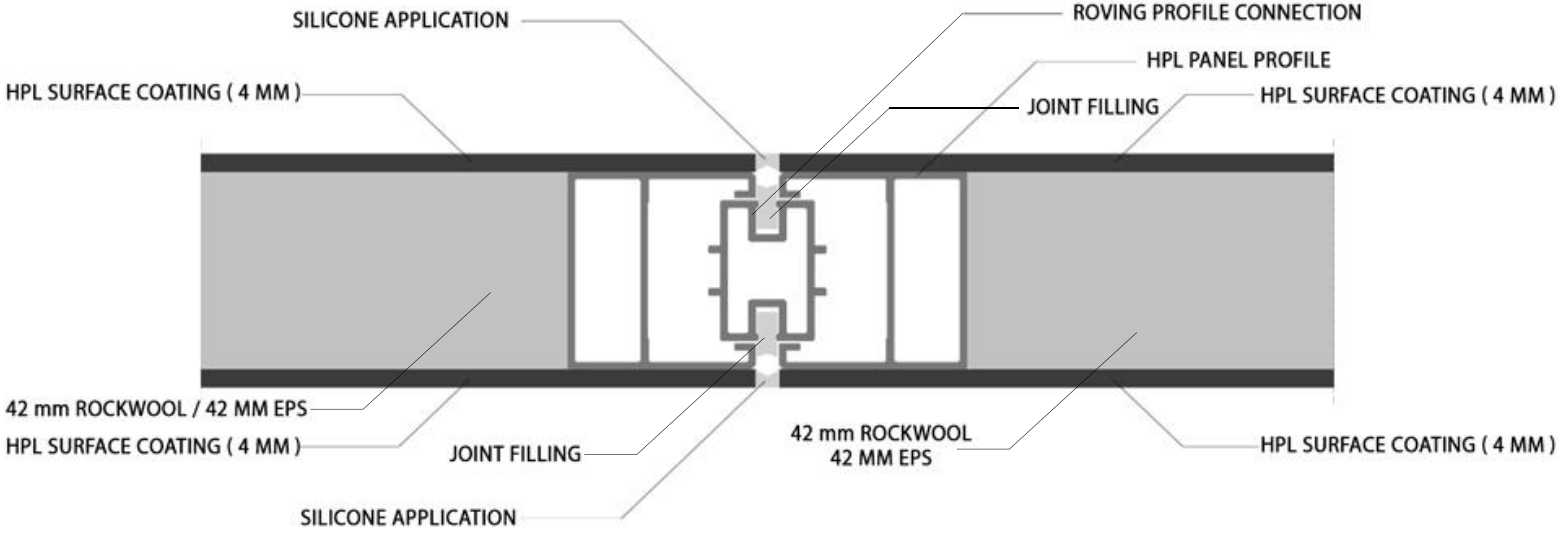
PASSBOX SYSTEMS - VERTICAL / HORIZONTAL PASS SYSTEMS

GROUND EPOXY APPLICATION - GROUND PHARMA TERRAZO APPLICATION

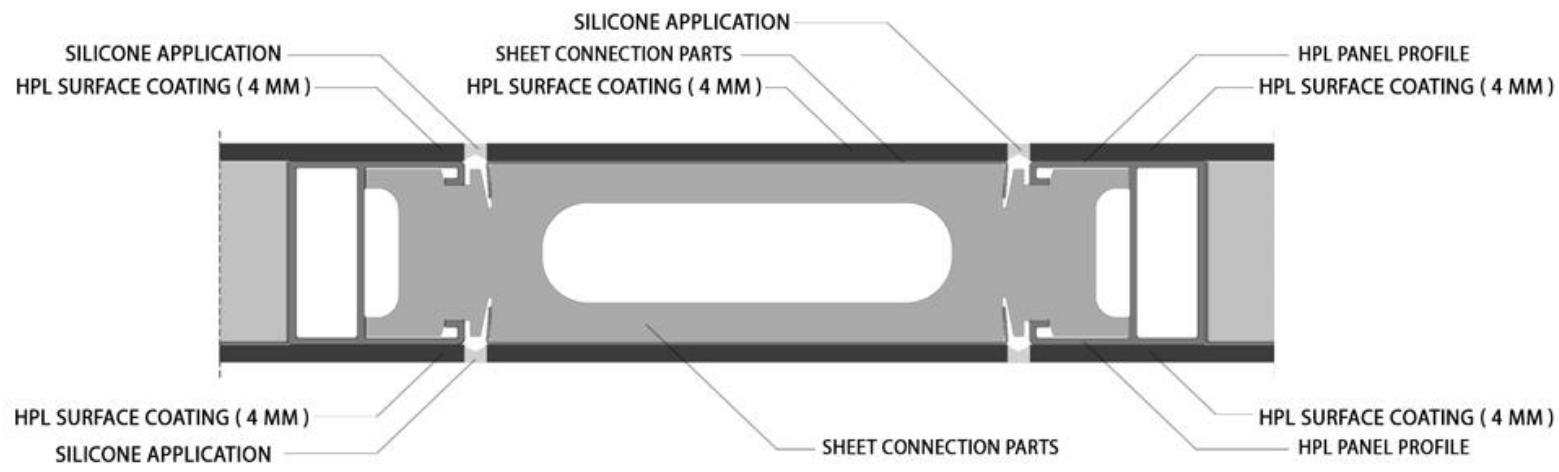
MODULAR SYSTEM COMBINING ELEMENTS- CONNECTION DETAIL PROFILES



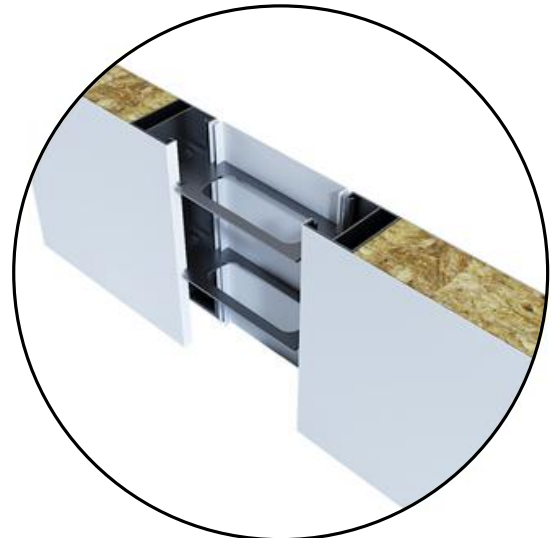
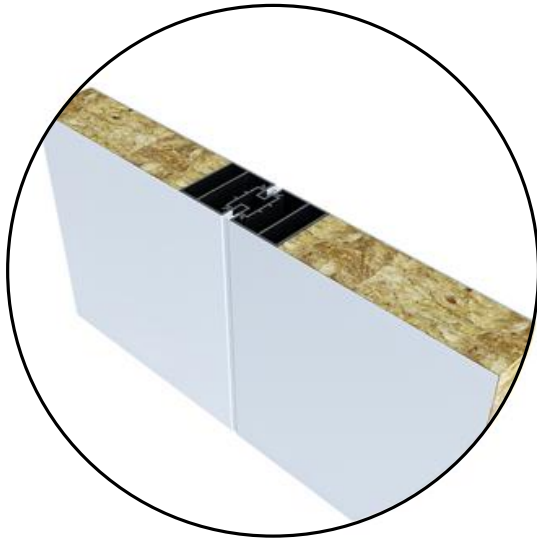
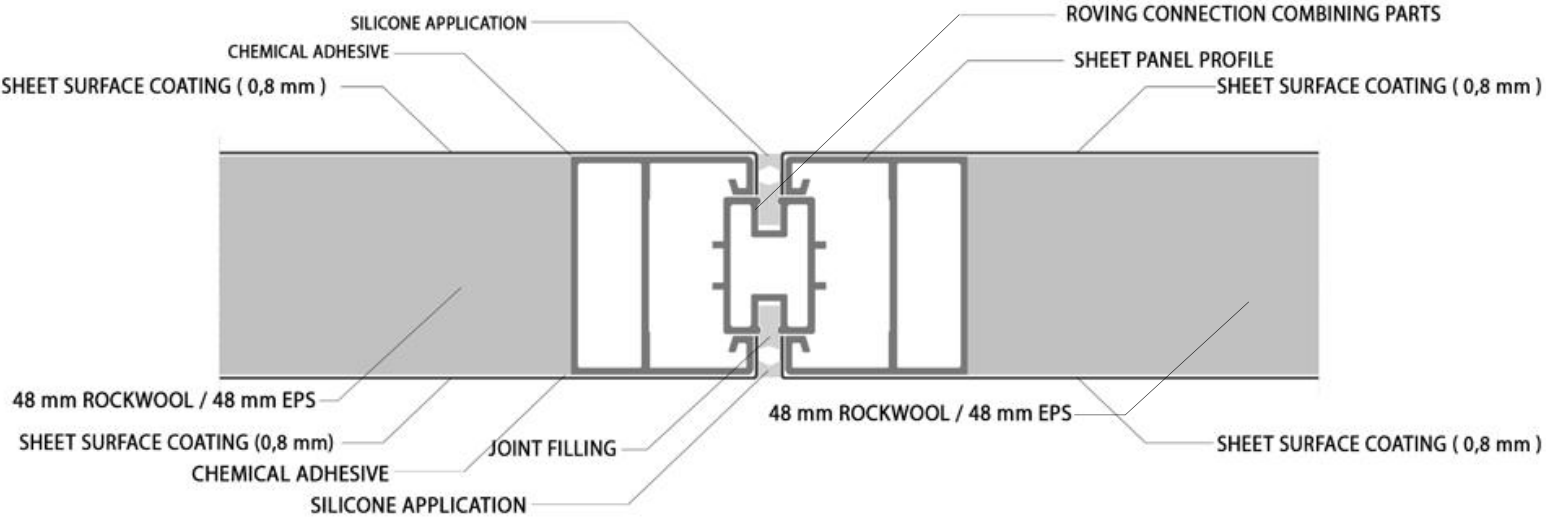
HPL PANEL / ROVING PROFILE / HPL PANEL



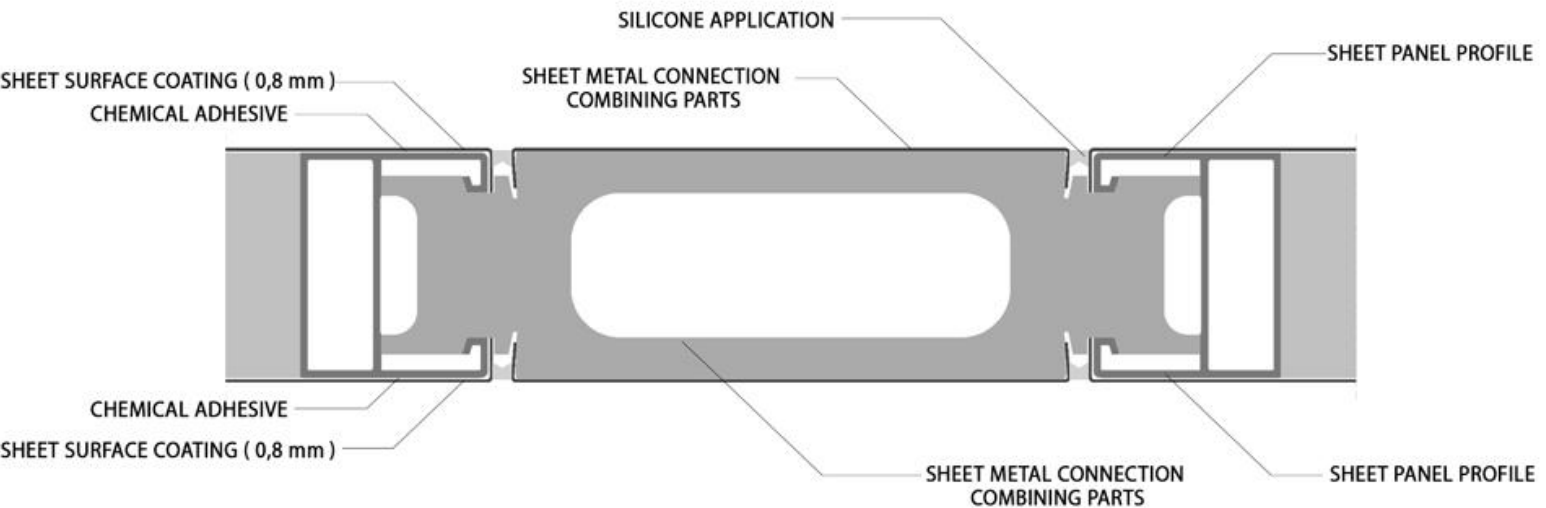
HPL PANEL / CAP / HPL PANEL



SHEET PANEL / ROVING PROFILE / SHEET PANEL

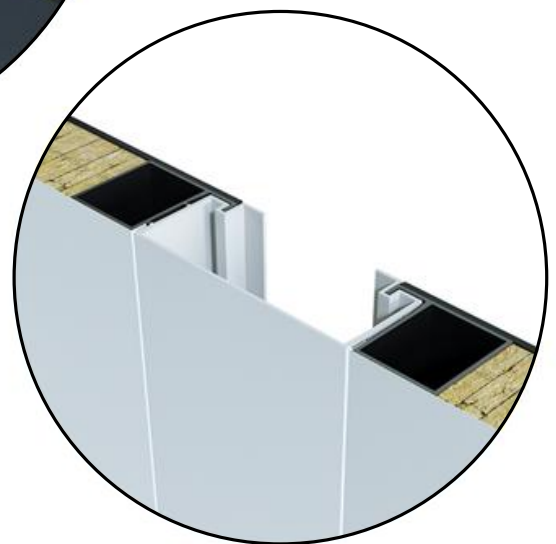
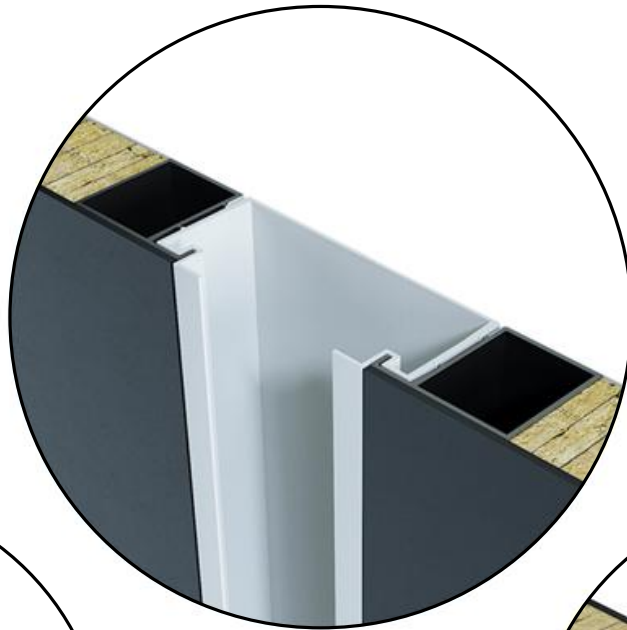
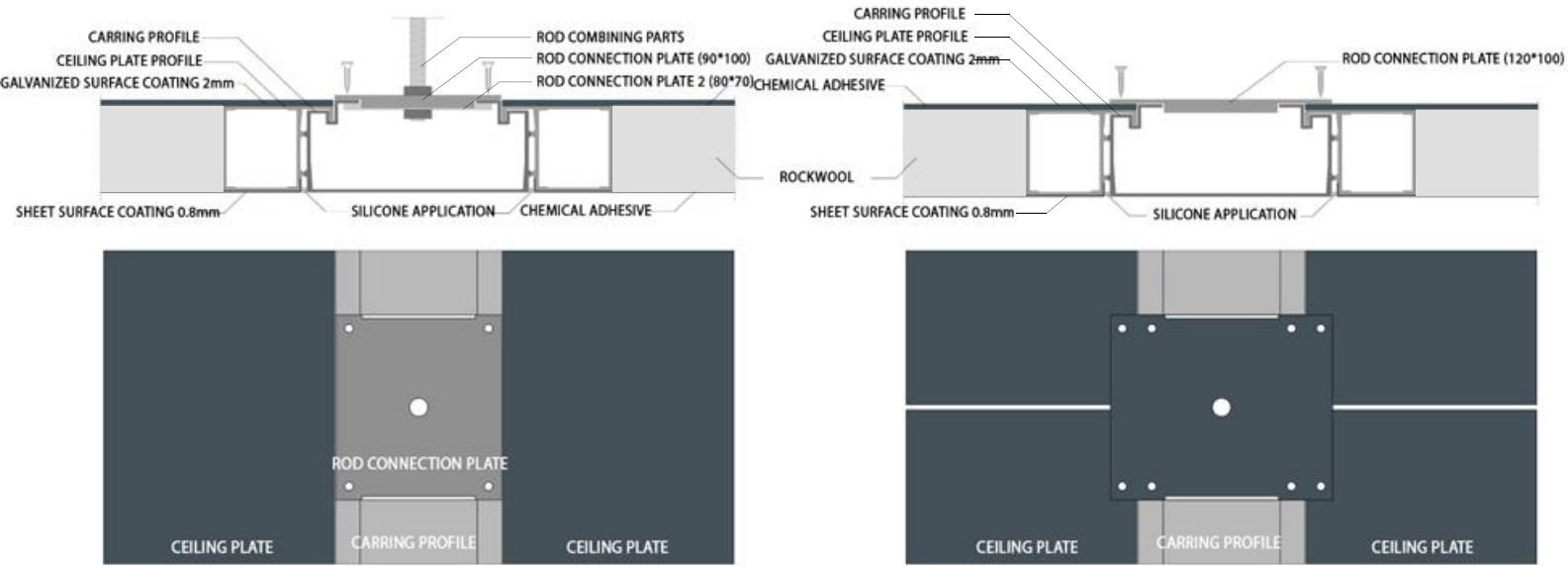


SHEET PANEL / CAP / SHEET PANEL

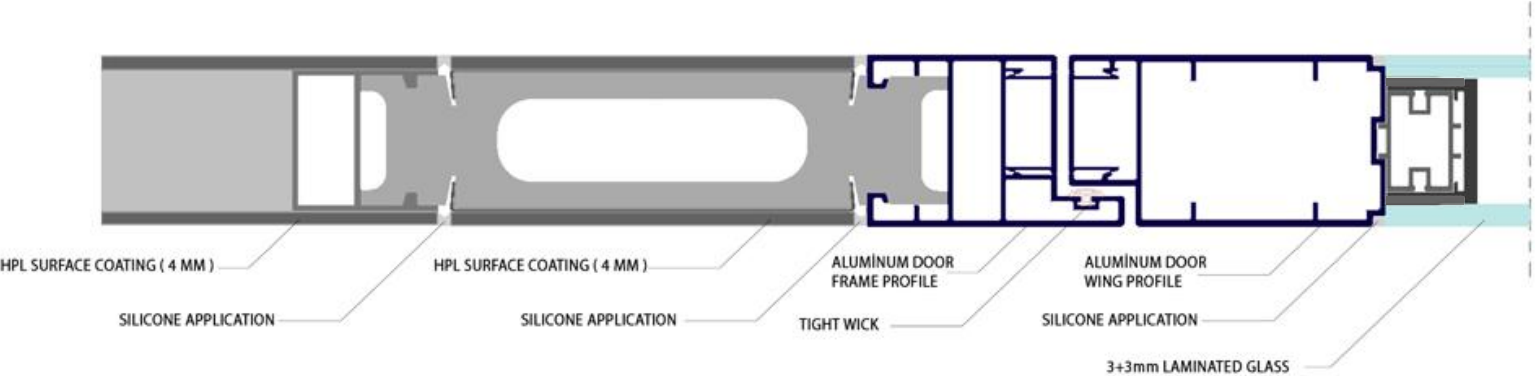


Walkable Modular Suspended Ceiling
Total Load Bearing Capacity

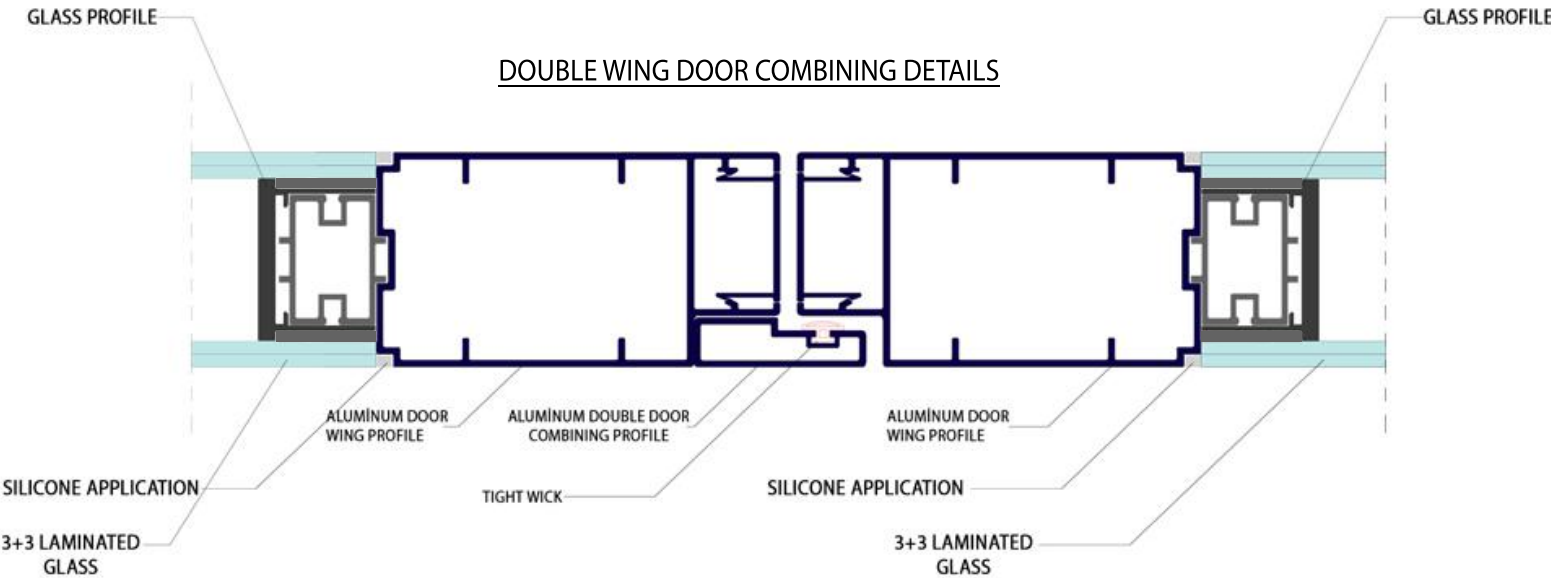
Kg 350 Kg



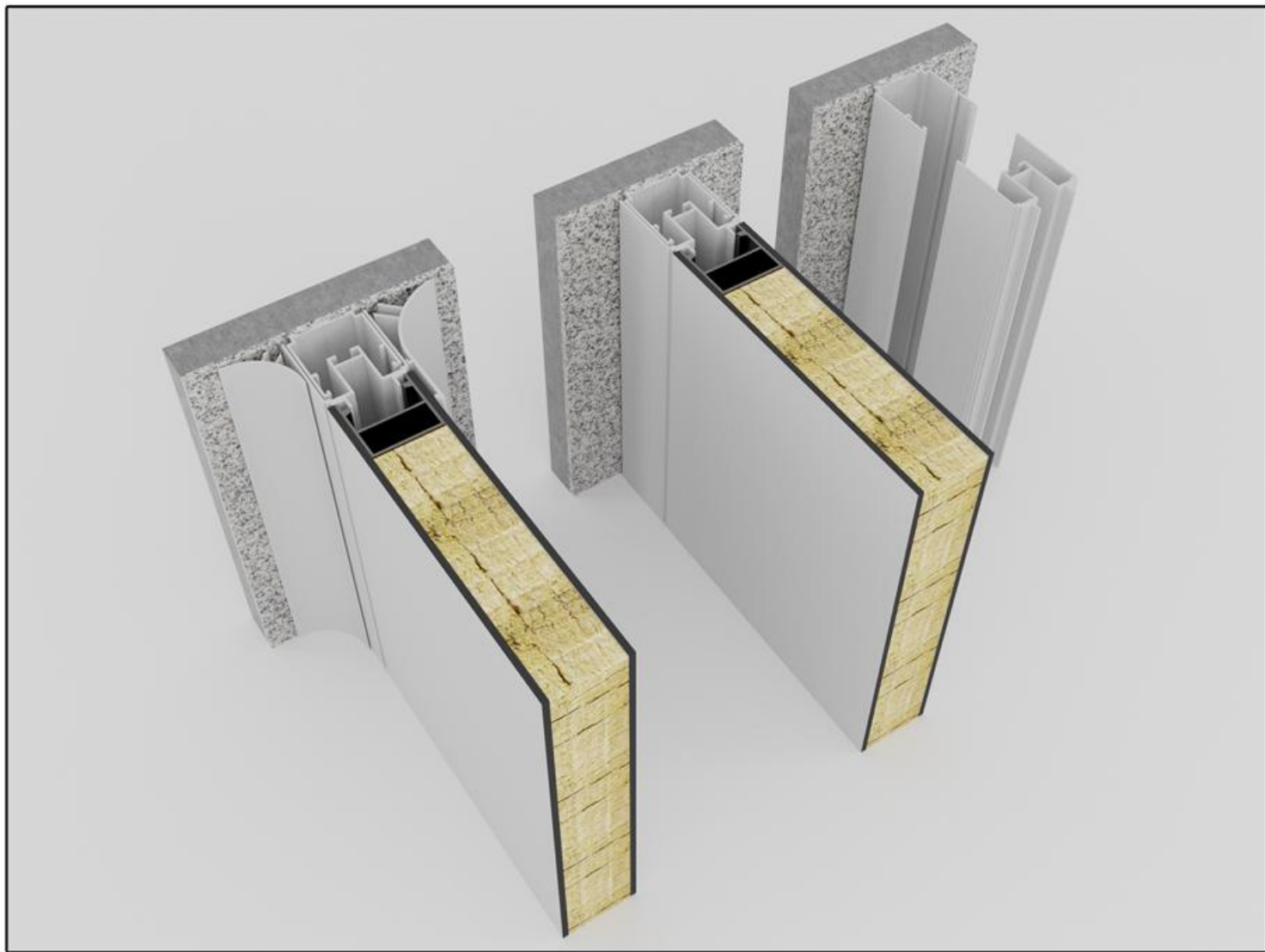
HPL PANEL / HPL CAP / PANEL DOOR WITH GLASS

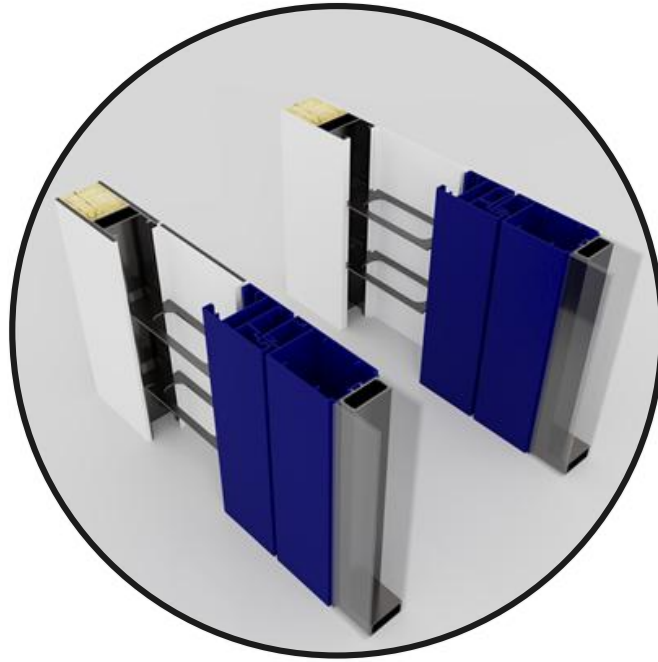


DOUBLE WING DOOR COMBINING DETAILS



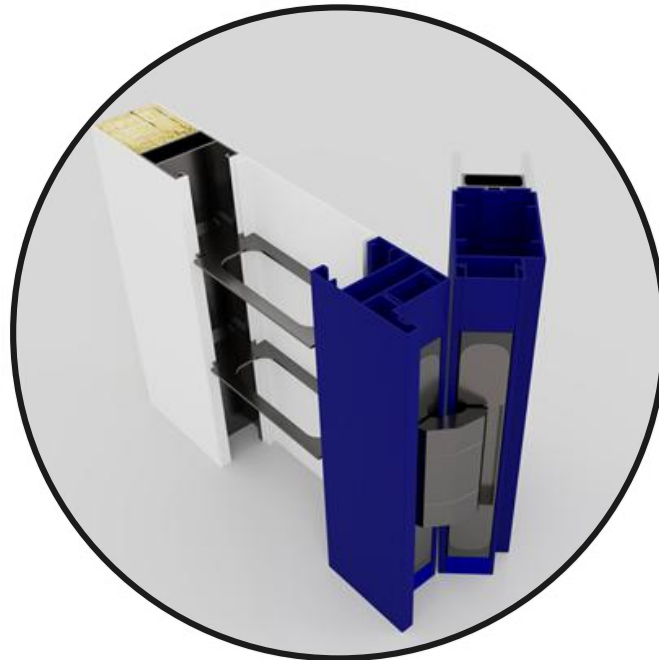
PANEL - GROUND LIFT PROFILE - PLINTH PROFILE DETAILS





HPL PANEL - DOOR AND SHEET PANEL - DOOR COMBINING DETAILS

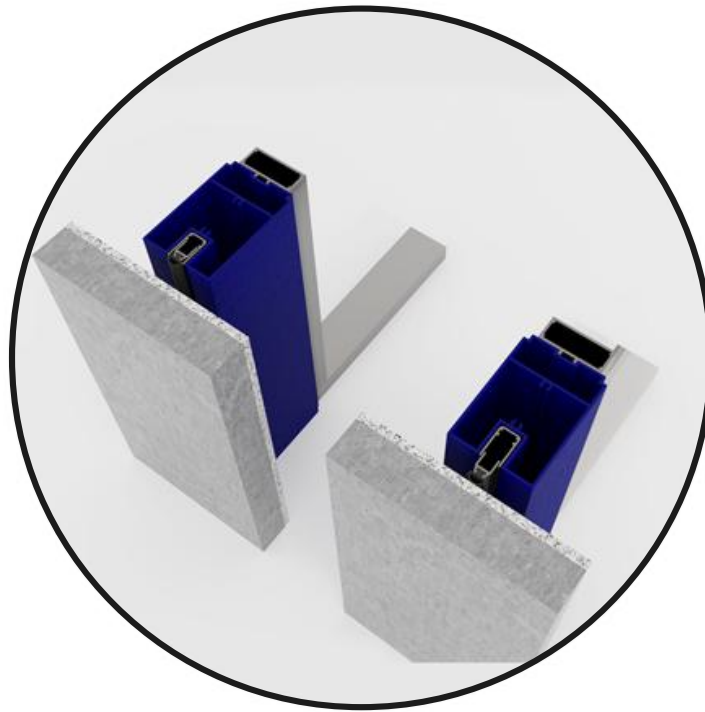
- 1- HPL PANEL - HPL CAP - PANEL DOOR
- 2- SHEET PANEL - SHEET CAP - PANEL DOOR



PANEL DOOR HIDDEN HINGE DETAILS

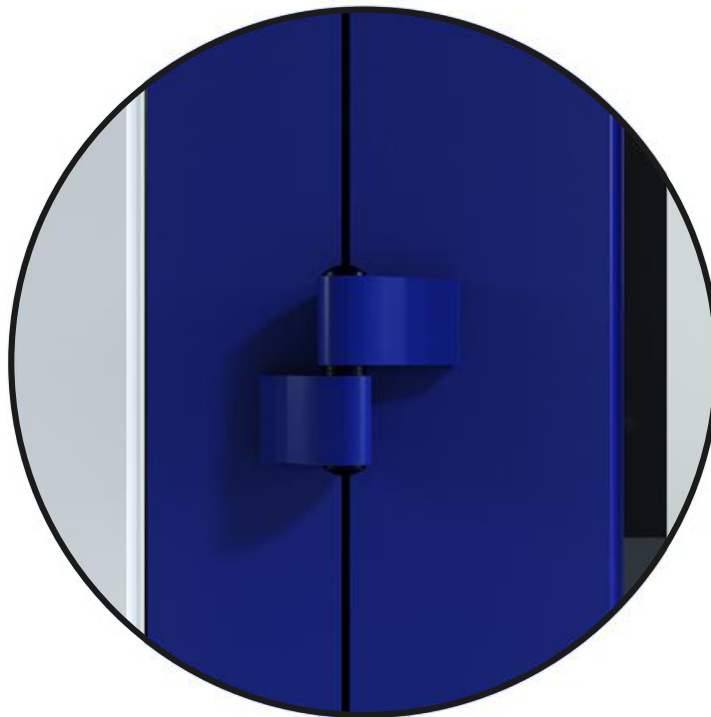
WITH THE DETAIL OF THE CAP BETWEEN THE PANEL AND THE DOOR, A CHANNEL IS CREATED FOR EASY INSTALLATION OF ELECTRICAL INSTALLATION OR OTHER LOCK SYSTEMS.

DEPENDING ON CUSTOMER REQUEST AND DIFFERENT ACCORDING TO DOOR DIMENSIONS, A HIDDEN HINGE IS USED TO CREATE A FLAT SURFACE.



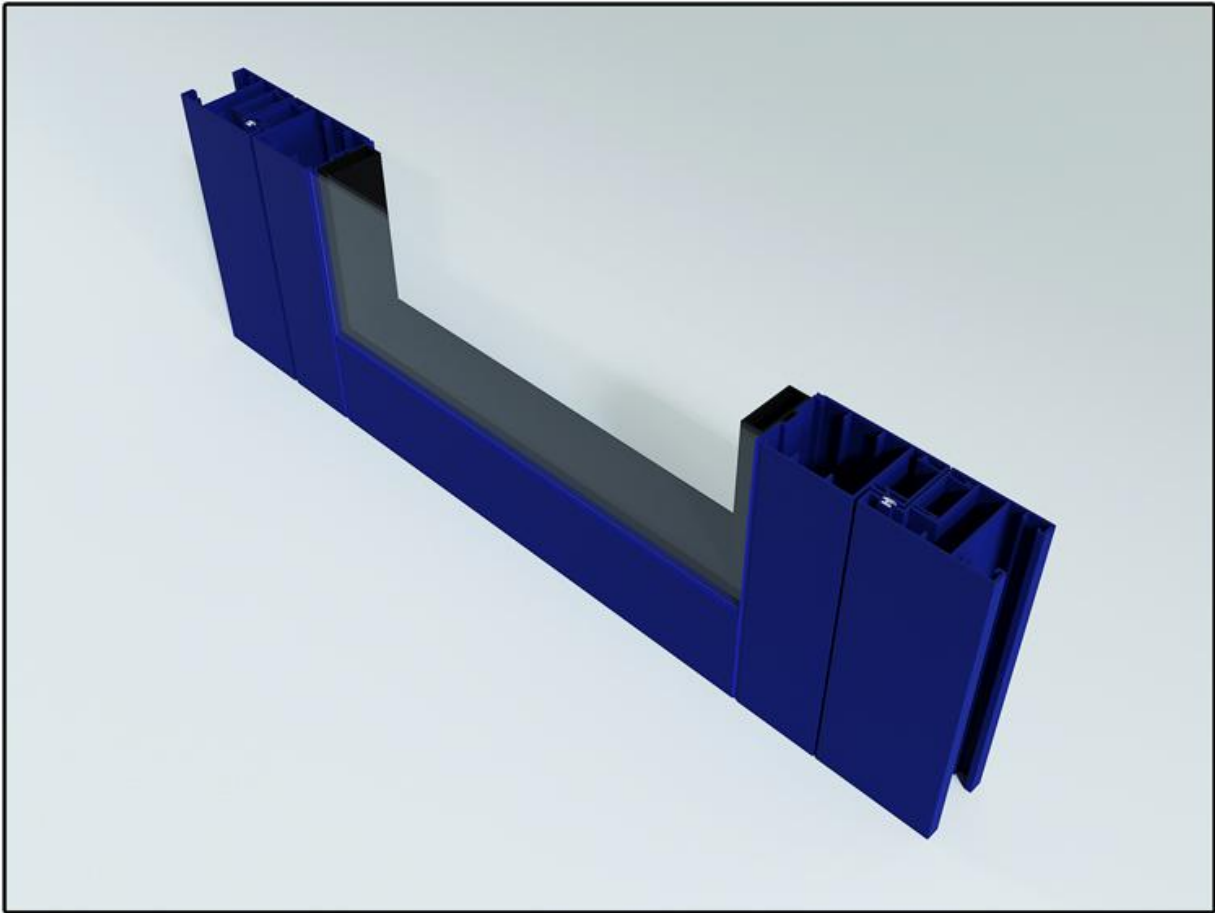
PANEL DOOR SKIRT PROFILE SEALING DETAIL

THE PANEL DOOR IS ACTIVE BY THE PRINTING METHOD WHEN THE LEAKING GUILLOTINE DOOR IS CLOSED IN THE CHANNEL CREATED IN THE SPECIALLY MANUFACTURED SKIRT PROFILE.



PANEL DOOR HINGE SYSTEMS

WITH THE HINGE USED ON THE SURFACE, THE DOOR SYSTEMS ARE USED IN A PRECISE MANNER.



PANEL DOOR

THE PANEL DOOR IS DESIGNED AS SEMI-HERMETIC AS A MODULAR SYSTEM.

THE DOOR IS PROVIDED THANKS TO THE LEAKAGE AND ANTIBACTERIAL WICK IN THE DETAIL OF THE DOOR AND THE GUILLOTINE UNDER THE DOOR.



PANEL DOOR HIDDEN DOOR HYDRAULIC





GAS-TIGHT DOOR

- PNEUMATIC GASKET PRODUCED AS ONE PART
- OUTER FRAME PRODUCED AS STAINLESS STEEL AND CORNERS IS ROUNDED
- WHEN PRESSURE APPLIED TO THE GASKET GASKET LIP GOES OUT AND PRESS TO THE SURFACE AND GIVES VERY GOOD THIGHTNESS
- ALL THE OPERATION AND RISKS CONTROLLED AND MONITORED THROUGHT A PLC SYSTEM LIKE PRESSURE LOSS IN THE LINE,GASKET PROBLEM,ETC.
- ALL THE UNITS TESTED ACCORDING TO THE DIN 25496
- IT IS READY FOR BUILDING MANAGEMENT SYSTEM
- THE DOOR WING MAY BE STAINLESS STEEL OR COMPLETE GLASS
- TAILOR-MADE DIMENSIONS AVAILABLE



GAS TIGHT PASS-BOXES, CABINET, PASS-TROUGHS

- PNEUMATIC GASKET PRODUCED AS ONE PART
- WHEN PRESSURE APPLIED TO THE GASKET GASKET LIP GOES OUT AND PRESS TO THE SURFACE AND GIVES VERY GOOD THIGHTNESS
- ELECTRICALLY INTERLOCKED
- INNER SURFACE MIRROR POLISHED AISI 316 GRADE STAINLESS STEEL OUTER SURFACE PAINTED STEEL OR AISI 304 GRADE STAINLESS STEEL
- H14 FILTER IN SUPPLY LINE
- 2*6 MM TEMPERED GLASS DOORS, WITH ALUMINIUM INNER FRAME
- PLC CONTROLLED



PEROXMIN MOBILE VAPORISED HYDROGEN PEROXIDE ROOM CABINET STERILISATOR



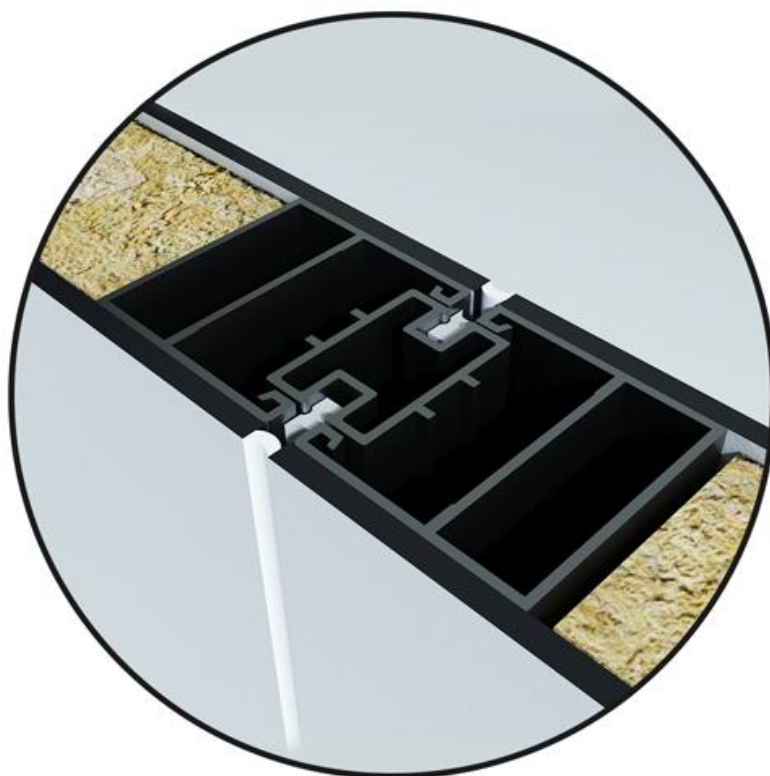
- SIMPLE TO USE, IT IS POSSIBLE TO USE STANDARD SETUP OR EASILY PROGRAMMABLE
- CONNECTION IS SIMPLE WITH QUICK CONNECT CLAMPS
- WORKED WITH %35 H₂O₂ SOLUTION SOLD READILY WITH DIFFERENT BRANDNAMES
- YOU COULD USE cGMP COMPLIANT PAPER PRINTOUT OR FLASH MEMORY
- IT IS POSSIBLE TO MAKE MODIFICATION FOR TAILOR-MADE SOLUTIONS
- IT HAS DEHUMIDIFYING AND DEACTIVATION SYSTEM OPTIONALLY
- COULD BE USED UP TO 200 m³ ROOMS WITH STANDARD VERSION AND UP TO 600 m³ ROOMS WITH INCREASED CAPACITY

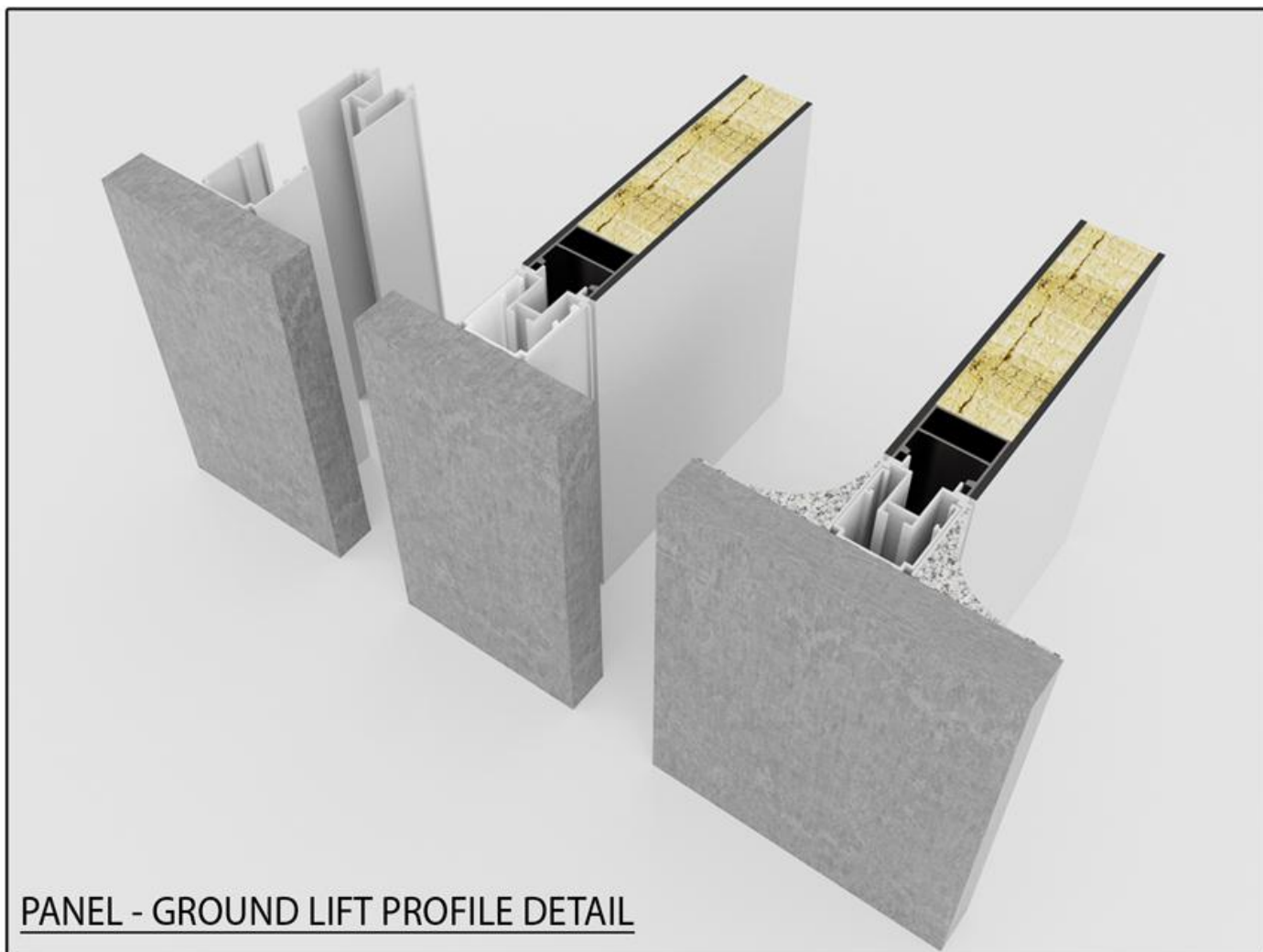


AIR SHOWER

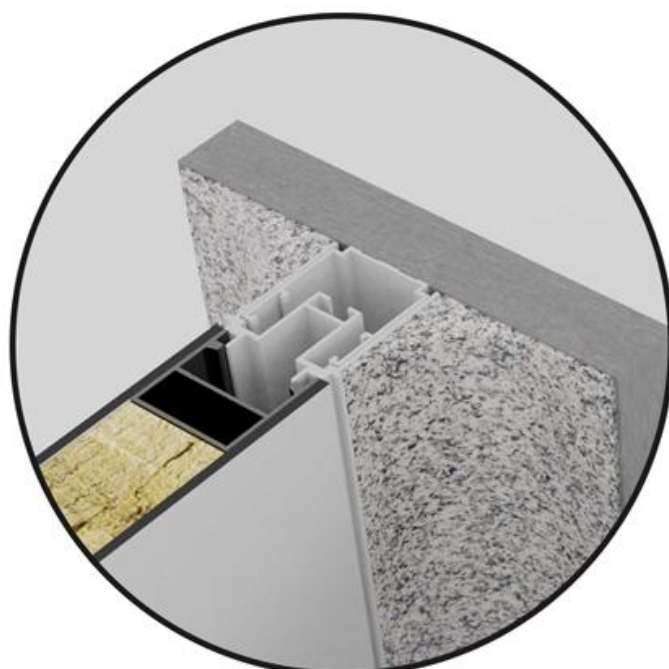
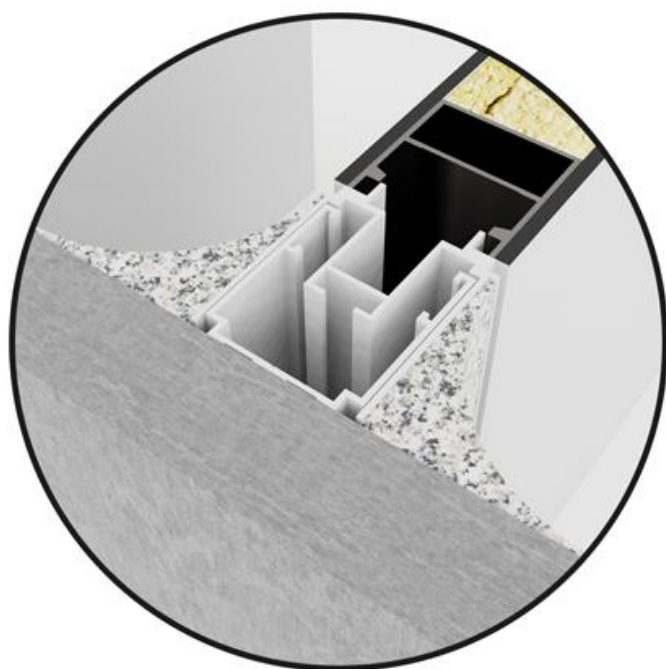


- MATERIAL USED STAINLESS STEEL
- STAINLESS STEEL / FLOATING AIR SPEED : 20/25 m/sec
- TOUCH SCREEN / AUTOMATION PANEL:
ADJUSTABLE FAN RUN TIME (10/30 sec)
ADJUSTABLE INTERLOCK TIME
- MANUAL 90 DEGREE LOCKABLE STAINLESS DOOR WITH INTERLOCK
LOCKING SYSTEM
- FILTER CONTAMINATION INDICATOR : MAGNELIC MANOMETER
- G3 CASSETTE FILTER : AVERAGE DUST CAPTURE EFFICIENCY %80 ≤ %90
- HEPA FILTER (H13 CLASSIFICATION) : MINIMUM EFFICIENCY AT 0.3 MICRONS;
(AT THE LOWEST PARTICLE / DOP %99.997) (AT THE MOST PENETRATING
PARTICLE / MPPS %99.95)



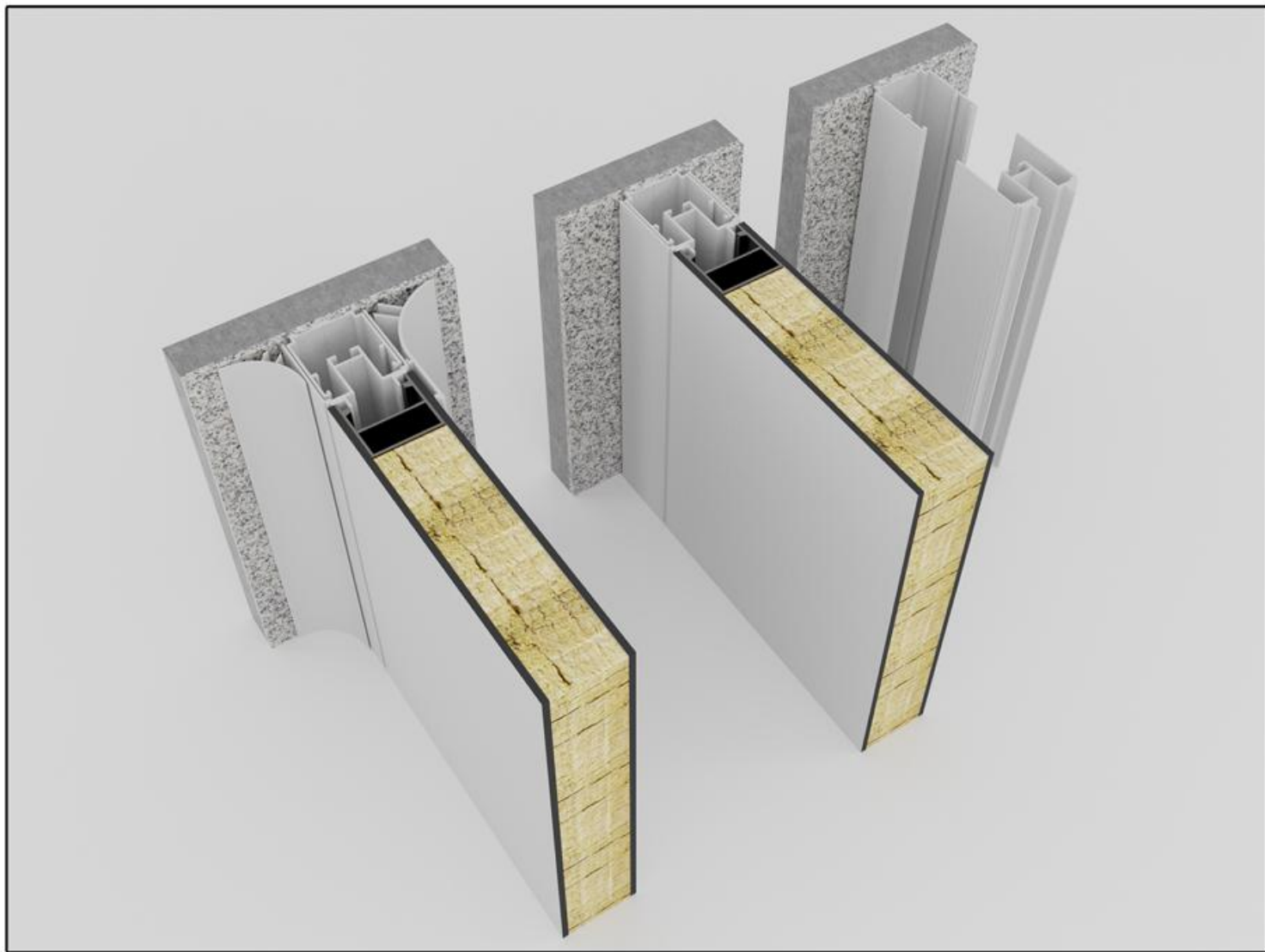


PANEL - GROUND LIFT PROFILE DETAIL



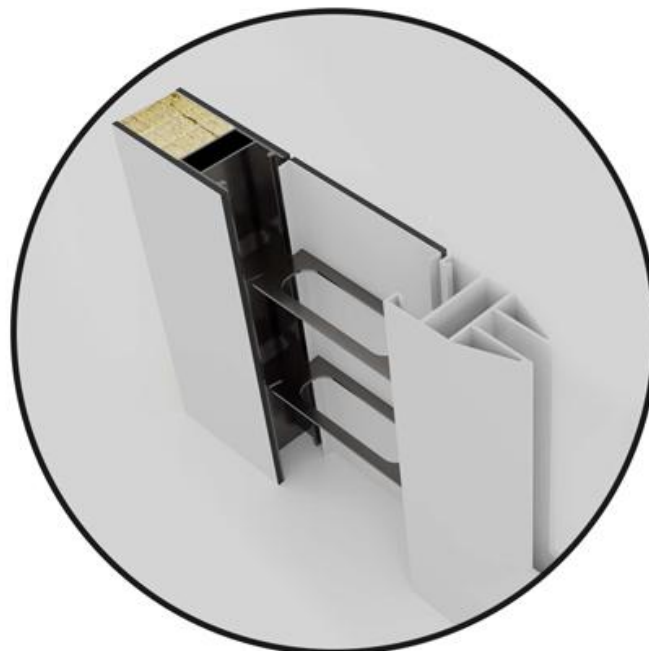
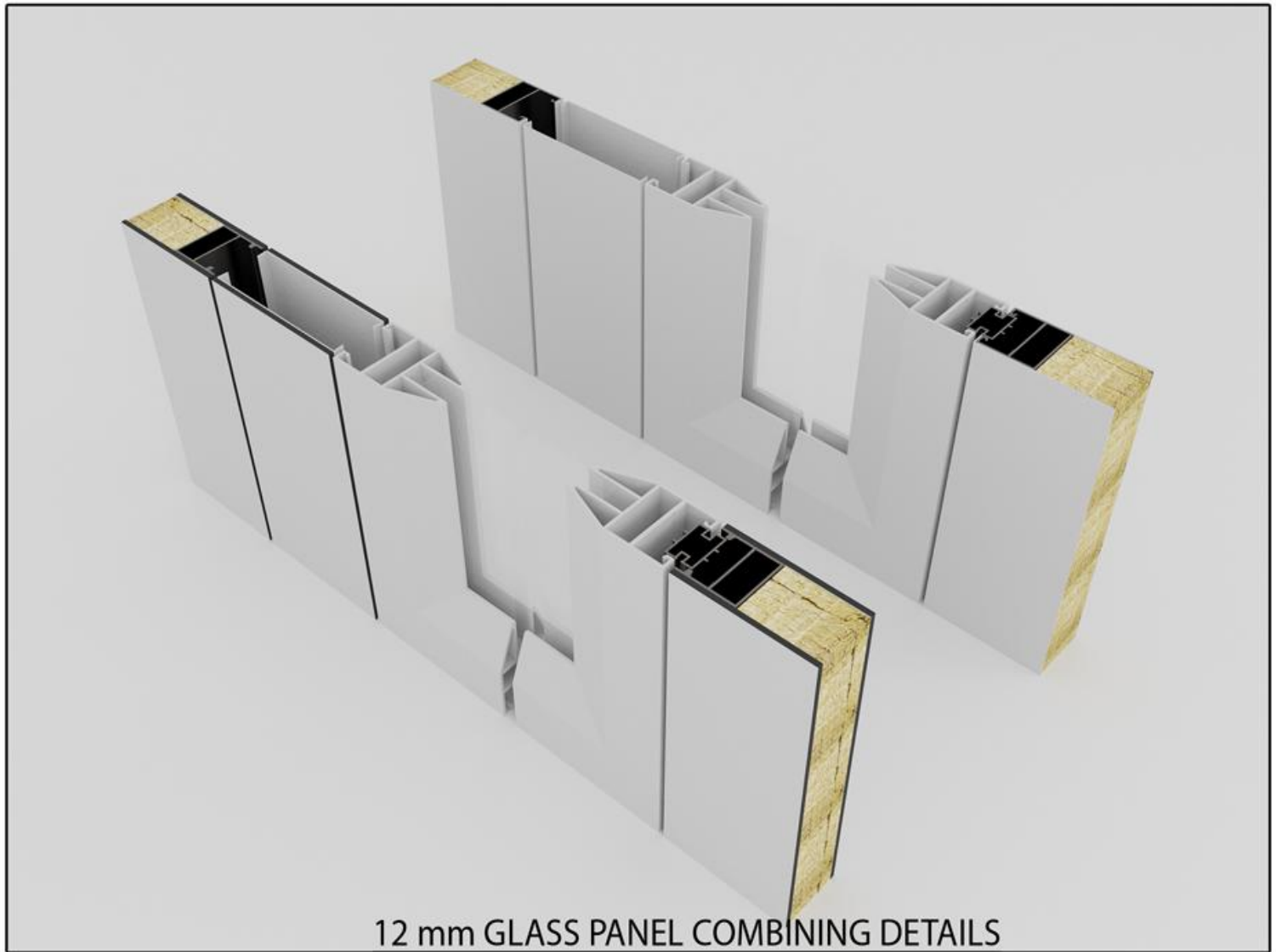
EPOXY PLINTH DETAIL

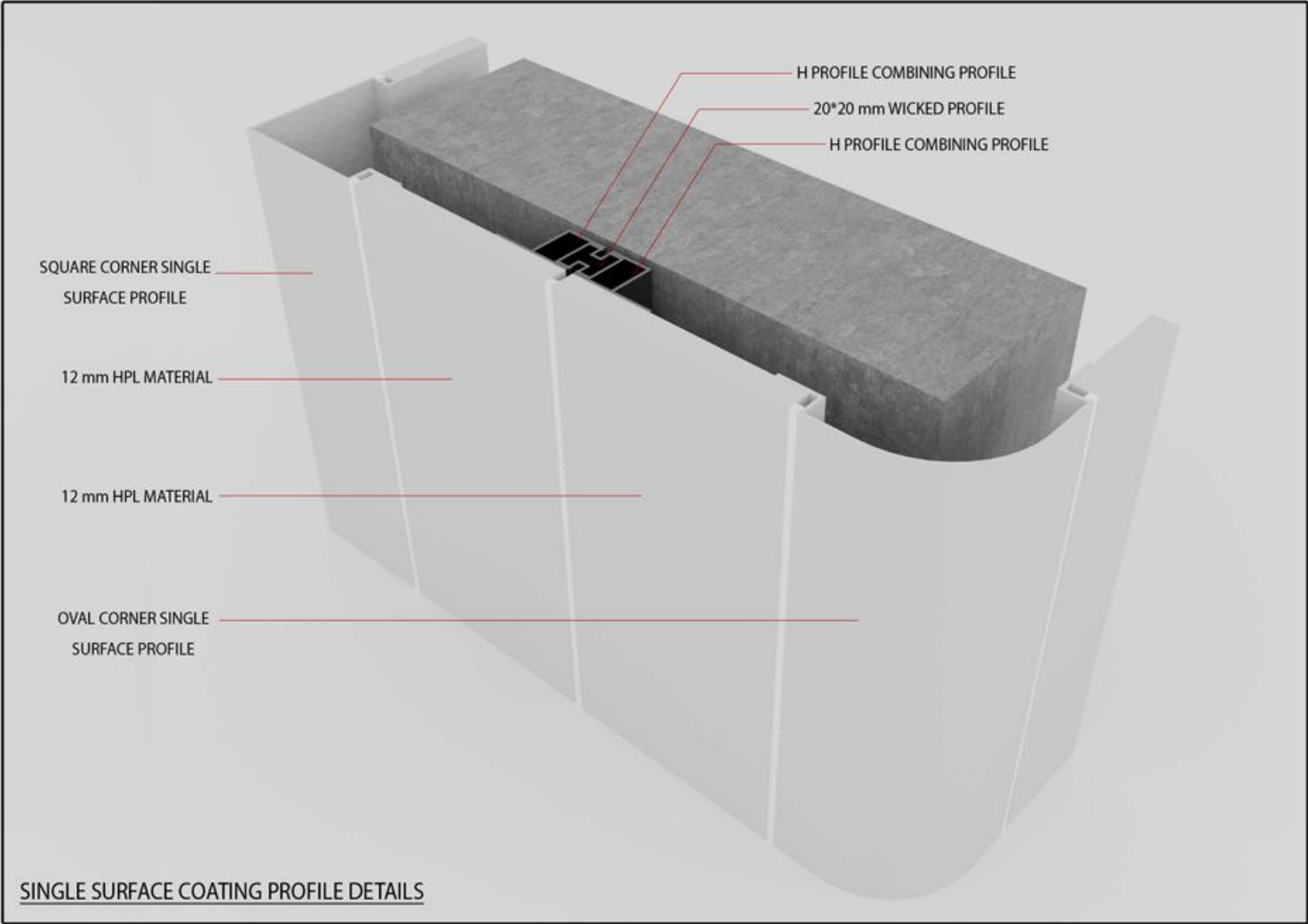
PANEL - GROUND LIFT PROFILE - PLINTH PROFILE DETAILS

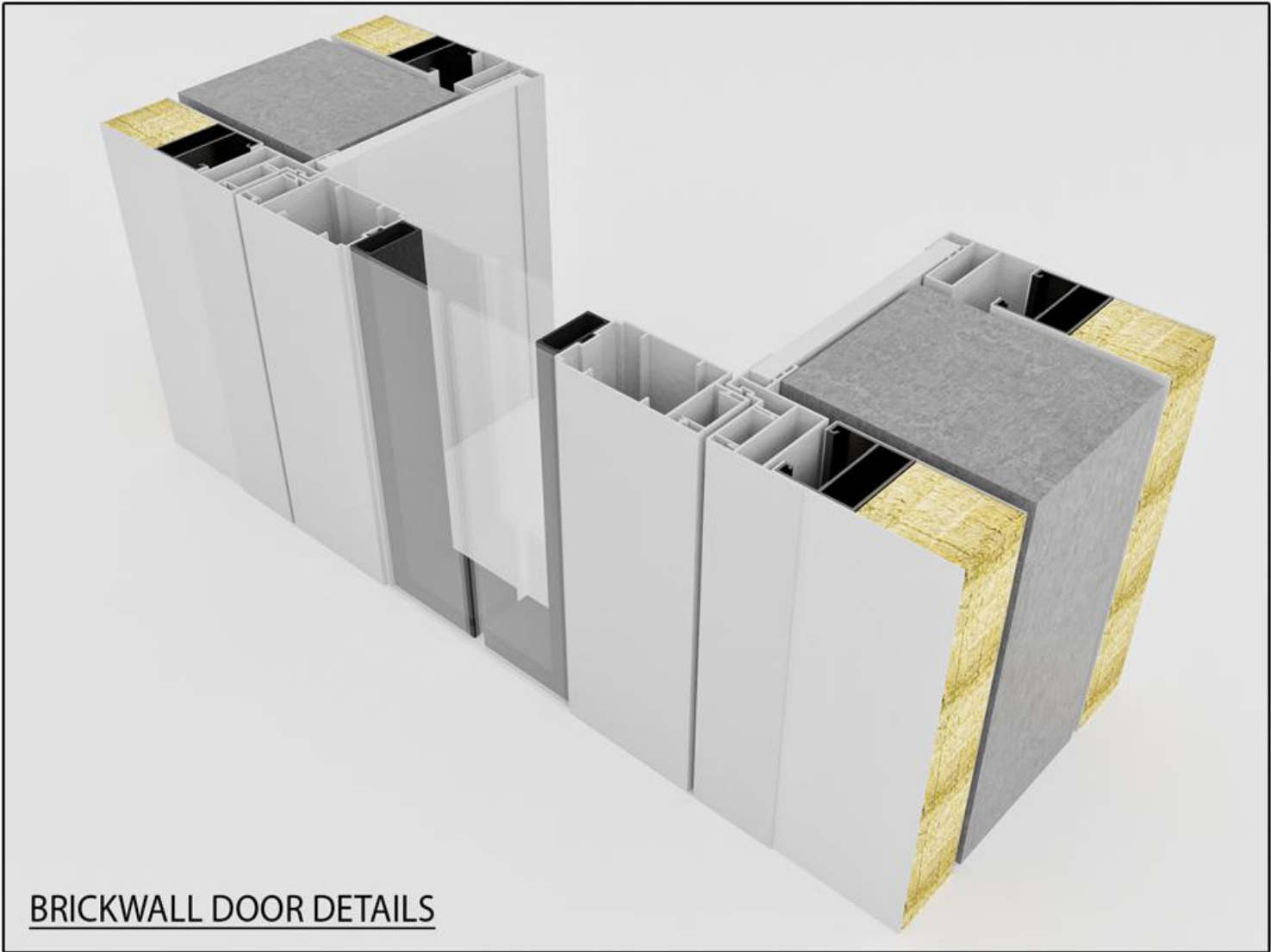


SHEET PANEL - SAC CAP - 12 mm GLASS PROFILE - WICKED PROFILE- SHEET PANEL

HPL PANEL - HPL CAP - 12 mm GLASS PROFILE- WICKED PROFILE - HPL PANEL







BRICKWALL DOOR DETAILS





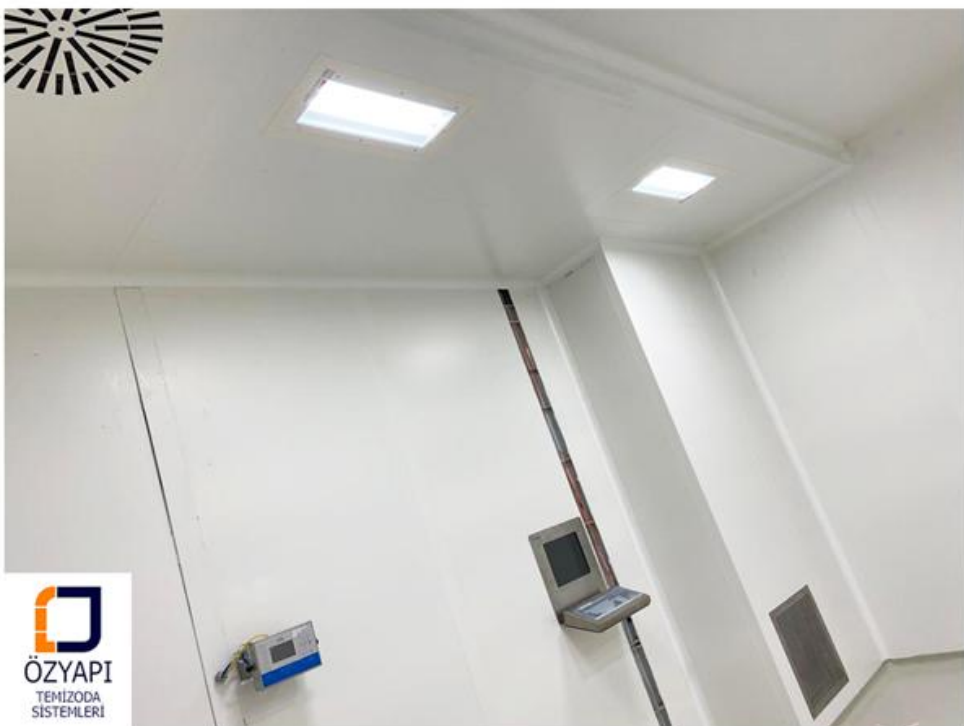















Center: Ayduntepe Mah. 100. Yıl Cad. Vural Sk. No: 9/1 Tuzla - İSTANBUL
Factory: Taşköprü Merkez Mh. Çağdaş Sk. No: 4/A Çiftlikköy - YALOVA

Tel & Faks : 0 (216) 493 65 69

info@cleanroomozyapi.com www.cleanroomozyapi.com