

WWW.SEGER.COM



SEGER



ELECTROMECHANIC HORNS
AIR HORNS S
COMPRESSOR AIR HORNS S
BACK BUZZERS

2023/01

Sound

Founded in 1981 in Bursa, SEGER has been serving the automotive industry successfully with more than 40 years of experience as well as its proven high quality. SEGER, who has become one of the well-known horn manufacturers worldwide, offers high quality horns produced with its advanced process ability.

of Safety

In 2004, SEGER established its 2nd production facility in China in order to meet the exceeding demands to its products and increased its annual production capacity to over 15 million pieces. That way, the company aims to provide the fastest and the best service to its customers spreaded across 5 continents, with the best possible commercial terms and conditions.

The product quality, customer oriented service mentality and continuously improving production technology have placed SEGER among the most notable global horn manufacturers. SEGER takes the demands and complaints of its customers very seriously, accurately analyzes the expectations changing based on customer and market requirements and puts its best efforts to find the most effective solutions against customer complaints. SEGER continuously increases R&D investments towards robust products and designs and high process ability in order to sustain the achieved level. Continuously increasing performance of SEGER is being monitored by the OEM companies and the share of OEM customers including the respectable automobile manufacturers in the world which has exceeded 50% of total sales.

The horn is considered as a security device due to being a sound warning device on vehicle and this category raises the expected performance and durability targets. SEGER horns meet these performance and durability targets raising day by day in every kind of climate with perfection and make a difference against its competitors.

SEGER will continue to march on its path surely with the **“Sound of Safety”** motto and sustain its growth with the **“quality horn”** concept worldwide.



ELECTRO MECHA NIC HORNS



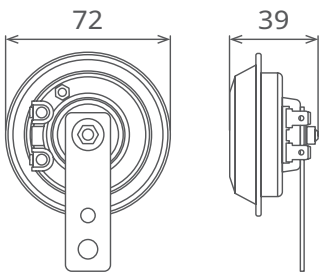
ELECTROMECHANIC

HORNS



ELECTROMECHANIC HORNS

25M



25M electric horn has a compact shape designed specifically for motorcycles. Compatible with any motorcycle model, it is especially applicable for scooter type motorcycles. It offers a high quality sound with smaller and lighter design. It is tested with the latest testing specifications and it can pass the tests without difficulty. It maintains the OEM and EEC requirements with ease. Only available as high tone in 2 terminals and with standard bracket mounted. Packaging; sold in single piece carton packing.

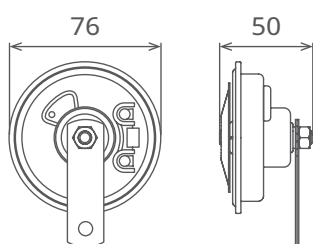
Type	Tone	Voltage	Frequency	Ampere	Sound Level
25M12.100.02K	High	12V	480 Hz ± 20	1.5A	105-118dB(A)



ELECTROMECHANIC HORNS

55B

55B is an electromechanic disc type horn which is the smallest horn in our range. It provides a high quality sound with smaller and lighter design. Mostly used in Japanese, Korean and Asian cars, also in motorcycles. The 55B horn can be mounted as only High tone or only Low tone, or as a set of both to achieve a well balanced and powerful sound. Available with 1 or 2 terminals, connectors of different types may be requested. Universal mounting bracket included.



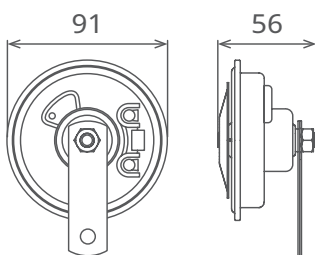
Type	Tone	Voltage	Frequency	Ampere	Sound Level
55BI12.100.02K	High	12V	420 Hz ± 20	3,5A	105/118dB(A)
55BK12.100.02K	Low	12V	350 Hz ± 20	3,5A	105/118dB(A)
55BO12.100.02K	High & Low	12V	420 Hz ± 20 350 Hz ± 20	3,5A+3,5A	105/118dB(A)



ELECTROMECHANIC HORNS

50F

50F is an electromechanic disc type horn designed to work in every challenging conditions. It has the options of 6, 12, and 24 volts. This high-tech horn is designed in a way which is compatible with all type of vehicles especially trucks, buses, heavy duty machines and tractors. Like our other horns, 50F horns can be mounted as only High tone or only Low tone, or as a set of both to achieve a well balanced and powerful sound. Available with 1 or 2 terminals, connectors of different types may be requested. Universal mounting bracket included.



Type	Tone	Voltage	Frequency	Ampere	Sound Level
50FK06.100.02K	Low	6V	335 Hz ± 20	5A	105-118dB(A)
50F12.100.02K	High	12V	435 Hz ± 20	5A	105-118dB(A)
50FK12.100.02K	Low	12V	335 Hz ± 20	5A	105-118dB(A)
50FO12.100.02K	High&Low	12V	435 Hz ± 20 335 Hz ± 20	5A+5A	105-118dB(A)
50F124.100.02K	High	24V	435 Hz ± 20	3A	105-118dB(A)
50FK24.100.02K	Low	24V	335 Hz ± 20	3A	105-118dB(A)
50FO24.100.02K	High&Low	24V	435 Hz ± 20 335 Hz ± 20	3A+3A	105-118dB(A)



ELECTROMECHANIC HORNS

70E

**SUPERSONIC
HORN**



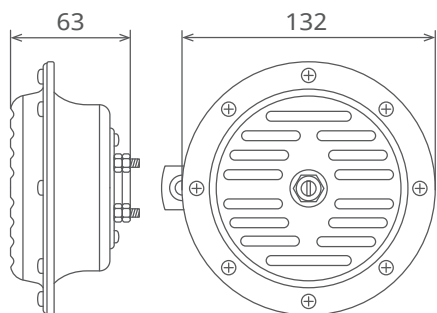
70E disc type horn has a visually excellent design. With 12V and 24V options, 70E supersonic horn is a performance based horn that can be applied on any kind of vehicle.

It is in compliance with the European electromechanic horn related ECE R-28 norm, based on its environment friendly decibel adjustments, quality and technical specifications. As the registration of this compatibility, it has "E1" marking

granted by KBA-TÜV Germany only for SEGER brand to be applied on each horn model respectively.

Depending on customer demands, it is sold as set only with double terminal including the brackets.

Packaging; Set (High & Low Tone) Horns are sold in carton packing. Depending on customer demands, special carton and blister packing options are also offered under long term agreements.



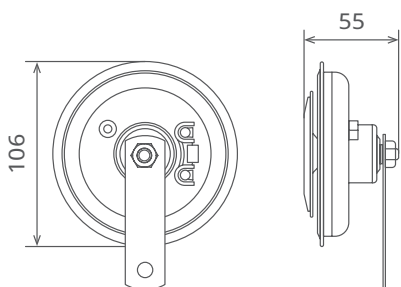
Type	Tone	Voltage	Frequency	Ampere	Sound Level
70EO12.100.02K	High&Low	12V	390 Hz ± 30 320 Hz ± 30	5A+5A	105-118dB(A)
70EO24.100.02K	High&Low	24V	390 Hz ± 30 320 Hz ± 30	3A+ 3A	105-118dB(A)



ELECTROMECHANIC HORNS

45C

45C is an electromechanic disc type horn which is the largest horn in our range. The compact design combined with a high flexibility of use makes this horn the best solution for commercial, agricultural and military vehicles. The 45C horn can be mounted as only High tone or only Low tone, or as a set of both to achieve a well balanced and powerful sound. Available with 1 or 2 terminals, connectors of different types may be requested. Universal mounting bracket included.



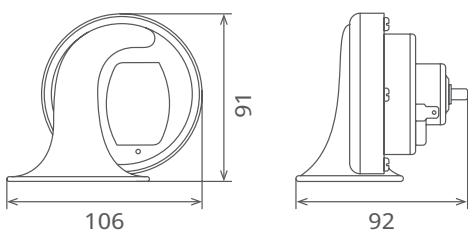
Type	Tone	Voltage	Frequency	Ampere	Sound Level
45CI12.100.02K	High	12V	415 Hz ± 20	5A	105-118dB(A)
45CK12.100.02K	Low	12V	315 Hz ± 20	5A	105-118dB(A)
45CO12.100.02K	High&Low	12V	415 Hz ± 20 315 Hz ± 20	5A+5A	105-118dB(A)
45CI24.100.02K	High	24V	415 Hz ± 20	3A	105-118dB(A)
45CK24.100.02K	Low	24V	315 Hz ± 20	3A	105-118dB(A)
45CO24.100.02K	High&Low	24V	415 Hz ± 20 315 Hz ± 20	3A+3A	105-118dB(A)



ELECTROMECHANIC HORNS

60B

60B is an electromechanic shell type horn with a particularly powerful sound that makes it mostly preferred by the people. Its application includes a wide range of vehicles, especially the passenger cars. The 60B horn can be mounted as only High tone or only Low tone, or as a set of both to achieve a well balanced and powerful sound. Available with 1 or 2 terminals, connectors of different types may be requested. Universal mounting bracket included.



Type	Tone	Voltage	Frequency	Ampere	Sound Level
60BI12.100.02K	High	12V	510 Hz ± 20	6A	105-118dB(A)
60BK12.100.02K	Low	12V	410 Hz ± 20	6A	105-118dB(A)
60BO12.100.02K	High&Low	12V	510 Hz ± 20 410 Hz ± 20	6A+6A	105-118dB(A)
60BT12.100.02K with relay	High&Low	12V	510 Hz ± 20 410 Hz ± 20	6A+6A	105-118dB(A)
60BI24.100.02K	High	24V	510 Hz ± 20	3A	105-118dB(A)
60BK24.100.02K	Low	24V	410 Hz ± 20	3A	105-118dB(A)
60BO24.100.02K	High&Low	24V	510 Hz ± 20 410 Hz ± 20	3A+3A	105-118dB(A)
60BT24.100.02K with relay	High&Low	24V	510 Hz ± 20 410 Hz ± 20	3A+3A	105-118dB(A)



ELECTROMECHANIC HORNS

65V



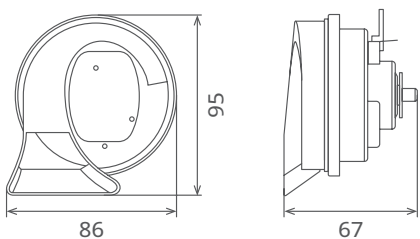
65V mini snail horn is a newly developed horn with smaller dimensions and more compact design. The sound output on the snail is placed downwards. The air discharge unit mounted on its body increases the product durability and performance in addition to providing water resistance.

It is in compliance with the European electromechanic horn related ECE R-28 and EEC70/388 regulations and norms based on its environment friendly decibel adjustments, quality and technical specifications. As

the registration of this compatibility, it has "E1" and "e1" markings granted by KBA-TÜV Germany only for SEGER brand to be applied on each horn model respectively.

Depending on the customer demands, it is sold with single or double terminal, with different connector options, as piece or set including the brackets.

Packaging; Special Seger carton boxes are used based on each horn type.



Type	Tone	Voltage	Frequency	Ampere	Sound Level
65V12.100.02K	High	12V	500 Hz ± 20	6A	105-118dB(A)
65VK12.100.02K	Low	12V	400 Hz ± 20	6A	105-118dB(A)
65VO12.100.02K	High&Low	12V	500 Hz ± 20 400 Hz ± 20	6A + 6A	105-118dB(A)



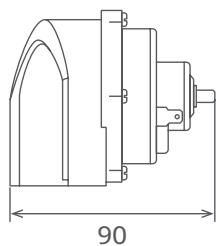
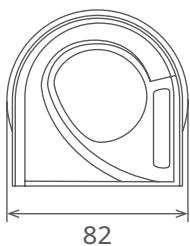
ELECTROMECHANIC HORNS

65G



Our new 65G snail type horn has been developed according to different customers expectations. It offers a high quality sound with smaller and lighter design. Like our other horns, 65G type horns are tested according to the international regulations

and pass the tests without difficulty. It maintains the OEM and EEC requirements with ease. According to customer specifications we are able to produce the horns with 1 or 2 terminals, different options of connectors and the bracket options.



Type	Tone	Voltage	Frequency	Ampere	Sound Level
65GI24.100.02K	High	24V	500 Hz ± 20	3A	105-118dB(A)
65GK24.100.02K	Low	24V	400 Hz ± 20	3A	105-118dB(A)
65GO24.100.02K	High&Low	24V	500 Hz ± 20 400 Hz ± 20	3A+3A	105-118dB(A)
65GT24.100.02K with relay	High&Low	24V	500 Hz ± 20 400 Hz ± 20	3A+3A	105-118dB(A)



ELECTROMECHANIC HORNS

65H



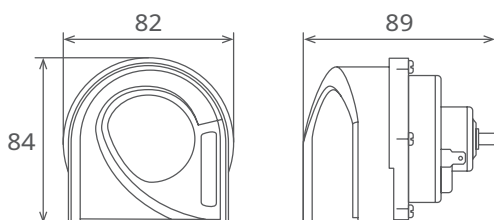
65H horn has the strongest sound level amongst the snail horns with the similar dimensions. It has a compact design in terms of weight and dimensions.

It is in compliance with the European electromechanic horn related ECE R-28 and EEC70/388 regulations and norms based on its environment friendly decibel adjustments, quality and technical specifications. As the registration of this compatibility, it has "E1"

and "e1" markings granted by KBA-TÜV Germany only for SEGER brand to be applied on each horn model respectively.

Depending on the customer demands, it is sold with double terminal, with different connector options, as piece or set including the brackets.

Packaging; Special Seger carton boxes are used based on each horn type.



Type	Tone	Voltage	Frequency	Ampere	Sound Level
65HI12.100.02K	High	12V	500 Hz ± 20	6A	105-118dB(A)
65HK12.100.02K	Low	12V	400 Hz ± 20	6A	105-118dB(A)
65HO12.100.02K	High&Low	12V	500 Hz ± 20 400 Hz ± 20	6A + 6A	105-118dB(A)



HORNS WITH

S
E
T
S
K
E
T
S
C
O
O
S

SUMITOMO
SOCKETS

• HONDA



55B HORNS

50x76mm / 12V

55B I 12.100.03K High Tone
55BK12.100.03K Low Tone
55BO12.100.03K High&Low



DELPHI 1541
SOCKETS

• FIAT
• FORD
• NISSAN
• OPEL
• CHEVROLET



60B HORNS

92x106mm / 12V

60B I 12.100.04K High Tone
60BK12.100.04K Low Tone
60BO12.100.04K High&Low
60BT12.100.04K High&Low W/relay



50F HORNS

56x91mm / 12V

50F I 12.100.04K High Tone
50FK12.100.04K Low Tone
50FO12.100.04K High&Low



DELPHI 1530
SOCKETS

• OPEL
• CHEVROLET



60B HORNS

92x106mm / 12V

60B I 12.100.05K High Tone
60BK12.100.05K Low Tone
60BO12.100.05K High&Low
60BT12.100.05K High&Low W/relay



50F HORNS

56x91mm / 12V

50F I 12.100.05K High Tone
50FK12.100.05K Low Tone
50FO12.100.05K High&Low



JPT SOCKETS

• DACIA
• RENAULT
• CITROEN
• PEUGEOT



60B HORNS

92x106mm / 12V

60B I 12.100.06K High Tone
60BK12.100.06K Low Tone
60BO12.100.06K High&Low
60BT12.100.06K High&Low W/relay



50F HORNS

56x91mm / 12V

50F I 12.100.06K High Tone
50FK12.100.06K Low Tone
50FO12.100.06K High&Low



FCI SOCKETS

• VW
• AUDI
• SKODA
• MERCEDES
• SEAT



60B HORNS

92x106mm / 12V

60B I 12.100.09K High Tone
60BK12.100.09K Low Tone
60BO12.100.09K High&Low
60BT12.100.09K High&Low W/relay



50F HORNS

56x91mm / 12V

50F I 12.100.09K High Tone
50FK12.100.09K Low Tone
50FO12.100.09K High&Low



K-JET 2X
SOCKETS

• VW
• AUDI
• SKODA
• MERCEDES
• SEAT



60B HORNS

92x106mm / 12V

60B I 12.100.10K High Tone
60BK12.100.10K Low Tone
60BO12.100.10K High&Low
60BT12.100.10K High&Low W/relay



50F HORNS

56x91mm / 12V

50F I 12.100.10K High Tone
50FK12.100.10K Low Tone
50FO12.100.10K High&Low



MOLEX SOCKETS

new

• HYUNDAI



60B HORNS

92x106mm / 12V

60B I 12.100.12K High Tone
60BK12.100.12K Low Tone
60BO12.100.12K High&Low
60BT12.100.12K High&Low W/relay



50F HORNS

56x91mm / 12V

50F I 12.100.12K High Tone
50FK12.100.12K Low Tone
50FO12.100.12K High&Low



SICMA3
SOCKETS

new

• PEUGEOT
• CITROEN



60B HORNS

92x106mm / 12V

60B I 12.100.13K High Tone
60BK12.100.13K Low Tone
60BO12.100.13K High&Low
60BT12.100.13K High&Low W/relay



50F HORNS

56x91mm / 12V

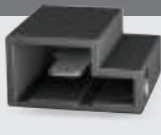
50F I 12.100.13K High Tone
50FK12.100.13K Low Tone
50FO12.100.13K High&Low



TOYOTA
SOCKETS

new

• TOYOTA



50F HORNS

56x91mm / 12V

50F I 12.100.14K High Tone
50FK12.100.14K Low Tone
50FO12.100.14K High&Low



BBACK

BUZZERS

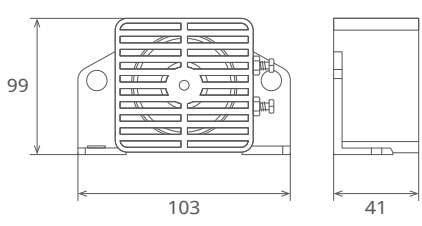


BACK BUZZERS



BACK BUZZER

20GK



Seger back buzzer which is developed for passenger, light and heavy commercial vehicles, has the ability to work within the range of 9V and 48V.

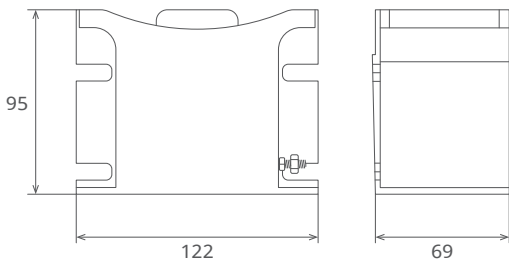
With its high sound level, it has an excellent effect in warning the person or persons standing at the back during the reverse maneuvers of the vehicles.

Type	Voltage	Ampere	Sound Level
20GK0948K	9V - 48V	0,1A - 0,6A	110dB(A)



BIG BACK BUZZER

21GK



Developed for light commercial, heavy commercial and construction vehicles, Seger back buzzer horn operates within the range of 12 Volts and 48 Volts. It is preferred at noisy construction sites where construction vehicles operate.

With the sound level of 115 db, it has an excellent effect on warning the vehicles as well as pedestrians in the back during back maneuvers.

Type	Voltage	Ampere	Sound Level
21GK1248K	12V - 48V	1A - 1,5A	115dB(A)

TAKE YOUR HORNS



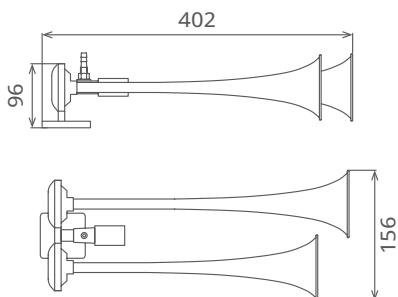


AIR HORNS



AIR HORNS

80AH



Single blasting sound, two trumpets (sound typology changes according to number of trumpets). Single solenoid type, only for vehicles equipped with an air tank on board. Available as 12V or 24V. Trumpets are in aluminium, colour may be red or chrome.

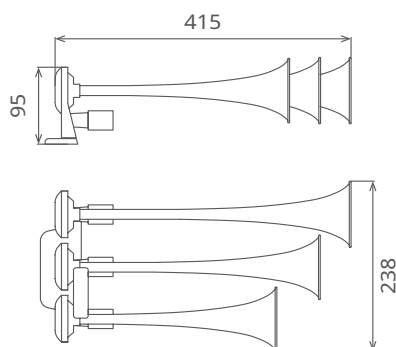
Type	Voltage	Ampere	Sound Level	Air Source
80AH12.100.02K	12V	2A	125dB(A)	6 Kg/cm ²
80AH24.100.02K	24V	1A	125dB(A)	6 Kg/cm ²



AIR HORNS

86EH

Manually Operable



86EH air horn has 2 melodies and 3 red plastic trumpets in lengths of 26 cm, 30 cm and 34 cm respectively.

Used only in vehicles with an air tank on board. Available in 12V and 24V.

Packaging; Each horn is packed with special SEGER carton boxes.

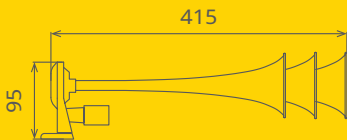
Type	Voltage	Ampere	Sound Level	Air Source
86EH12.100.03K	12V	2A	125dB(A)	6 Kg/cm ²
86EH24.100.03K	24V	1A	125dB(A)	6 Kg/cm ²



AIR HORNS

86EM

Mehter Horn



86EM air horn has 8 melodies and 3 RED COLOR PLASTIC trumpets in lengths of 26 cm, 30 cm and 34 cm respectively.

The melody options of the horn, which is controlled by the driver through an electronic control unit, can be selected by using the button attached to the Electronic Control Panel. The melodies included in this product are the variations of Historical Turkish Mehteran March.

Used only in vehicles with air tank on board. Available in 12V and 24V.

Packaging; Each horn is packed with special SEGER carton boxes.

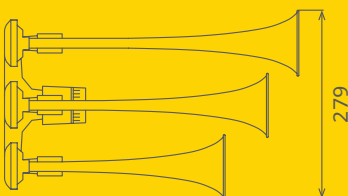
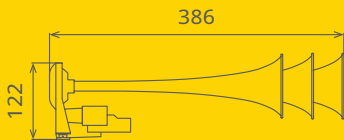
Type	Voltage	Ampere	Sound Level	Air Source
86EM12.100.03K	12V	2A	125dB(A)	6 Kg/cm ²
86EM24.100.03K	24V	1A	125dB(A)	6 Kg/cm ²



AIR HORNS

86EN

NOSTALGIA HORN



86EN air horn has 8 melodies and 3 RED COLOR trumpets in lengths of 26 cm, 30 cm and 34 cm respectively.

The melody options of the horn, which is controlled by the driver through an electronic control unit, can be selected by using the button attached to the Electronic Control Panel. The melodies included in this product are a selection of famous Turkish Pop/Folk songs.

Used only in vehicles with air tank on board. Available in 12V and 24V.

Packaging; Each horn is packed with special SEGER carton boxes.

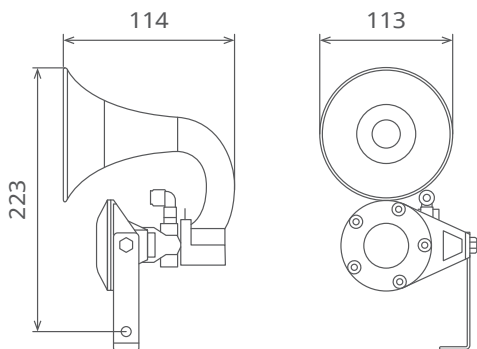
Type	Voltage	Ampere	Sound Level	Air Source
86EN12.100.03K	12V	2A	125dB(A)	6 Kg/cm ²
86EN24.100.03K	24V	1A	125dB(A)	6 Kg/cm ²



AIR HORNS

80JH

UNICHORN



Developed with the purpose of eliminating the problems in terms of horn connection spots due to increasing technological equipments inside the new generation heavy commercial vehicles, 80JH unichorn occupies significantly less space with its single curved trumpet and compact design.

Packaging; each horn is packed with special SEGER carton boxes.

Type	Voltage	Ampere	Sound Level	Air Source
80JH12.100.01K	12V	2A	125dB(A)	6 Kg/cm ²
80JH24.100.01K	24V	1A	125dB(A)	6 Kg/cm ²



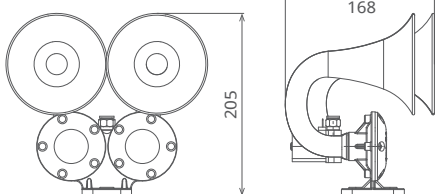
AIR HORNS

81JH

**RAM
HORN**



Developed with the purpose of eliminating the problems in terms of horn connection spots due to increasing technological equipments inside the new generation heavy commercial vehicles. 81JH which is known as ramhorn is the two pipe version of 80JH horn. It occupies significantly less space with its double curved trumpet and compact design. Packaging; each horn is packed with special SEGER carton boxes.

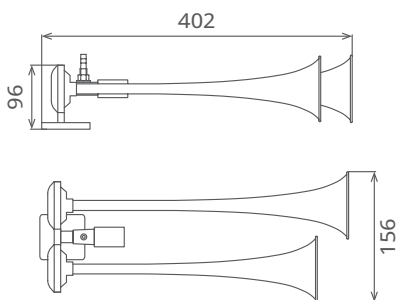


Type	Voltage	Ampere	Sound Level	Air Source
81JH12.100.02K	12V	2A	125dB(A)	6 Kg/cm ²
81JH24.100.02K	24V	1A	125dB(A)	6 Kg/cm ²



AIR HORNS

82AH



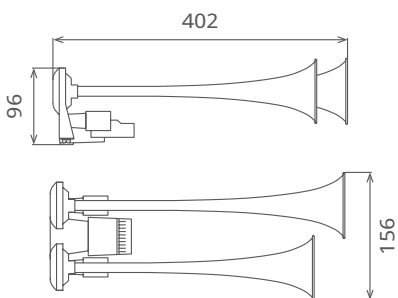
Single blasting sound, two trumpets (sound typology changes according to number of trumpets). Single solenoid type, only for vehicles equipped with an air tank on board. Available as 12V or 24V. Trumpets are in aluminium, colour may be red or chrome.

Type	Voltage	Ampere	Sound Level	Air Source
82AH12.100.02K	12V	2A	125dB(A)	6 Kg/cm ²
82AH24.100.02K	24V	1A	125dB(A)	6 Kg/cm ²



AIR HORNS

82DH



Outstanding alternate sound (2 sounds), two trumpets (sound typology changes according to number of trumpets). Double solenoid, with an electronic circuit also. Only for vehicles equipped with an air tank on board. Available as 12V or 24V. Trumpets are in aluminium, colour may be red or chrome.

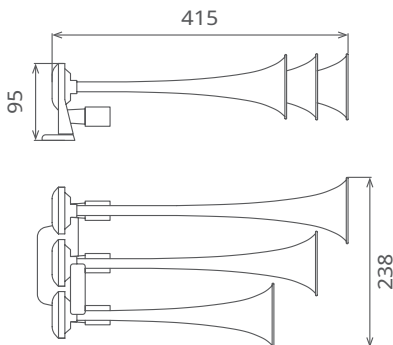
Type	Voltage	Ampere	Sound Level	Air Source
82DH12.100.02K	12V	2A	125dB(A)	6 Kg/cm ²
82DH24.100.02K	24V	1A	125dB(A)	6 Kg/cm ²



AIR HORNS

82EH

Manually Operable



82EH air horn has 2 melodies and 3 chromium plated trumpet in lengths of 26 cm, 30 cm. and 34 cm. respectively.

Used only in vehicles with an air tank on board. Available in 12V and 24V.

Packaging; Each horn is packed with special SEGER carton boxes.

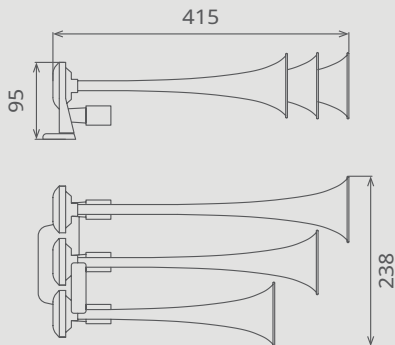
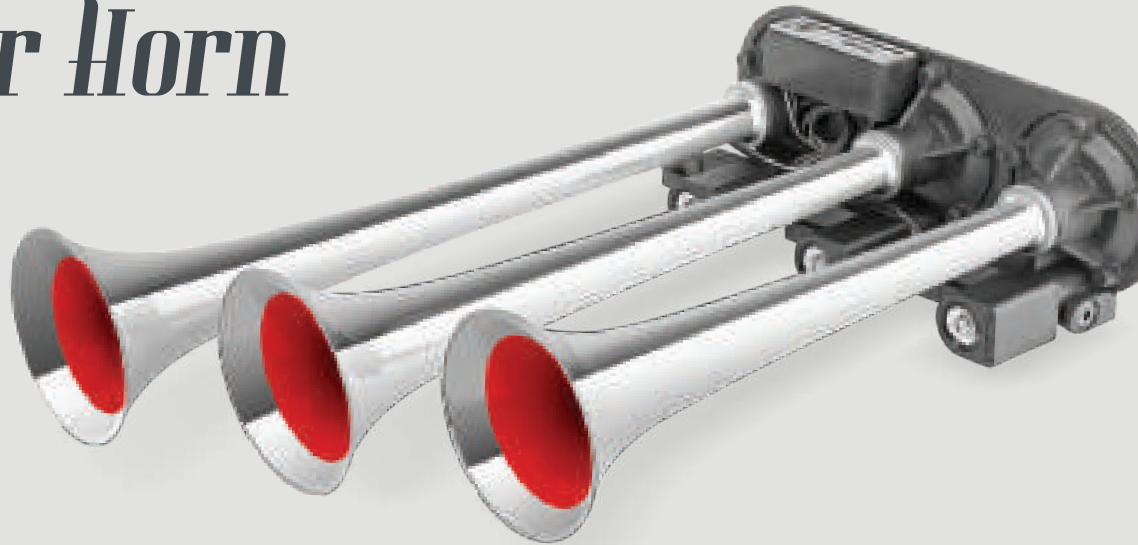
Type	Voltage	Ampere	Sound Level	Air Source
82EH12.100.03K	12V	2A	125dB(A)	6 Kg/cm ²
82EH24.100.03K	24V	1A	125dB(A)	6 Kg/cm ²



AIR HORNS

82EM

Mehter Horn



82EM air horn has 8 melodies and 3 CHROMIUM PLATED trumpets in lengths of 26 cm, 30 cm and 34 cm respectively.

The melody options of the horn, which is controlled by the driver through an electronic control unit, can be selected by using the button attached to the Electronic Control Panel. The melodies included in this product are the variations of Historical Turkish Mehteran March.

Used only in vehicles with air tank on board. Available in 12V and 24V.

Packaging; Each horn is packed with special SEGER carton boxes.

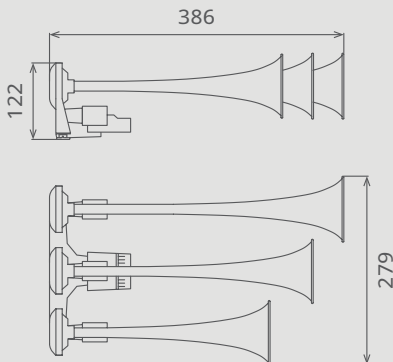
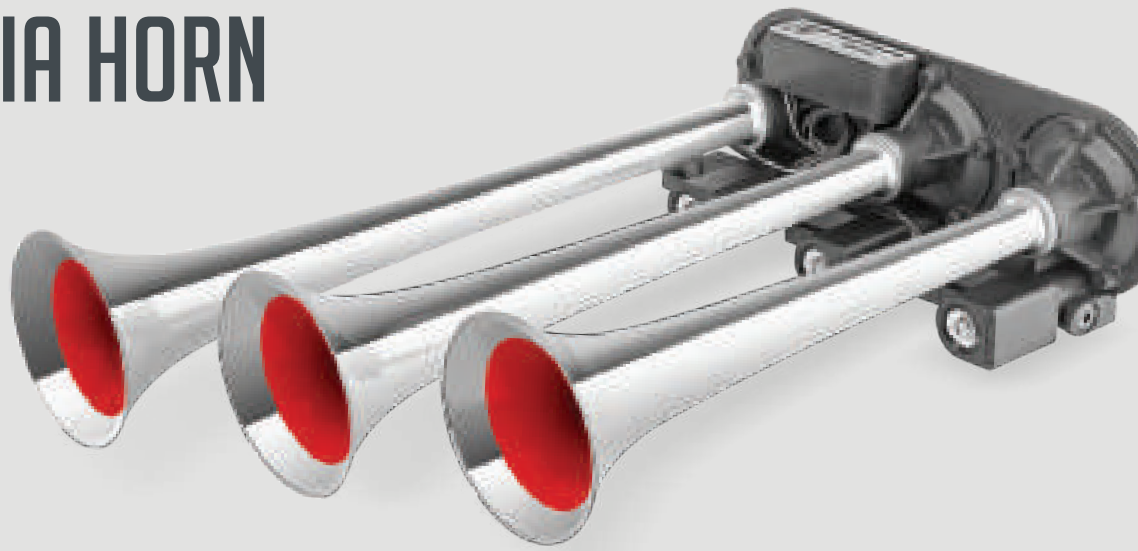
Type	Voltage	Ampere	Sound Level	Air Source
82EM12.100.03K	12V	2A	125dB(A)	6 Kg/cm ²
82EM24.100.03K	24V	1A	125dB(A)	6 Kg/cm ²



AIR HORNS

82EN

NOSTALGIA HORN



82EN air horn has 8 melodies and 3 CHROMIUM PLATED trumpets in lengths of 26 cm, 30 cm and 34 cm respectively.

The melody options of the horn, which is controlled by the driver through an electronic control unit, can be selected by using the button attached to the Electronic Control Panel. The melodies included in this product are a selection of famous Turkish Pop/Folk songs.

Used only in vehicles with air tank on board. Available in 12V and 24V. Packaging; Each horn is packed with special SEGER carton boxes.

Type	Voltage	Ampere	Sound Level	Air Source
82EN12.100.03K	12V	2A	125dB(A)	6 Kg/cm ²
82EN24.100.03K	24V	1A	125dB(A)	6 Kg/cm ²

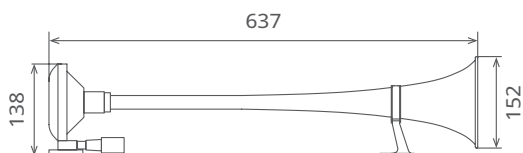
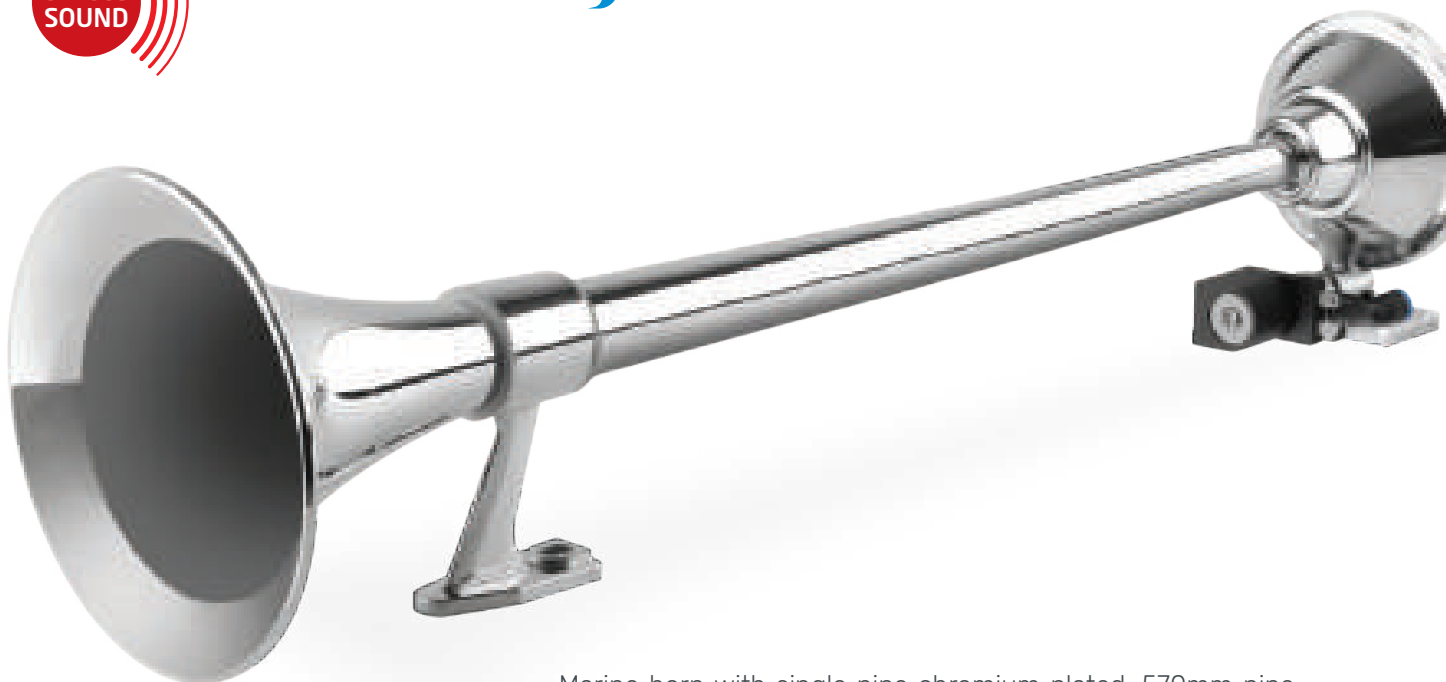


AIR HORNS

82MH



Marine Horn



Marine horn with single pipe chromium plated, 570mm pipe length. Single very powerful sound. Single solenoid available with both 12V/24V at the same time. Only for vehicles equipped with an air tank on board such as boats, vessels and heavy duty vehicles.

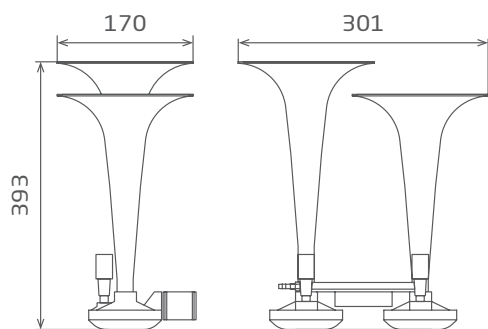
Type	Voltage	Ampere	Sound Level	Air Source
82MH01.100.01K	12V&24V	5A-10A	115dB (A)	6 Kg/cm ²



AIR HORNS

81DH

**TURBO
TGV**



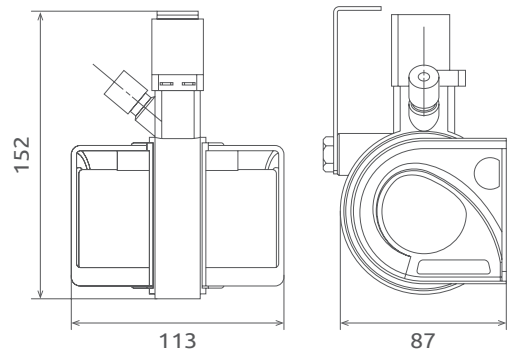
Also known as TGV horn with a very high level of sound. Double solenoid, with an electronic circuit also. Only for vehicles equipped with an air tank on board. Available as 12V or 24V. Trumpets are made of zamak material, colour may be black or chrome.

Type	Voltage	Ampere	Sound Level	Air Source
81DH12.100.02K	12V	2A	125dB(A)	6 Kg/cm ²
81DH24.100.02K	24V	1A	125dB(A)	6 Kg/cm ²



AIR HORNS

90AH



Compact design, combines the air horn principle with snail shape design. It covers less space and the sound is powerful with clear tone. Single sound, two snails made of ABS. Single solenoid type, only for vehicles equipped with an air tank on board. Available as 12V or 24V.

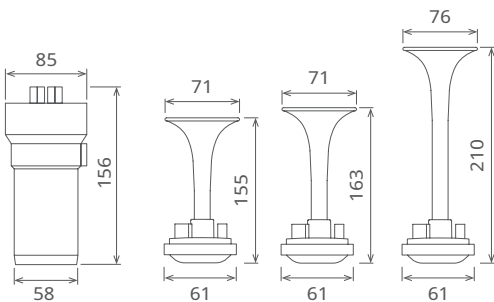
Type	Voltage	Ampere	Sound Level	Air Source
90AH12.100.00K	12V	4A-6A	115dB(A)	4-6 Kg/cm ²
90AH24.100.00K	24V	3A-5A	115dB(A)	4-6 Kg/cm ²



COMPRESSOR AIR HORNS

80KH

3 TRUMPETS



No need for an air tank on board. Kit includes heavy-duty compressor, relay, hose and mounting hardware. Harmonic sound with three trumpets made of durable plastic with colour of red or chromium plated. Available with 12V or 24V

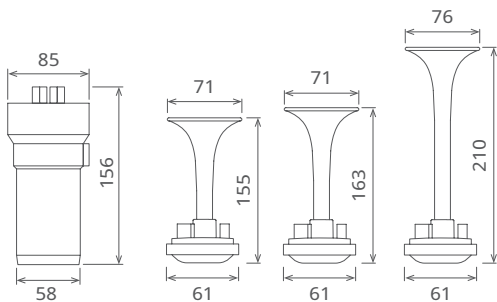
Type	Voltage	Ampere	Sound Level	Air Source	Trumpets
80KH12.100.03B	12V	21A	115dB (A)	12Kg/cm ²	3 pieces
80KH24.100.03B	24V	14A	115dB (A)	12Kg/cm ²	3 pieces



COMPRESSOR AIR HORNS

82KH

3 TRUMPETS



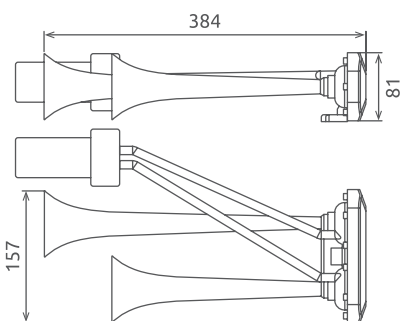
No need for an air tank on board. Kit includes heavy-duty compressor, relay, hose and mounting hardware. Harmonic sound with three trumpets made of durable plastic with colour of red or chromium plated. Available with 12V or 24V

Type	Voltage	Ampere	Sound Level	Air Source	Trumpets
82KH12.100.03B	12V	21A	115dB (A)	12Kg/cm ²	3 pieces
82KH24.100.03B	24V	14A	115dB (A)	12Kg/cm ²	3 pieces



COMPRESSOR AIR HORNS

85KH



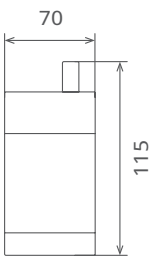
Our new 85KH compressor air horn has the top quality and powerful sound. Moreover, it is cheaper than equivalent compressor air horns of other European brands (European made). Double sound, two metal trumpets of chrome coating. Trumpets are 26cm and 34cm. No need an air tank on the vehicle because 85KH has its own air compressor. Available as 12V or 24V.

Type	Voltage	Ampere	Sound Level	Air Source
85KH12.100.02K	12V	15A-20A	110/115 dB(A)	Compressor
85KH24.100.02K	24V	10A-15A	110/115 dB(A)	Compressor



COMPRESSOR AIR HORNS

83KM



No need for an air tank on board. Kit includes heavy-duty compressor, relay, hose and mounting hardware. Single sound with a single trumpet made of enduring plastic with colour of chromium plated. Pipe length is 350mm. Available only in 12V.

Type	Voltage	Ampere	Sound Level	Air Source
83KM12.100.01B	12V	26A	115dB (A)	1 Kg/cm ²
83KM24.100.01B	24V	15A	115dB (A)	1 Kg/cm ²

SPARE PARTS

VALVES



MECHANIC AIR
12HV0200

VALVES



PNEUMATIC CONNECTION
12HV0400

VALVES



NEW DESIGN
12HV0500

BOBBIN



71HB1200 12V
71HB2400 24V

BOBBIN

WITH VALVE
WITH PNEUMATIC
CONNECTION



11HV0400 12V
11HV0500 24V

BOBBIN

WITH VALVE



11HV7112 12V
11HV7124 24V



ELECTRONIC CIRCUIT UNIT

32EC0000	12V/24V	FOR	81DH
32EF0000	12V/24V	FOR	82EH & 86EH
32EG0000	12V/24V	FOR	82DH
32EM0000	12V/24V	FOR	82EM & 86EM
32EN0000	12V/24V	FOR	82EN & 86EN

SPECIAL



RELAYS

Type	Voltage	Ampere	Pin	Color	Dimensions (mm)				
					A	B	C	D	E
32SS1234	12V	30	4	Black	27	28	23	7	12,5
32SS1235	12V	30	5	Black	27	28	23	7	12,5
32SS1424	24V	20	4	Black	27	28	23	7	12,5
32SS1425	24V	20	5	Black	27	28	23	7	12,5

REFERENCE	INNER PACKAGING	PIECE SET	QUANTITY FOR MASTER CARTON	MASTER CARTON DIMENSIONS (CM)	MASTER CARTON WEIGHT (KG)	REFERENCE	INNER PACKAGING	PIECE SET	QUANTITY FOR MASTER CARTON	MASTER CARTON DIMENSIONS (CM)	MASTER CARTON WEIGHT (KG)
BACK BUZZER						65HI12.100.02K	BOX	PCS	45	35 x 42 x 39	13,60
20GK0948	BOX	PCS	50	18 x 26 x 58	19,15	65HK12.100.02K	BOX	PCS	45	35 x 42 x 39	13,60
21GK1248	BOX	PCS	24	33 x 28 x 33	15,85	65HO12.100.02K	BOX	SET	24	35 x 42 x 39	15,40
						65HT12.100.02K	BOX	SET	24	35 x 42 x 39	15,65
ELECTROMECHANIC HORNS						65VI12.100.02K	BOX	PCS	45	35 x 42 x 39	11,90
25MI12.000.02	BOX	PCS	50	38 x 23 x 23	6,85	65VK12.100.02K	BOX	PCS	45	35 x 42 x 39	12,05
45CK12.100.02K	BOX	PCS	45	34 x 42 x 42	15,35	65VO12.100.02K	BOX	SET	24	35 x 42 x 39	11,25
45CO12.100.02K	BOX	SET	18	43 x 36 x 31	9,65	65VT12.100.02K	BOX	SET	24	35 x 42 x 39	11,25
45CI24.100.02K	BOX	PCS	45	34 x 42 x 42	14,75	65GI24.100.02K	BOX	PCS	45	35 x 42 x 39	13,60
45CK24.100.02K	BOX	PCS	45	34 x 42 x 42	14,90	65GK24.100.02K	BOX	PCS	45	35 x 42 x 39	13,60
45CO24.100.02K	BOX	SET	18	43 x 36 x 31	10,60	65GO24.100.02K	BOX	SET	24	35 x 42 x 39	12,95
50FI12.100.02K	BOX	PCS	50	35 x 42 x 39	14,10	65GT24.100.02K	BOX	SET	24	35 x 42 x 39	13,55
50FK12.100.02K	BOX	PCS	50	35 x 42 x 39	13,80	70EO12.100.02K	BOX	SET	12	51 x 32 x 35	20,85
50FO12.100.02K	BOX	SET	24	35 x 42 x 39	13,45	70EO24.100.02K	BOX	SET	12	51 x 32 x 35	20,85
50FI24.100.02K	BOX	PCS	50	35 x 42 x 39	14,20	AIR HORNS					
50FK24.100.02K	BOX	PCS	50	35 x 42 x 39	13,90	80AH	BOX	PCS	10	63 x 41 x 44	10,75
50FO24.100.02K	BOX	SET	24	35 x 42 x 39	13,55	80JH	BOX	PCS	10	35 x 50 x 34	6,60
55BI12.100.02K	BOX	PCS	50	35 x 42 x 39	10,70	81JH	BOX	PCS	8	33 x 47 x 53	7,25
55BK12.100.02K	BOX	PCS	50	35 x 42 x 39	10,70	86EH	BOX	PCS	8	63 x 41 x 44	11,25
55BO12.100.02K	BOX	SET	39	35 x 42 x 39	16,25	86EM	BOX	PCS	8	63 x 41 x 44	11,25
60BI12.100.02K	BOX	PCS	45	35 x 42 x 39	12,20	86EN	BOX	PCS	8	63 x 41 x 44	11,25
60BK12.100.02K	BOX	PCS	45	35 x 42 x 39	12,25	90AH	BOX	PCS	27	35 x 50 x 34	14,30
60BO12.100.02K	BOX	SET	24	35 x 42 x 39	14,90	81DH	BOX	PCS	3	57 x 40 x 41	8,55
60BT12.100.02K	BOX	SET	24	35 x 42 x 39	15,40	82AH	BOX	PCS	10	63 x 41 x 44	12,00
60BI24.100.02K	BOX	PCS	45	35 x 42 x 39	13,35	82DH	BOX	PCS	6	63 x 41 x 44	10,55
60BK24.100.02K	BOX	PCS	45	35 x 42 x 39	13,55	82EH	BOX	PCS	8	63 x 41 x 44	15,05
60BO24.100.02K	BOX	SET	24	35 x 42 x 39	14,80	82EM	BOX	PCS	8	63 x 41 x 44	15,05
60BT24.100.02K	BOX	SET	24	35 x 42 x 39	15,35	82EN	BOX	PCS	8	63 x 41 x 44	15,05
60EI12.100.02K	BOX	PCS	45	35 x 42 x 39	12,65	82MH	BOX	PCS	6	66 x 43 x 51	14,20
60EK12.100.02K	BOX	PCS	45	35 x 42 x 39	12,75	COMPRESSOR AIR HORNS					
60EO12.100.02K	BOX	SET	24	35 x 42 x 39	13,55	80KH	BLISTER	PCS	10	46 x 29 x 43	8,60
60ET12.100.02K	BOX	SET	24	35 x 42 x 39	14,15	82KH	BLISTER	PCS	10	46 x 29 x 43	8,60
60EI24.100.02K	BOX	PCS	45	35 x 42 x 39	13,70	83KM	BLISTER	PCS	10	33 x 47 x 47	13,80
60EK24.100.02K	BOX	PCS	45	35 x 42 x 39	13,85	85KH	BOX	PCS	10	57 x 40 x 41	16,60
60EO24.100.02K	BOX	SET	24	35 x 42 x 39	14,10						
60ET24.100.02K	BOX	SET	24	35 x 42 x 39	14,75						



SEGER SES ve
ELEKTRİKLİ GEREÇLER SAN. A.Ş.

Demirtaş Dumlupınar OSB
Mustafa Karaer Cd. No: 22
Osmangazi 16110 Bursa Türkiye

Tel +90 (224) 261 03 11
Fax +90 (224) 261 03 17

info@seger.com



DONGGUAN
SEGER AUTO PARTS CO. LTD.

Dongxing Industrial Zone,
Wangniudun Town,
Dongguan City, Guangdong Province,
China, 523200

WWW.**SEGER**.COM