

PRODUCTS



INTELLIGENT VACUUM

LIFTING SOLUTION



SMARTLIFT®

THE SAFE CHOICE

WORK SMARTER

Having a Smartlift on your team will make you **work faster and safer**. Minimize the risk of injuries from heavy lifting and work up to twice as fast during installation.

In high-rise projects, you will experience **considerable savings** compared to using a large crane outside the building. Simply install from the inside and optimize logistics by placing the glass on each floor during initial construction.

PREFERRED BY PROFESSIONALS

Every component in a Smartlift is carefully selected to ensure maximum **precision, reliability and usability**. This allows for stepless and safe operation of any Smartlift model.

We have full control of the entire supply chain and assembly processes. Therefore, we have the knowhow, flexibility and capability to act quickly and meet customer requirements.

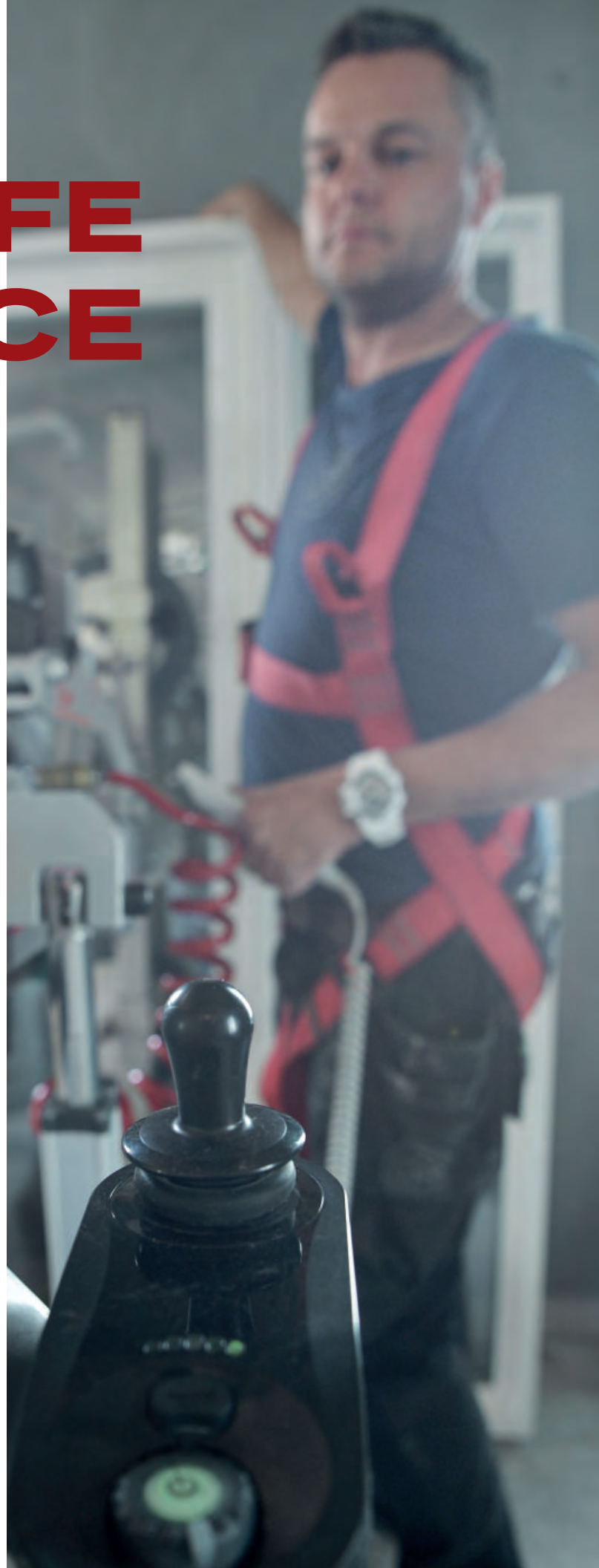
Buying a Smartlift gives you freedom to choose from a variety of factory-installed options. Customize your lift and then add accessories for even greater utilization.

We are experts in vacuum robot technology and we know the value of swift and precise **after-sales support and service**. When you own a Smartlift, we do our best to keep you working without interruption.

JOIN THE REVOLUTION

At Smartlift, we believe that hard work and new ideas combined can drive technology and improve the way that people work. We are committed to revolutionize the glass installation process by making the best glazing robots in the industry.

That's why Smartlift is considered **the safe choice** among professionals all over the world.





HIGHLIGHT

Joystick control:

This lift can turn around its own axis using the joystick.



SL208 INDOOR

LIFTS UP TO 440 LBS.

The SL208 Indoor is our most compact and manoeuvrable lift. Easy to control using a joystick and supported by two powerful 1,500W electric motors making the lift capable of rotating on its own axis.

This glass robot is ideal for indoor installation where space might be limited or in industrial production facilities.

TECHNICAL SPECIFICATIONS

| | |
|-------------------------|----------------------|
| Lifting cap. arm in/out | 440/330 lbs. |
| Lifting height | 104 in. |
| Extension of arm | 20 in. |
| Tilt | 54° back / 100° fwd. |
| Side shift | - |
| Charging voltage | 230 V / 110V |
| Charging time | Approx. 8 hrs. |
| Battery (2 x 12V) | 2 x 70 Ah |
| Running period | Up to 10 hrs. |
| Rear-wheel drive | 2 x 1,500 W DC |
| Brake | Electro-magnetic |
| Suction pads | 4 x Ø8 in. |
| Width | 28 in. |
| Curb weight | 1,060 lbs. |



TURNING RADIUS
34 INCHES



LIFTING HEIGHT
104 INCHES



Compact in size and tight turning radius

BUILD YOUR SMARTLIFT

| | |
|---------------------------------|----|
| Foam-filled tyres | NA |
| Electric key switch | ■ |
| White, non-marking tires | ■ |
| Special Color | ■ |
| Wireless remote | ■ |
| Manual extension of the arm | NA |
| Electrical extension of the arm | NA |
| Electrical rotating yoke | NA |

■ Select the options you need



HIGHLIGHT

Steering handle:

Most Smartlifts are equipped with an intuitive and ergonomic drive handle.



SL280 INDOOR

LIFTS UP TO 620 LBS.

The SL280 Indoor is a compact glass robot with more lifting capacity. The unique feature of this lift is the slim frame width of only 25 in. This is probably the slimmest indoor glazing robot in the market today and it does not compromise on precision and ease of operation.

The rear wheel drive makes it very maneuverable with a tight turning radius. The puncture proof tires provide a secure grip on most surfaces.



SIDE SHIFT
4 INCHES



LIFTING HEIGHT
108 INCHES



More lifting power in a compact design

TECHNICAL SPECIFICATIONS

| | |
|-------------------------|----------------------|
| Lifting cap. arm in/out | 620/350 lbs. |
| Lifting height | 108 in. |
| Extension of arm | 20 in. |
| Tilt | 49° back / 104° fwd. |
| Side shift | 4 in. |
| Charging voltage | 230 V / 110V |
| Charging time | Approx. 8 hrs. |
| Battery (2 x 12V) | 2 x 60 Ah |
| Running period | Up to 10 hrs. |
| Rear-wheel drive | 700 W DC |
| Brake | Electro-magnetic |
| Suction pads | 4 x Ø8 in. |
| Width | 25 in. |
| Curb weight | 1,080 lbs. |

BUILD YOUR SMARTLIFT

| | |
|---------------------------------|----|
| Foam-filled tyres | NA |
| Electric key switch | ■ |
| White, non-marking tires | ■ |
| Special Color | ■ |
| Wireless remote | ■ |
| Manual extension of the arm | NA |
| Electrical extension of the arm | NA |
| Electrical rotating yoke | NA |

■ Select the options you need



HIGHLIGHT

Remote control:

All electric Smartlifts have a wired remote control for adjusting the arm and yoke.



SL380 INDOOR

LIFTS UP TO 840 LBS.

The SL380 Indoor is a powerful mid-range vacuum lifter for indoor use and it has sideways shifting up to 4 inches for higher flexibility during installation.

The rear-wheel drive makes the lift very manoeuvrable in narrow corridors and small spaces. Puncture proof tires provide a secure grip on most surfaces.



SIDE SHIFT
4 INCHES



LIFTING HEIGHT
104 INCHES



The SL380 Indoor combines lifting power and flexible use indoors

TECHNICAL SPECIFICATIONS

| | |
|-------------------------|----------------------|
| Lifting cap. arm in/out | 840/460 lbs. |
| Lifting height | 104 in. |
| Extension of arm | 20 in. |
| Tilt | 49° back / 105° fwd. |
| Side shift | 4 in |
| Charging voltage | 230 V / 110V |
| Charging time | Approx. 8 hrs. |
| Battery (2 x 12V) | 2 x 60 Ah |
| Running period | Up to 10 hrs. |
| Rear-wheel drive | 700 W DC |
| Brake | Electro-magnetic |
| Suction pads | 4 x Ø8 in. |
| Width | 27 in. |
| Curb weight | 1,170 lbs. |

BUILD YOUR SMARTLIFT

| | |
|---------------------------------|----|
| Foam-filled tyres | NA |
| Single Gyro | ■ |
| Electric key switch | ■ |
| White, non-marking tires | ■ |
| Special Color | ■ |
| Wireless remote | ■ |
| Manual extension of the arm | NA |
| Electrical extension of the arm | NA |
| Electrical rotating yoke | NA |

■ Select the options you need



HIGHLIGHT

Safety first:
Any Smartlift has several safety features built in to prevent overload and accidents.



SL580 INDOOR

LIFTS UP TO 1,280 LBS.

Do not under estimate this heavy-duty vacuum lifter. The SL580 Indoor is excellent for handling the heaviest windowpanes, fire doors and sheets of glass without compromising on precision and ease of use.

A slim body width and the rear-wheel drive make it very maneuverable inside buildings or on the factory floor. The puncture proof tires provide a secure grip on most surfaces.

↔ SIDE SHIFT
4 INCHES

↑ LIFTING HEIGHT
94 INCHES

i Our most powerful lift for indoor use

TECHNICAL SPECIFICATIONS

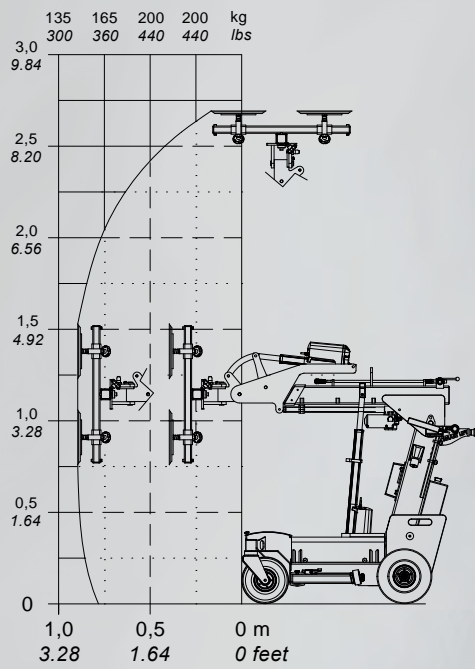
| | |
|-------------------------|----------------------|
| Lifting cap. arm in/out | 1,280/620 lbs. |
| Lifting height | 94 in. |
| Extension of arm | 20 in. |
| Tilt | 43° back / 105° fwd. |
| Side shift | 4 in. |
| Charging voltage | 230 V / 110 V |
| Charging time | Approx. 8 hrs. |
| Running time | Up to 10 hours |
| Rear wheel drive | 1000 W DC |
| Brake | Electro-magnetic |
| Suction pads | 4 x Ø8 in. |
| Width | 31 in. |
| Curb weight | 1,520 lbs. |

BUILD YOUR SMARTLIFT

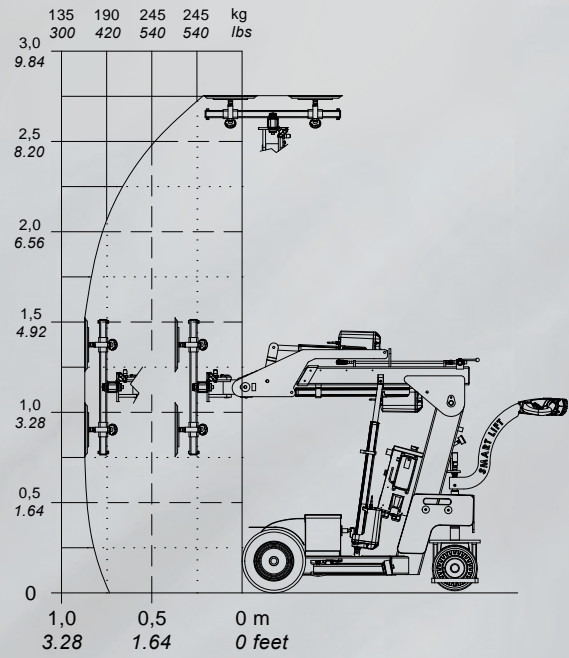
| | |
|---------------------------------|----|
| Foam-filled tyres | NA |
| Electric key switch | ■ |
| White, non-marking tyres | ■ |
| Special Color | ■ |
| Wireless remote | ■ |
| Manual extension of the arm | ■ |
| Electrical extension of the arm | ■ |
| Electrical rotating yoke | ■ |

■ Select the options you need

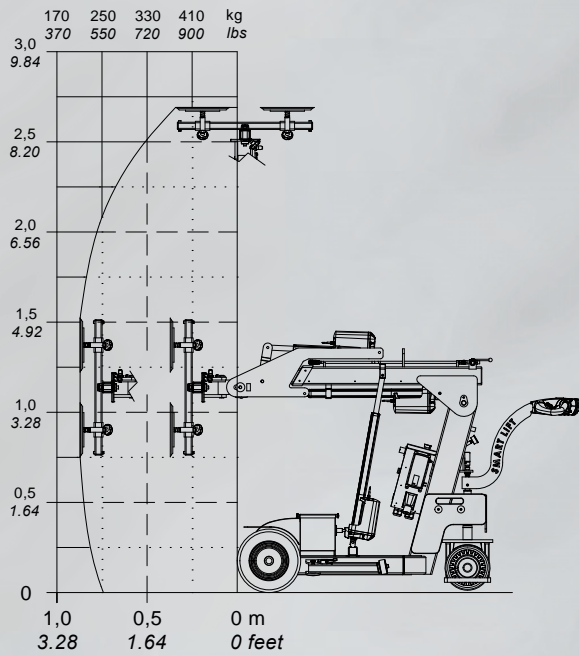
SL208 INDOOR



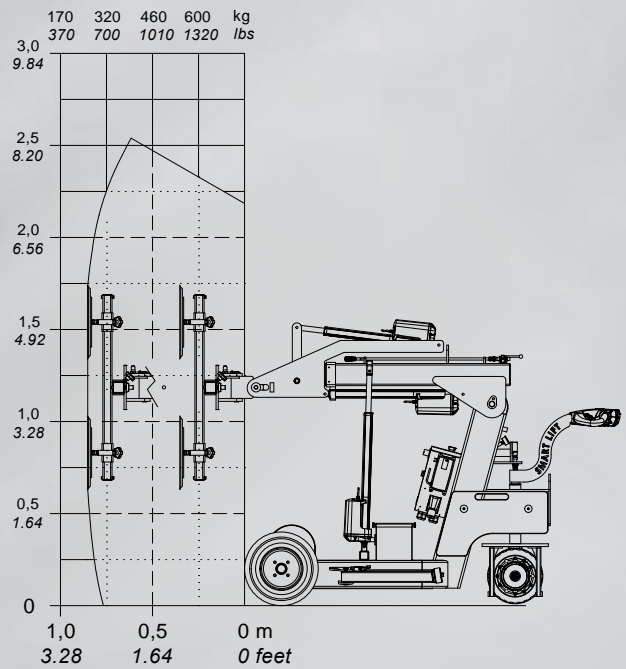
SL280 INDOOR



SL380 INDOOR



SL580 INDOOR





HIGHLIGHT

High Lifter option:
Choose extra manual extension of the arm for longer reach.



SL408 OUTDOOR SERIES

LIFTS UP TO 950 LBS.

The SL408 Outdoor series is ideal for construction sites where versatility is key. The combination of lifting power and a compact design makes this lift relevant for glazing outdoor and indoor. Even when carrying a maximum load of 950 lbs., the lift has more than enough power to get the job done.

The 408 series is fitted with wide twin tires to ensure that it does not get bogged down in off-road conditions. The lift is front-wheel driven and fitted with wide, puncture-proof tyres to ensure unique stability when driving with a full load. The lift is also available in a High Lifter version for additional reach.

Models: Outdoor / High Lifter/ High Lifter Electric / High Lifter Electric RT



EXTENSION OF ARM
UP TO 48 INCHES



LIFTING HEIGHT
UP TO 146 INCHES



Choose the High Lifter version for additional reach and lifting height

TECHNICAL SPECIFICATIONS

| Model | SL408 Outdoor | SL408 Outdoor HL / HLE | SL408 Outdoor HLE RT |
|-------------------------|--------------------|--|----------------------|
| Lifting cap. arm in/out | 950/440 lbs. | 950/220 lbs. | 950/220 lbs. |
| Lifting height | 122 in. | 144 in. | 146 in. |
| Extension of arm | 24 in. | 24 + 24 in. | 24 + 24 in. |
| Tilt | 56° back/113° fwd. | 45° back/90° fwd. (HL) 53° back/132° fwd. (HLE) | 35° back/106° fwd. |
| Side shift | 4 in. | 4 in. | 4 in. |
| Charging voltage | 230 V/110V | 230 V/110V | 230 V/110 V |
| Charging time | Appr. 8 hrs. | Appr. 8 hrs. | Approx. 8 hrs. |
| Running period | Up to 10 hrs. | Up to 10 hrs. | Up to 10 hrs. |
| Front-wheel drive | 1200 W AC | 1200 W AC | 1200 W AC |
| Suction pads | 4 x Ø12 in. | 4 x Ø12 in. | 4 x Ø12 in. |
| Width | 32 in. | 32 in. | 32 in. |
| Curb weight | 1,540 lbs. | HL 1,570 lbs. /HLE 1,600 lbs. | Up to 1,620 lbs. |

BUILD YOUR SMARTLIFT

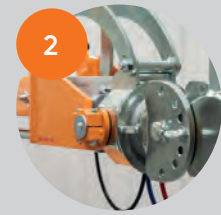
| | Standard |
|----------------------------------|----------|
| Foam-filled tyres | |
| Electric key switch | ■ |
| White, non-marking tires | ■ |
| Special Color | ■ |
| Wireless remote | ■ |
| Manual extension (HL) | ■ |
| Electrical extension (HLE) | ■ |
| Rotation yoke RT (HL RT/ HLE RT) | ■ |

■ Select the options you need



HIGHLIGHT

- 1. High Lifter option:**
Extra manual or electrical extension of the arm.
- 2. Electric rotating yoke:**
Stepless 3D movement of the arm and yoke.



SL608 OUTDOOR SERIES

LIFTS UP TO 1,320 LBS.

SL608 Outdoor series offers you more power and more options. Choose longer reach and a rotating yoke for more flexibility during installation. One man can easily handle the rotation of large glass sections and experience maximum flexibility during installation.

The 608 series is fitted with twin tires to ensure that it does not get bogged down in off-road conditions. It is front-wheel driven and fitted with wide, puncture-proof tyres to ensure unique stability driving in terrain. The lift is available in a High Lifter version for additional reach and can be fitted with an electric rotating yoke.

Models: High Lifter / High Lifter Electric / High Lifter Electric RT



EXTENSION OF ARM
UP TO 63 INCHES



LIFTING HEIGHT
UP TO 165 INCHES



Customize the lift to fit your exact needs by selecting from the options list below.

TECHNICAL SPECIFICATIONS

| Model | SL 608 Outdoor HL / HLE | SL 608 Outdoor HLE RT |
|-------------------------|--------------------------------|-----------------------|
| Lifting cap. arm in/out | 1,320/330 lbs | 1,320/220 lbs. |
| Lifting height | 161 in. | 165 in. |
| Extension of arm | 28 in. | 28 + 35 in. |
| Tilt | 43° back / 105° fwd. | 32° back / 83° fwd. |
| Side shift | 4 in. | 4 in. |
| Charging voltage | 230 V / 110V | 230 V / 110V |
| Charging time | Approx. 8 hrs. | Approx. 8 hrs. |
| Running period | Up to 8 hrs. | Up to 8 hrs. |
| Front-wheel drive | 1200 W AC | 1200 W AC |
| Suction pads | 4 x Ø16 in. | 4 x Ø16 in. |
| Width | 33 in. | 33 in. |
| Curb weight | HL 2,040 lbs. HLE 2,060 lbs | 2,120 lbs. |

BUILD YOUR SMARTLIFT

| | |
|--|----------|
| Foam-filled tyres | Standard |
| Electric key switch | ■ |
| White, non-marking tires | ■ |
| Special Color | ■ |
| Wireless remote | ■ |
| Manual extension (High Lifter - HL) | ■ |
| Electrical extension (High Lifter Elec. - HLE) | ■ |
| Rotating yoke RT (only HL and HLE) | ■ |

■ Select the options you need

WE INVEST IN STOCK, PARTS, AND SERVICE

New machines keep arriving at our stock and not only in the head office; we invest heavily in local depots around the US, being able to deliver machines when and where needed. Including our dealers, we now have 9 locations allowing us to act fast on a customer demo or a Smartlift purchase; we're never far away.

Spare parts are also stored locally in the US, making sure we can provide the service needed to eliminate downtime. With most parts in stock and usually shipped the same day as requested, and a fast response to service requests, you are secured as a Smartlift customer. With our own Smartlift US Service Manager you always enjoy a fast and professional service.

That's why our saying is "Smartlift - the safe choice"





HIGHLIGHT

1. Rotating yoke:
Stepless 3D movement of the yoke and load.

2. Information display:
Monitor battery status, vacuum pressure and load strain on the wireless remote control.



SL1008 OUTDOOR

LIFTS UP TO 2,200 LBS.

The SL1008 Outdoor is our most advanced lift. It combines maximum lifting power and reach. Large window sections are easily and precisely handled using the multifunctional, rotary yoke.

The wireless remote controls all functions and offers freedom of movement for the operator. A display gives the operator full overview of battery status, vacuum level and actual load strain. The lift has a proportional hydraulic system that enables the operator to control the arm extremely precise.

The SL1008 Outdoor is fitted with wide twin tyres to prevent the machine from getting bogged down. The lift is front-wheel driven and fitted with wide tyres to ensure unique stability when driving with a full load.

TECHNICAL SPECIFICATIONS

| | |
|-------------------------|---------------------|
| Lifting cap. arm in/out | 2,200 / 620 lbs. |
| Lifting height | 183 in. |
| Extension of arm | 33 + 33 in. |
| Tilt | 44° back / 80° fwd. |
| Side shift | 4 in. |
| Charging voltage | 230V / 110V |
| Charging time | Approx. 8 hrs. |
| Battery | 4 x 134 Ah AGM |
| Running period | Up to 10 hrs. |
| Front-wheel drive | 2500 W AC |
| Suction pads | Ø16 in. |
| Width | 40 in. |
| Curb weight | 3,260 lbs. |



EXTENSION OF ARM
66 INCHES



LIFTING HEIGHT
183 INCHES



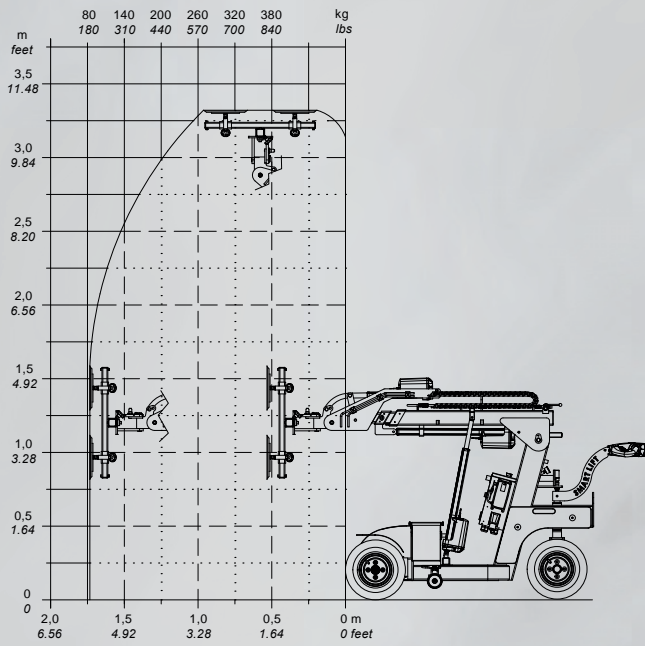
The SL1008 Outdoor is the HULK of the Smartlift range

BUILD YOUR SMARTLIFT

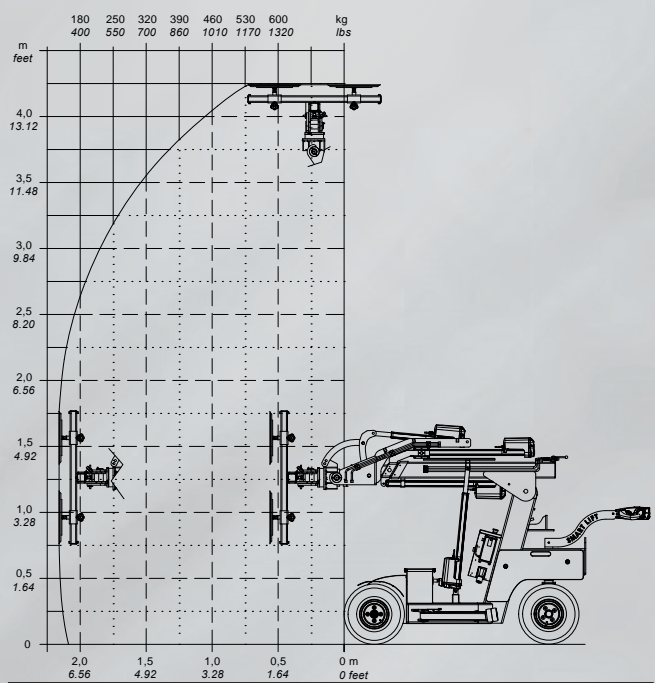
| | |
|----------------------------|----------|
| Foam-filled tyres | Standard |
| Electric key switch | ■ |
| Special Color | ■ |
| Wireless remote | Standard |
| Hydraulic extension of arm | Standard |
| Hydraulic rotating yoke | Standard |

■ Select the options you need

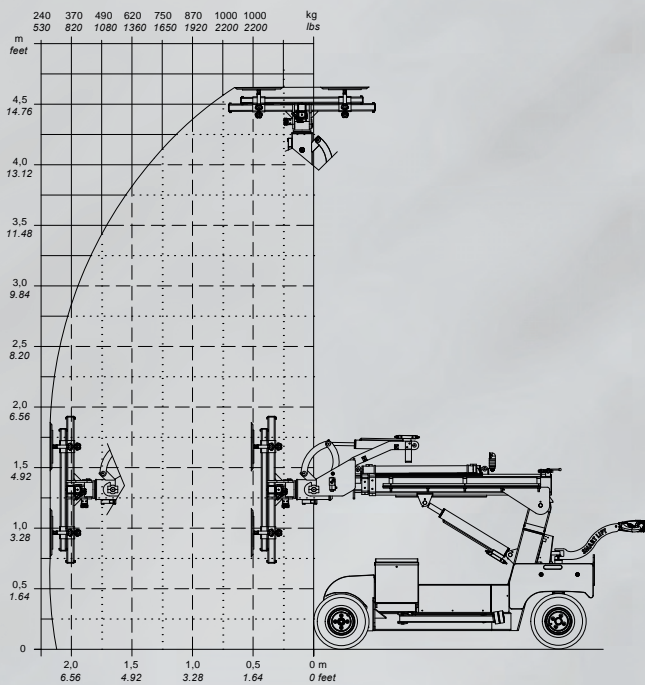
SL408 OUTDOOR (HIGH LIFTER)



SL608 OUTDOOR (HIGH LIFTER ELECTRIC RT)



SL1008 OUTDOOR



OPTIONS

■ Select the options you need

Build your Smartlift from the factory

| | SL208 Indoor | SL280 Indoor | SL380 Indoor | SL580 Indoor | SL408 Outdoor series | SL608 Outdoor series | SL1008 Outdoor |
|---------------------------------|--------------|--------------|--------------|--------------|----------------------|----------------------|----------------|
| Foam-filled tyres | NA | NA | NA | NA | Standard | Standard | Standard |
| Electric key switch | ■ | ■ | ■ | ■ | ■ | ■ | ■ |
| White, non-marking tires | ■ | ■ | ■ | ■ | ■ | ■ | NA |
| Special Color | ■ | ■ | ■ | ■ | ■ | ■ | ■ |
| Wireless remote | ■ | ■ | ■ | ■ | ■ | ■ | Standard |
| Manual extension of the arm | NA | NA | ■ | ■ | ■ | ■ | NA |
| Electrical extension of the arm | NA | NA | NA | ■ | ■ | ■ | Hydraulic |
| Electrical rotating yoke | NA | NA | NA | ■ | ■ | ■ | Hydraulic |

SELECTED ACCESSORIES

There is a wide range of accessories available for your Smartlift. For more information, call your local dealer or go to our website.



Transport ramp

Aluminium ramps in various sizes for use indoors or outdoors.



Flexolink

Flexible connectors for curved glass. For suction pad up to 12 in. - up to 12° curve.



Protection cover

Prolong the lifetime of the suction pads.



Suction pad bracket flex

Adjustable bracket with 8 in. adjustment for suction pads.



Lifting hooks

Strong lifting hook with a max. load capacity of up to 880, 1320 or 1,760 lbs.



Double suction pad bracket flex

Adjustable double bracket, for oval suction pad. 8 in. adjustment. For curved panes of glass.



SPK suction pads

Suitable for Paroc-and port elements with a rough surface. Replaceable rubber.



Extender type

Suction pad extender. Suitable to attach loads with various levels.



Pallet fork

Various types for every Smartlift model. Max. load capacity of up to 660, 1,100 or 1,540 lbs.



Cordless remote control - pocket

Available for selected Smartlift models. Replaces the cable remote control.

SPECIAL EQUIPMENT



SL400 SKY LIFTER RT

LIFTS UP TO 880 LBS.

The SL400 Sky Lifter RT is a light and flexible electric manipulator which can be mounted on any telescopic loader, crane etc.

The Sky Lifter can rotate 350 degrees without stop using the attached turning head. The rotation is a great advantage during the window installation, because it gives great flexibility.

SL400 RT is ideal for difficult installations under overhangs or oblique angles. The Sky Lifter is radio-controlled without any limitation of working height.

TECHNICAL SPECIFICATIONS

| | |
|-------------------------|-----------------------|
| Lifting cap. arm in/out | 880 lbs. |
| Lifting height | - (depends on parent) |
| Extension of arm | 15 in. |
| Tilt | - (depends on parent) |
| Side shift | 8 + 12 in. |
| Charging voltage | 230 V / 110V |
| Integrated charger | No |
| Charging time | Approx. 4 hrs. |
| Battery | 24V, 20Ah |
| Running period | Up to 8 hrs. |
| Suction pads | 4 x Ø12 in. |
| Curb weight | 795 lbs. |



Can be fitted on a telescopic loader for maximum reach



ST1300 TROLLEY

A rugged and self-propelled transport trolley for plasterboards and other building materials. The Smart Trolley has an electric lifter which extends up to 35 in. above ground level. Can be used as a working bench at the construction site.

- Self-propelled forward/reverse
- For indoor and outdoor use
- Quality bearings
- Independent wheels
- Poly-filled tires
- Indicator for low voltage
- IP65 classified dust and moisture proof

TECHNICAL SPECIFICATIONS

| | |
|------------------------|---|
| SWL / rated load | 2,866 lbs. |
| Floor dimensions | 74 x 28 in. / 106 x 28 in. |
| Floor height | 23 - 35 in. |
| Total length | 112 in. |
| Total length (shipped) | 83 in. |
| Wheel base | 57 in. |
| Extension - handlebar | 9 in. |
| Ground clearance | 5 in. |
| Raise / lower floor | 10 sec. / 8 sec. |
| Driving speeds | Floor raised = 0.6mph. Floor lowered = 3.1 mph. |
| Battery | 2 x 12V 95Ah AGM |
| Operation time | Approx. 8 hrs. |
| Turning radius | 10 ft. 2 in. |
| Charger with indicator | Integrated 110V / 230V |
| Curb weight | 1,000 lbs. |



LIFTING CAPACITY
2,866 LBS.



LIFTING HEIGHT
35 INCHES

”

With a Smartlift, the ergonomics are fantastic. I work every day between 6 am and 7 pm, and even after a long working day I don't feel any pain in my body, because the Smartlift handles all the heavy lifts during the window installation.

– Martin Vestergaard, carpenter.



The carpentry firm DN Tømmer A/S uses two SL208 Indoor Smartlifts for window installation on the ambitious urban development project Frederiksbro Stage 2. This is a completely new district in the city Hillerød with 1,300 homes, and is one of the biggest housing projects in Denmark.



CONTACT US

8927 & 8929 J Street
Omaha, NE 68127

Phone: 402-215-8080

E-mail: smartliftus@smartlift.com

Website: smartlift.com/us