

**Universal**<sup>®</sup>

# STEAM BOILER

TYPE: SB



**Universal**<sup>®</sup>

İkitelli Organiza Sanayi Bölgesi Metal - İş Sanayi Sitesi  
8. Ada No: 36 Başakşehir / İSTANBUL  
Tel: 0212 549 70 70 • Fax: 0212 671 40 06  
E-mail: info@universalkazan.com  
[www.universalkazan.com](http://www.universalkazan.com)



# Oil and Natural Gas Gas fired scotch Type



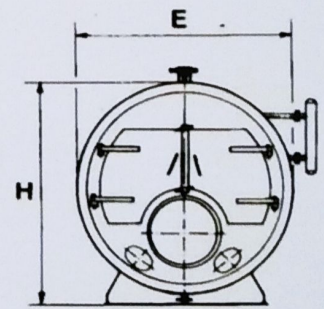
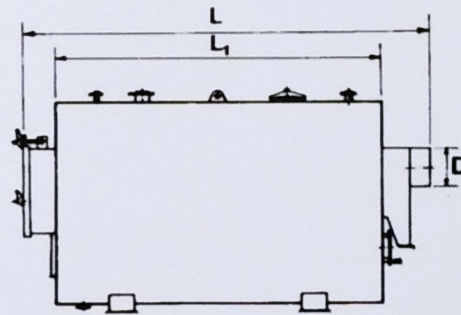
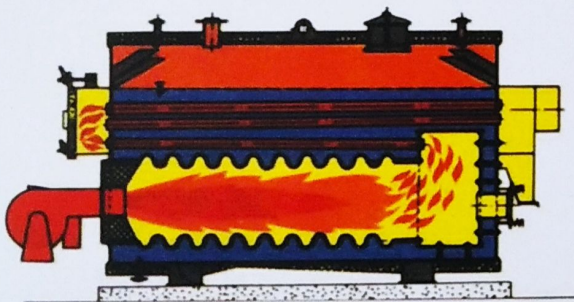
## OIL AND NATURAL GAS FIRED SCOTCH TYPE 3 PASS, FIRE SMOKE TUBE STEAM BOILER. TYPE:SB

**DESIGN:** High pressure, 3 Pass, fire-smoke tube Scotch type steam boilers are manufactured according to Lloyd rules, TRD, DIN and EN norms(TSE, TRD, DIN, EN, GOST and ASME norms)

**MATERIALS:** Cylinder shell, flue plates and combustion chamber are manufactured from HI-HI(boiler sheet)(boiler steel plate). Smoke tubes are seamless boiler tubes (according to DIN 17155).

**HIGH EFFICIENCY:** Flue gases, formed as a result of good combustion, pass through convection surfaces and leave the boiler without causing low temperature corrosion. Maximum heat transfer and high efficiency (88-90%) is obtained.

- Responds sudden demands of great (huge) amount of steam
- Has a large evaporation surface and large steam storage volume
- Has a large and corrugated combustion chamber
- Hydrolic test applied at 1,5 times higher than the operating pressure
- The combustion chamber is easily reachable from the explosion gate, the smoke tubes are easily reachable from the front door and the water-side is easily reachable from the manhole and the handholes



### TYPE: SB- Capacity and Main Dimension

TYPE	SB 5	SB 10	SB 15	SB 20	SB 25	SB 30	SB 35	SB 40	SB 50	SB 60	SB 70	SB 80	SB 90	SB 100	SB 125	SB 150	SB 200	SB 250	SB 300	SB 350	SB 400	
Steam capacity	kg/h	150	300	500	750	900	1100	1350	1550	1900	2400	2800	3200	3800	4200	5200	6250	8350	10500	12500	14600	16700
Length	mm	1950	2100	2330	2490	2625	2745	2860	3010	3200	3375	3530	3680	3820	4150	4525	4820	5340	5800	6315	6700	7055
Width	mm	1350	1690	1820	1850	1900	2000	2000	2000	2250	2350	2410	2500	2550	2650	2650	2830	3000	3200	3350	3500	3550
Height	mm	1500	1840	1970	2000	2050	2150	2150	2150	2400	2500	2560	2750	2800	2900	2900	3080	3250	3450	3600	3750	3800
Steam volume	m <sup>3</sup>	0,21	0,44	0,65	0,71	0,92	1,17	1,23	1,32	1,55	1,70	1,83	1,97	2,09	2,36	2,99	4,25	4,97	5,69	7,16	7,85	8,39
Water volume	lt	430	1030	1360	1420	1520	1550	1580	1650	2755	3850	4450	5070	5740	5900	6180	7495	9390	11570	13740	16865	18600
Stack Diameter	mm	200	250	300	300	350	350	350	400	450	500	550	600	600	600	650	700	700	800	1000	1000	1000
Flue Gas Pressure Drop	mm SS	15	15	30	30	30	30	30	30	30	30	40	50	50	60	70	70	80	90	100	100	100
Approximate weight	6 barg kg/h	1100	1750	2250	2600	2900	3300	3700	4000	5000	5450	6100	7100	7800	9400	10700	13200	16700	20900	23500	27250	31000
	10 barg kg/h	1300	2000	2450	2900	3200	3900	4300	4600	5800	6100	6900	7950	8650	11100	11850	14700	18750	23900	27900	31000	34700

\* Capacities refer to the operating pressure of 6 barg and the feed water temperature of 70°C  
\* Dimensions may be changed without notice