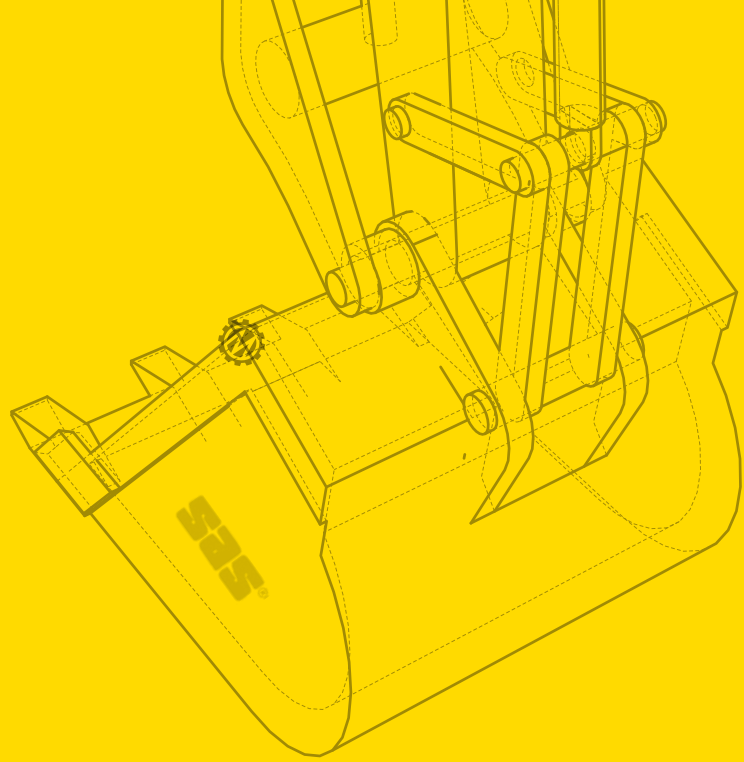


**WE'RE A PART
OF YOUR
STRENGTH!**

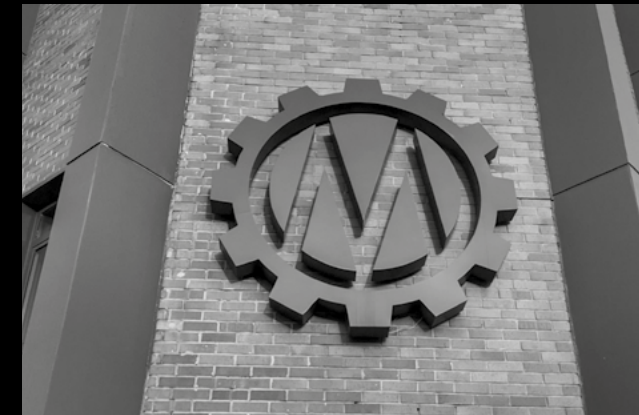


Mak-is®





REDEFINING THE
LIMITS OF POWER!





*Mak-iş
Dökümcüler OSB Tesisleri*



*Mak-iş
Anadolu OSB Tesisleri*



01

**The
Superheroes of
Manufacturing!**



Passion, Dedication and Expertise

Since its establishment in the early 1980s at in central Ankara, MAK-iŞ began as a spare parts trader. With its move to the Ostim Organized Industrial Zone, the company expanded its scope to include technical services and spare parts production.

Today, MAK-iŞ operates across three organized industrial zones in Ankara, offering industrial solutions on over 15,000 m² of space continuously advancing its growth by updating its expertise, courage, and technology.



02

Superb quality
in extreme
conditions



Mak-ış
www.mak-is.com

All Your Repair-Parts Needs, All In One Place

MAK-İŞ provides a wide range of solutions, from periodic maintenance materials to advanced technology spare parts, as well as wear components and accessories for dozers, excavators, graders, and wheel loaders. With an extensive stock for leading brands like Caterpillar, Komatsu, Hitachi, Volvo, and Hidromek, MAK-İŞ offers smart solutions for all your spare part needs.

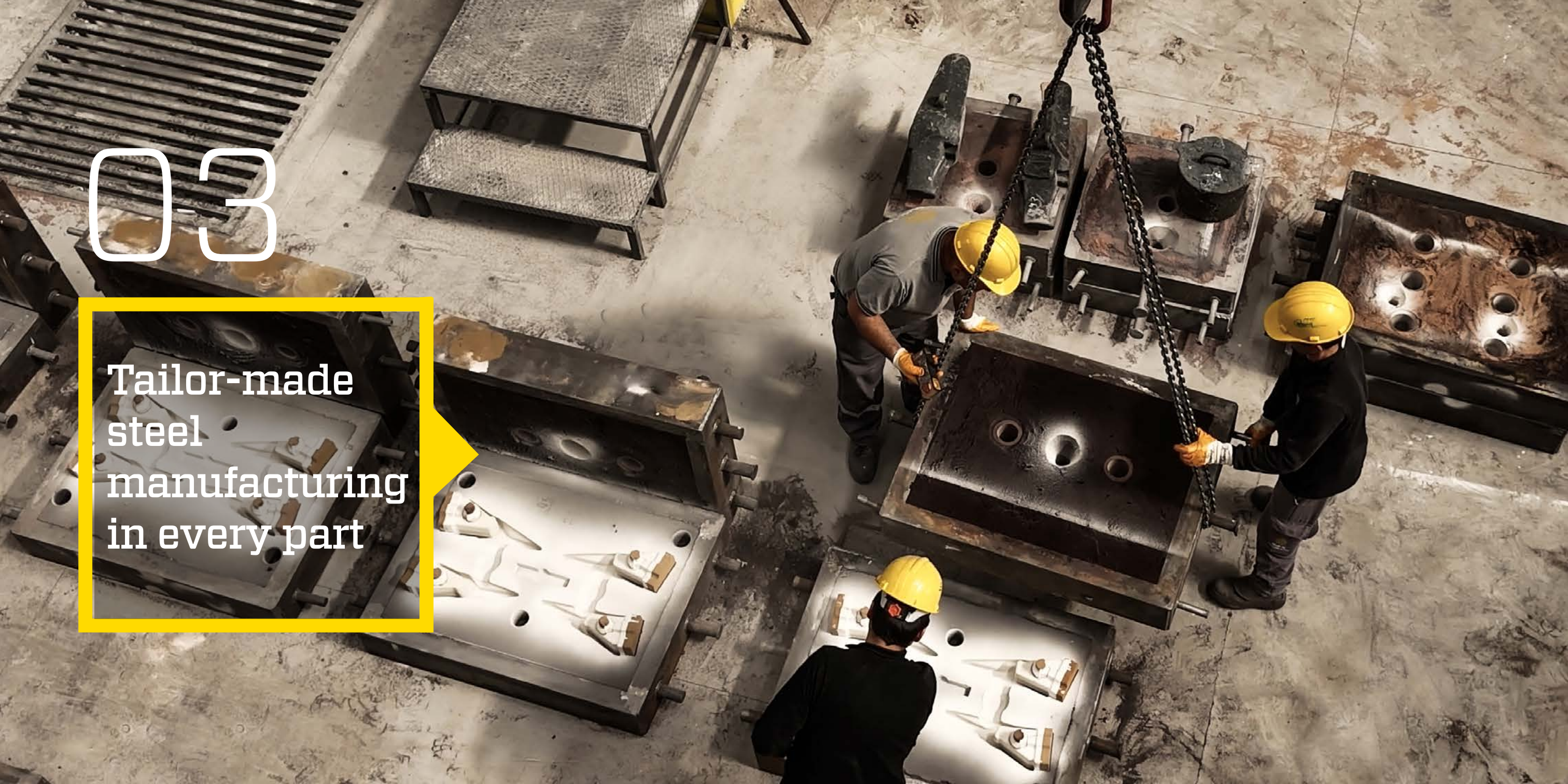
Our product range includes:

- Engine Parts
- Fuel Pumps and Injectors
- Hydraulic Pumps and Internal Parts
- Transmission and Gear Sets
- Electronic Components
- Sealing Systems
- Maintenance Parts
- Accessories



03

Tailor-made
steel
manufacturing
in every part





Tailor-Made Casting Solutions

MAK-İŞ manufactures iron and steel-based wear parts for construction and mining machinery using cutting-edge production technologies at its own facilities.

With a strong production infrastructure and facilities in the Ankara Anadolu Organized Industrial Zone and the Foundry Organized Industrial Zone, it sets itself apart in the industry

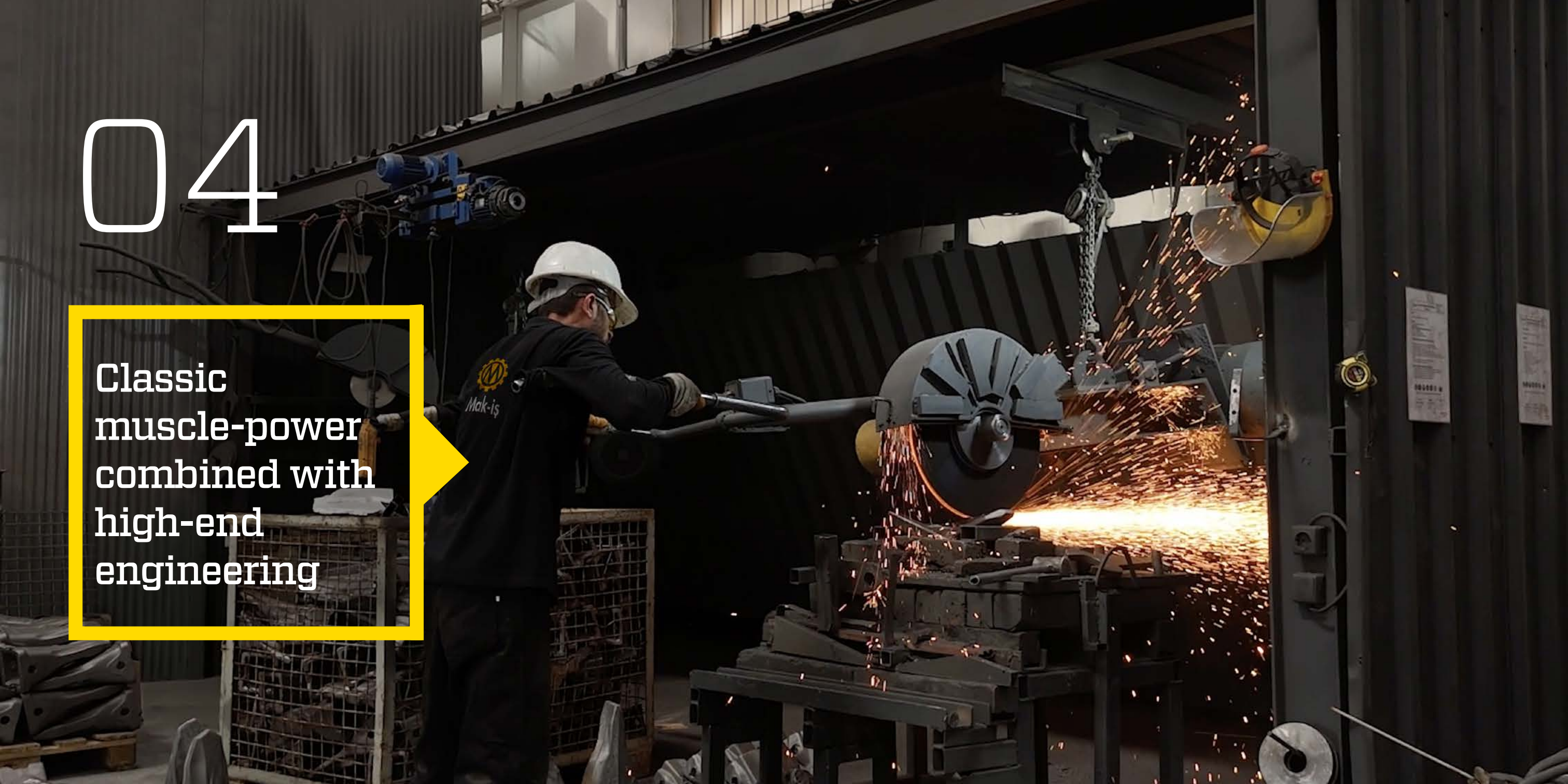
Our product range:

- Buckets and Attachments
- Bucket Wear Parts
- Teeth and Adapters
- Dozer Cutting Edges
- One-piece Rippers
- Grader Cutting Edges
- Excavator Attachments
- Locking Pin



04

Classic
muscle-power
combined with
high-end
engineering





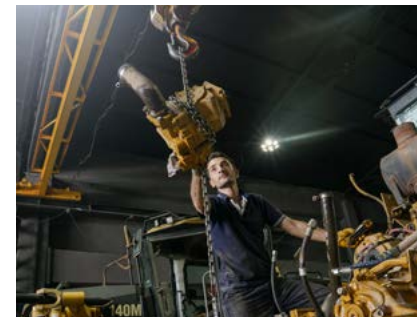
Advanced Technology, Unmatched Service

- Powering Our Technical Expertise.

Mak-İş has been addressing the increasing needs of the industry since 2016, blending knowledge, technology, and expertise in its technical service operations. Equipped with the latest electronic and mechanical maintenance tools, it delivers top-tier maintenance and repair services.

Our revision services for construction and mining equipment include:

- Engine Overhauls
- Transmission and Differential Rebuilds
- Hydraulic Pump Rebuilds
- Tower Transmission & Hydromotor Overhauls
- Grader Tandem and Circle Rebuild Services
- Undercarriage Rebuilds
- Bucket Rebuilds
- Periodic Maintenance Services
- Independent Inspection Services







www.mak-is.com

Dökümhane: Dökümcüler İhtisas OSB No: 1, Sincan

Isıl İşlem ve Kaynaklı İmalat: Anadolu OSB 30 Ağustos Cd. No: 10, Sincan

Perakende Satış: İvedik OSB 1416 Cd. No4 Ostim | **Teknik Servis:** 2284 Sokak No 27-29 Ostim

T: 0312 395 6525 | info@mak-is.com