

PANOVA

WINDOW & DOOR SYSTEMS

TECHNICAL CATALOG



nova
70

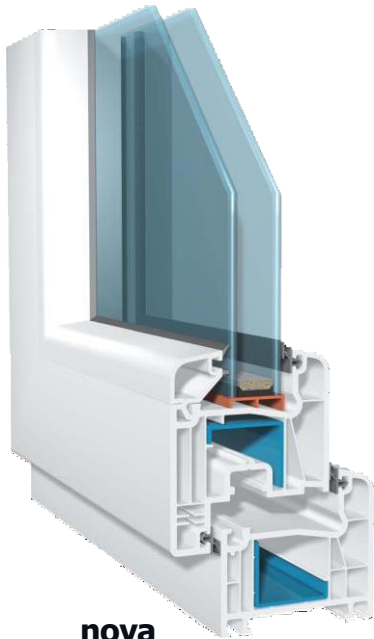
nova
76 3 seals

nova
80

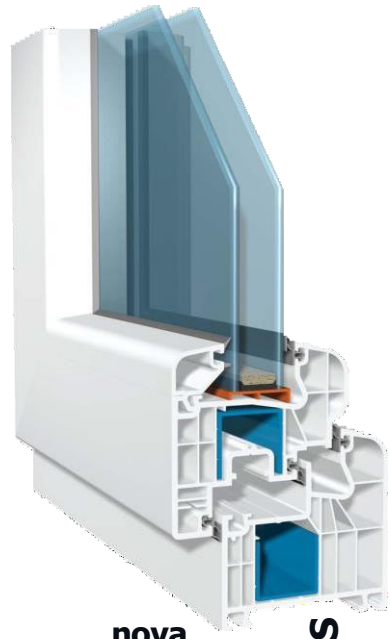
nova
85 slide

PANOVA

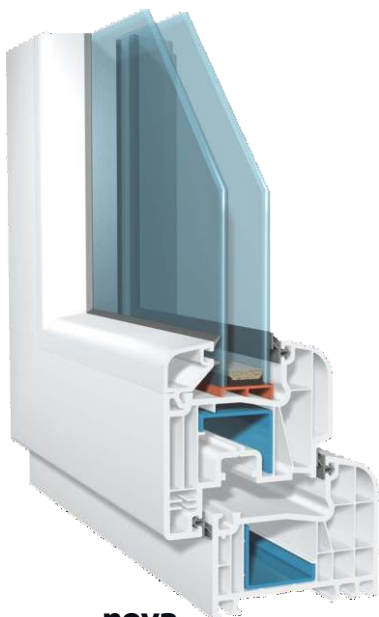
WINDOW & DOOR SYSTEMS



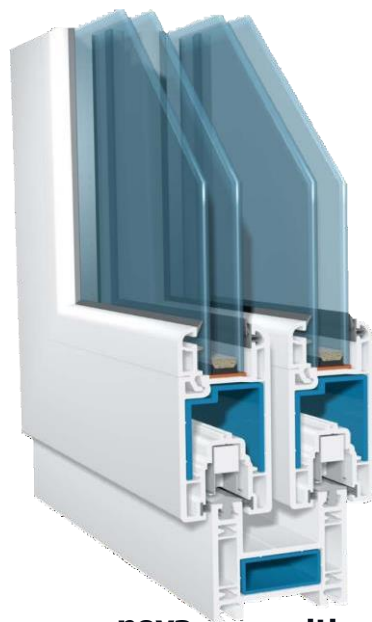
nova
70



nova
76
3 SEALS



nova
80



nova
85
SLIDE





NOVA 70 SERIES

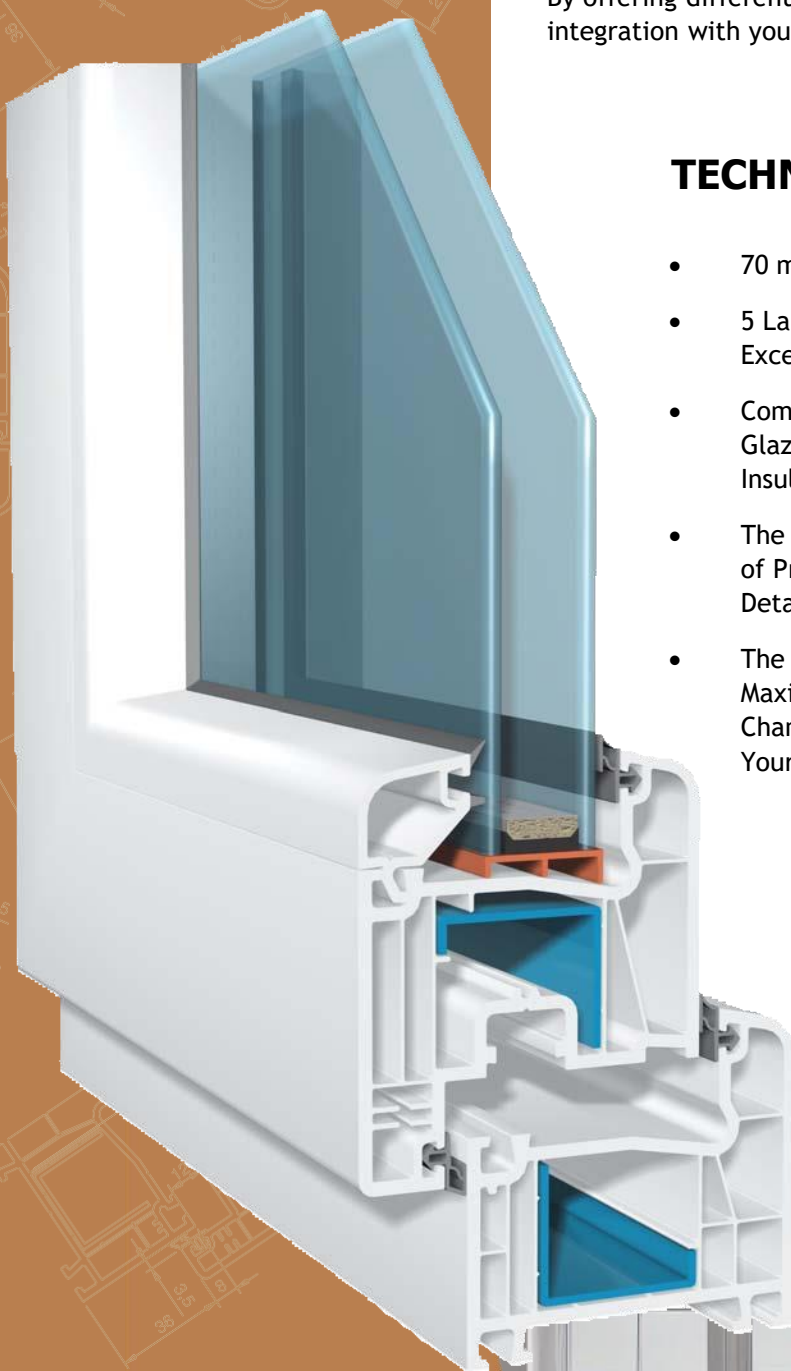
The window of quality, comfort and aesthetics.

It highlights your aesthetic design with light gray seals on white profiles and black seals on colored profiles.

By offering different profile colors, we ensure seamless integration with your architectural designs.

TECHNICAL SPECIFICATIONS

- 70 mm Profile Width.
- 5 Large Chambers and 2 Seals Provide Excellent Sound and Water Insulation
- Compatibility with Single, Double, and Triple Glazing Enhances Superior Thermal Insulation.
- The PANOVA NOVA 70 System Offers a Variety of Products to Adapt Statistically to Every Detail.
- The PANOVA NOVA 70 System Provides Maximum Acoustic Insulation with Its Multi-Chamber Profile Design, Offering Comfort to Your Life.



nova
70



NOVA 76 SERIES

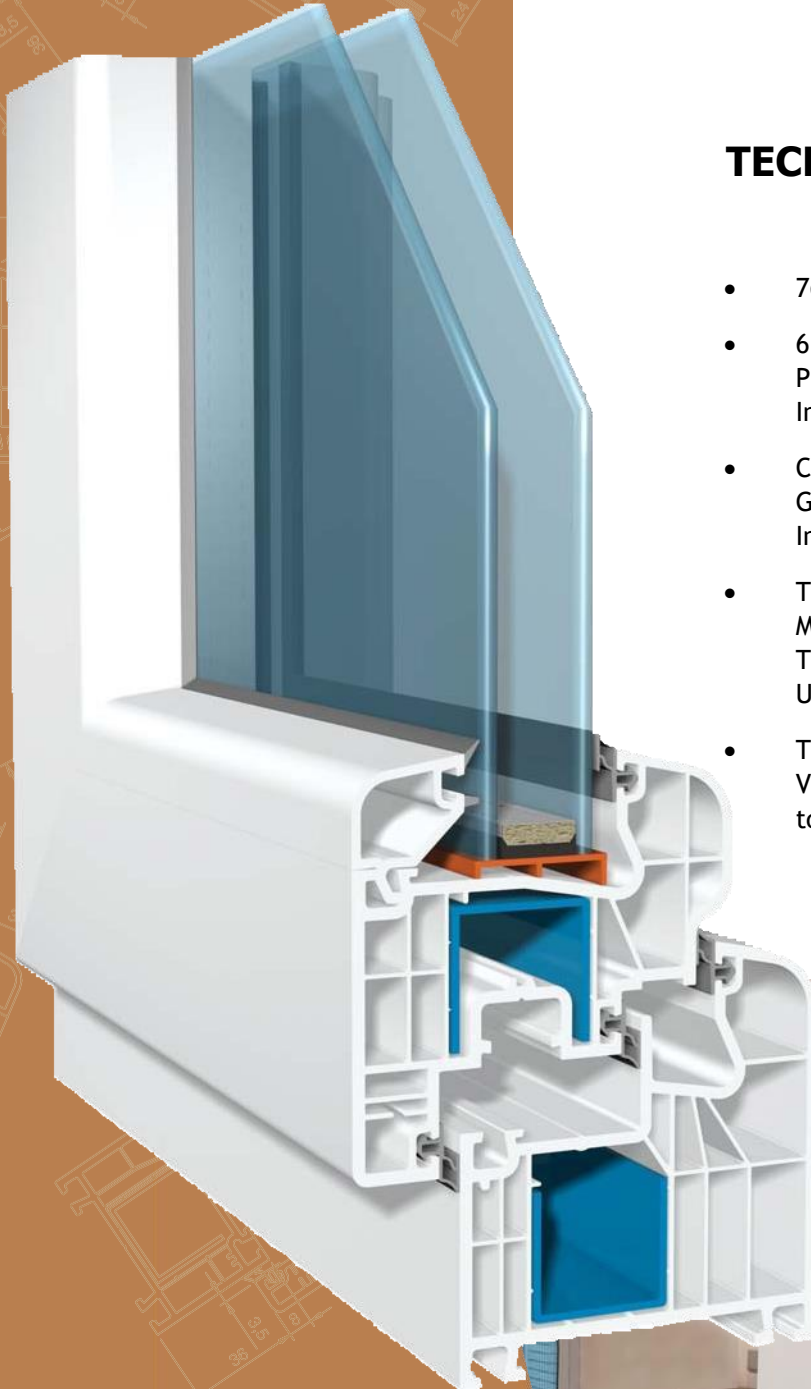
The window of quality, comfort and aesthetics.

It highlights your aesthetic design with light gray seals on white profiles and black seals on colored profiles.

By offering different profile colors, we ensure perfect integration with your architectural designs.

TECHNICAL SPECIFICATIONS

- 76 mm Profile Width.
- 6 Large Chambers and a 3-Seals System Provide Excellent Sound and Water Insulation.
- Compatible with Single, Double, and Triple Glazing to Enhance Superior Thermal Insulation.
- The PANOVA NOVA 76 System Offers Maximum Insulation Benefits with Its Unique Third Seals, in Addition to Standard Seals Used in Frame and Sash Profiles.
- The PANOVA NOVA 76 System Offers a Variety of Products that Statistically Adapt to Every Detail.



nova

76

3 SEALS



NOVA 80 SERIES

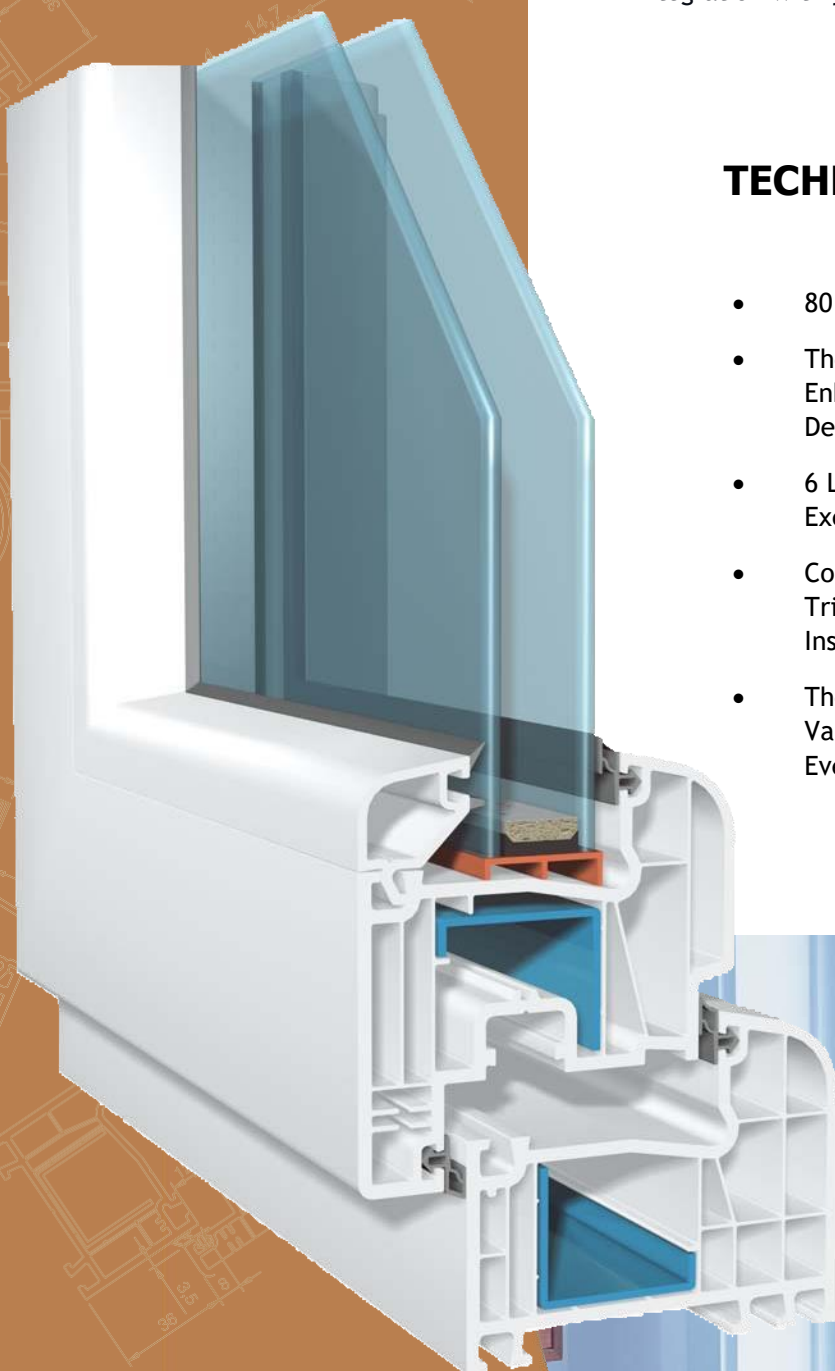
The window of quality, comfort and aesthetics.

It highlights your aesthetic design with light gray seals on white profiles and black seals on colored profiles.

By offering different profile colors, we ensure seamless integration with your architectural designs.

TECHNICAL SPECIFICATIONS

- 80 mm Profile Width.
- The PANOVA NOVA 80 Profile System Enhances Insulation with Its Large Surface Depth.
- 6 Large Chambers and 2 Seals Provide Excellent Sound and Water Insulation.
- Compatibility with Single, Double, and Triple Glazing Enhances Superior Thermal Insulation.
- The PANOVA NOVA 80 System Offers a Variety of Products to Adapt Statistically to Every Detail.



nova
80



NOVA 85 SERIES

Sliding system applications provide large and spacious spaces.

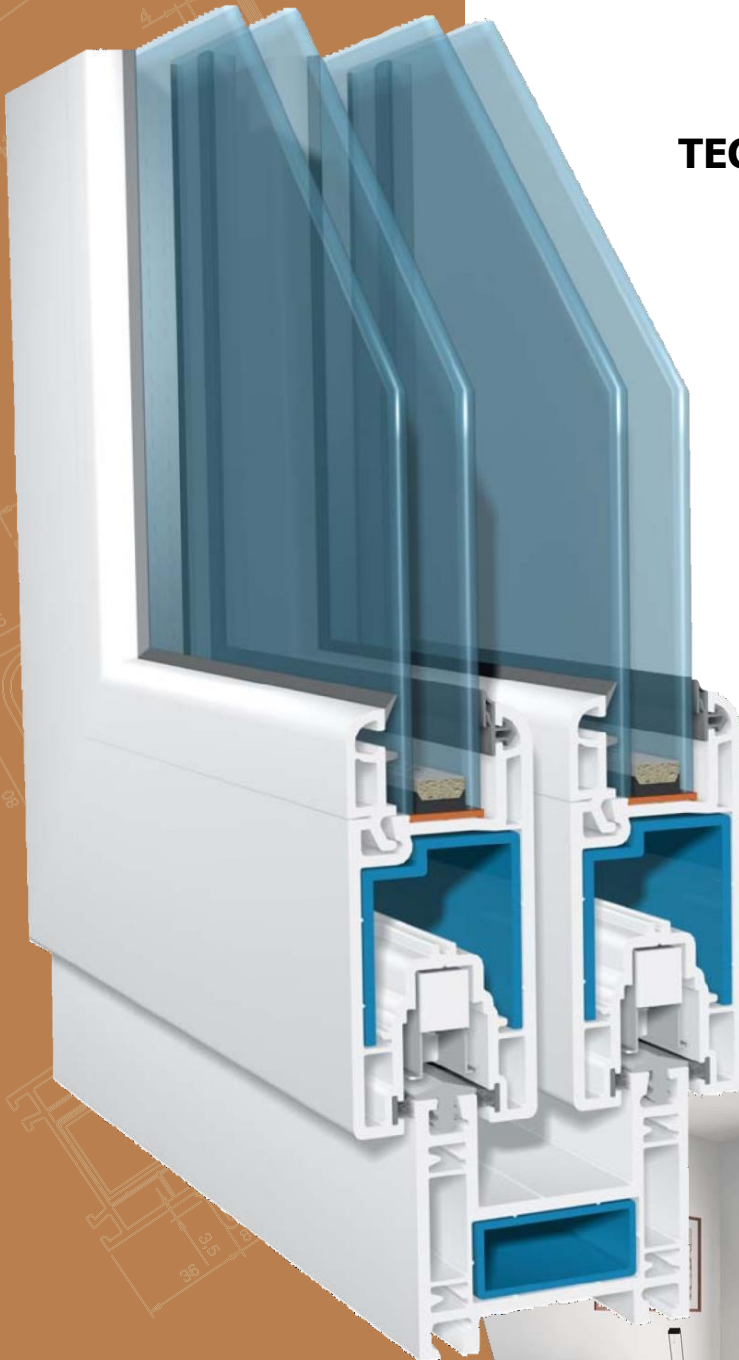
Sliding system of quality, comfort and aesthetics.

It highlights your aesthetic design with light gray seals on white profiles and black seals on colored profiles.

By offering different profile colors, we ensure perfect harmony with your architectural designs.

TECHNICAL SPECIFICATIONS

- 85 mm Sliding Frame Width.
- Compatible with Single, Double, and Triple Glazing to Enhance Superior Thermal Insulation.
- Horizontally Moving Sashes Increase Space Efficiency in Your Rooms.
- The Double Rail System Allows Sashes to Move in Both Directions.
- The PANOVA NOVA 85 Sliding System Is Preferred for Wide Openings Due to Its Superior Insulation Performance.



nova

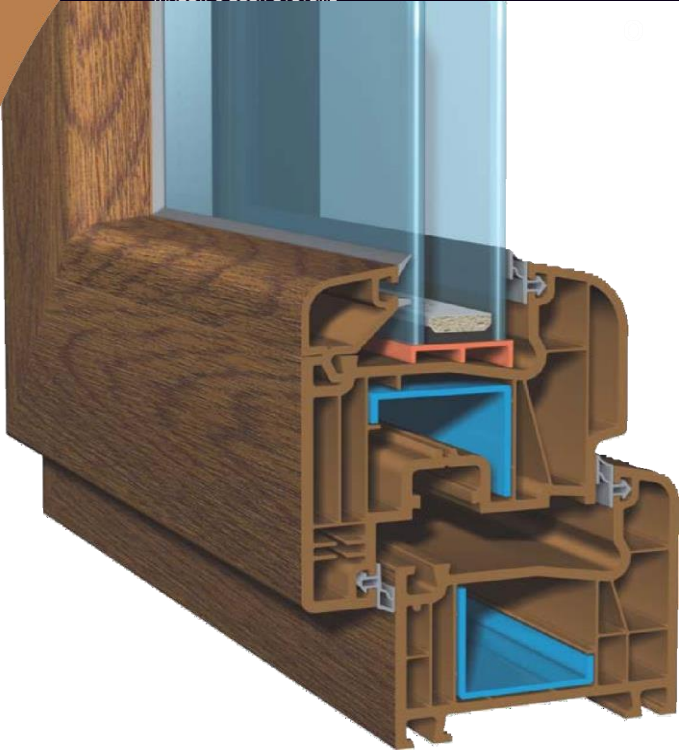
85
SLIDE







Rely on it.



Golden Oak

Hazel

Anthracite Grey

Antique Oak

Cream

Silver

Mink

Ash Black



Types of Expansion





PANOVA

WINDOW & DOOR SYSTEMS

PANOVA

WINDOW & DOOR SYSTEMS



www.panova.com.tr

OSB 4. Cd. 3.Sk. No: 6 Merkez/ Afyonkarahisar
Tel: 0 272 221 18 87 Faks : 0 272 221 13 92

Info@panova.com.tr

Export@panova.com.tr

www.panova.com.tr