



ÖZYAPI

CLEANROOM
SYSTEMS

Center: Aydıntepe Mah. 100. Yıl Cad. Vural Sk. No: 9/1 Tuzla - İSTANBUL
Factory: Taşköprü Merkez Mh. Çağdaş Sk. No: 4/A Çiftlikköy - YALOVA

Tel & Faks : 0 (216) 493 65 69

info@cleanroomozyapi.com www.cleanroomozyapi.com

ÖZYAPI IS 15 YEARS OLD !

ÖZYAPI CLEANROOM SYSTEMS & ÖZ MODÜLER CLEANROOM SYSTEMS, WITH 15 YEARS OF EXPERIENCE AND KNOWLEDGE, IT HAS ALWAYS PROVIDED CUSTOMER-ORIENTED SOLUTIONS IN ARCHITECTURAL PROJECTS, ENGINEERING AND PRODUCTION MANUFACTURING IN CLEANROOM SYSTEMS.

WHILE BEING A PIONEERING COMPANY THAT AIMS TO MINIMIZE IMPORTS AND ADOPTS THE PRINCIPLE OF BEING A LOCOMOTIVE IN THIS WAY; THE GOAL HAS ALWAYS BEEN CUSTOMER SATISFACTION.

ÖZYAPI CLEANROOM SYSTEMS, MEDICINE INDUSTRY, HEALTH SECTOR (HOSPITAL, LAB) CHEMICAL INDUSTRY, AUTOMOTIVE, DEFENSE INDUSTRY, COSMETIC SECTOR PROVIDES SERVICE BY PRODUCING MODULAR PERMANENT SOLUTIONS TO THE MATERIAL NEEDS USED IN CLEANROOM SYSTEMS IN MANY AREAS.

 SANDOZ SANDOZ SİTEK HAMMADDE TUZLA	 SANDOZ SANDOZ GEBZE 1	 SANDOZ SANDOZ GEBZE 2	 bilim İLAÇ BİLİM İLAÇ KASIMPAŞA	 bilim İLAÇ BİLİM İLAÇ GEBZE	 bilim İLAÇ BİLİM İLAÇ ÇERKEZKÖY
 Kopaş KOPAS KOZMATİK A.Ş.	 DEVA DEVA İLAÇ ÇERKEZKÖY	 DEVA DEVA İLAÇ KARTEPE	 Mustafa Nevzat MUSTAFA NEVZAT İLAÇ ŞEKERPINAR	 Mustafa Nevzat MUSTAFA NEVZAT İLAÇ YENİBOSNA	 NOVARTIS NOVARTIS İLAÇ KURTKÖY
 Biofarma BIOFARMA İLAÇ SULTANBEYLİ	 Santa Farma İlaç Sanayi A.Ş. SANTA FARMA İLAÇ	 İLKO İLAÇ SANAYİ VE TİCARET A.Ş. İLKO İLAÇ	 Eczacıbaşı monrol ECZACIBAŞI MONROL NÜKLEER ÜRÜN A.Ş.	 GEBZE TUBİTAK YERLEŞKESİ	 Dünyagöz DÜNYA GÖZ HASTANELERİ
 ATABAY PRİMİYER İLAÇ SANAYİ VE TİCARET A.Ş. ATABAY KİMYA DİLOVASI	 ATABAY PRİMİYER İLAÇ SANAYİ VE TİCARET A.Ş. ATABAY KİMYA ACIBADEM	 BERKO İLAÇ BERKO İLAÇ KİMYA SULTANBEYLİ	 GILDA İLAÇ KİMYA SANAYİ VE TİCARET A.Ş. GILDA İLAÇ KOZMATİK TUZLA	 AVIS İlaç Sanayi ve Tic. A.Ş. AVIS İLAÇ 1 TUZLA	 AVIS İlaç Sanayi ve Tic. A.Ş. AVIS İLAÇ 2 TUZLA
 MYFARMA MY FARMA İLAÇ TUZLA	 DOKUZ EYLÜL ÜNİVERSİTESİ İZMİR	 DELPHI DELPHİ OTOMOTİV İZMİR	 ALKALOID SKOPJE ALKALOİDLER İLAÇ BOLVADİN	 Dia Pro TİBBİ Ürünler Sanayi ve Ticaret A.Ş. DIAPRO TIBBİ URUNLER	 TURGUT TURGUT İLAÇ

PROJE FLOW CHART

- 1- CREATING A PROJECT CONCEPT**
AS A BEGINNER CONCEPT, THE EXAMPLE OF AVAILABLE AREAS ARE THE PHASE OF VISUAL PREPARATION AND PRESENTATION.
- 2- DESIGN AND 3D VISUALIZATION**
IT IS THE STAGE OF PREPARING 3D VISUAL, PLAN LAYOUT, SECTION DRAWING, DETAIL DRAWING AND 360° PRESENTATION BY DESIGNING APPROPRIATE TO THE AREA.
- 3- CUSTOMER CONFIRMATION AND ORDERING**
SUBMITTING THE PREPARED PROJECT TO THE CUSTOMER'S APPROVAL AND MAKING THE ORDER STAGE AFTER RECEIVING APPROVAL.
- 4- PRODUCTION PHASE**
USING ADVANCED PRODUCTION EQUIPMENT COMBINED WITH OUR HIGHLY TALENT AND EXPERIENCED WORKFORCE, WE ENSURE THE CONTINUOUS HIGH QUALITY MANUFACTURING OF THE SOLUTION WE CHOOSE.
- 5- SHIPMENT PHASE**
FAST AND SAFE TRANSFER IS PROVIDED BY PREPARING A DELIVERY PLAN TO MEET YOUR PROJECT NEEDS.
- 6- PRODUCT INSTALLATION PHASE**
OUR SIMPLE AND MODULAR SOLUTIONS PROVIDE INTEGRATION FOR FASTER AND EFFICIENT INSTALLATION.
- 7- PRODUCT USAGE PHASE**
WHEN THE PROJECT IS COMPLETE, SUPPORT WILL BE PROVIDED WITH RELATED DOCUMENTS ON THE PROJECT TRANSFER, INCLUDING DATA SUPPORTING YOUR OPERATION AND MAINTENANCE MANUALS TO ENSURE YOU MAKING THE BEST OF CLEAN ROOM SOLUTIONS.
- 8- DELIVERY PHASE OF THE FIELD**
OUR SERVICE CONTINUES AFTER THE PROJECT IS COMPLETED. BY PROVIDING SERVICE IN OUR WARRANTY PROCESS, YOU CAN ENSURE THAT YOU CHOOSE THE HIGHEST LEVEL CLEAN ROOM SOLUTION THAT IS LONG AND DURABLE.

HPL PANEL SYSTEMS - SHEET METAL PANEL SYSTEMS - STAINLESS PANEL SYSTEMS

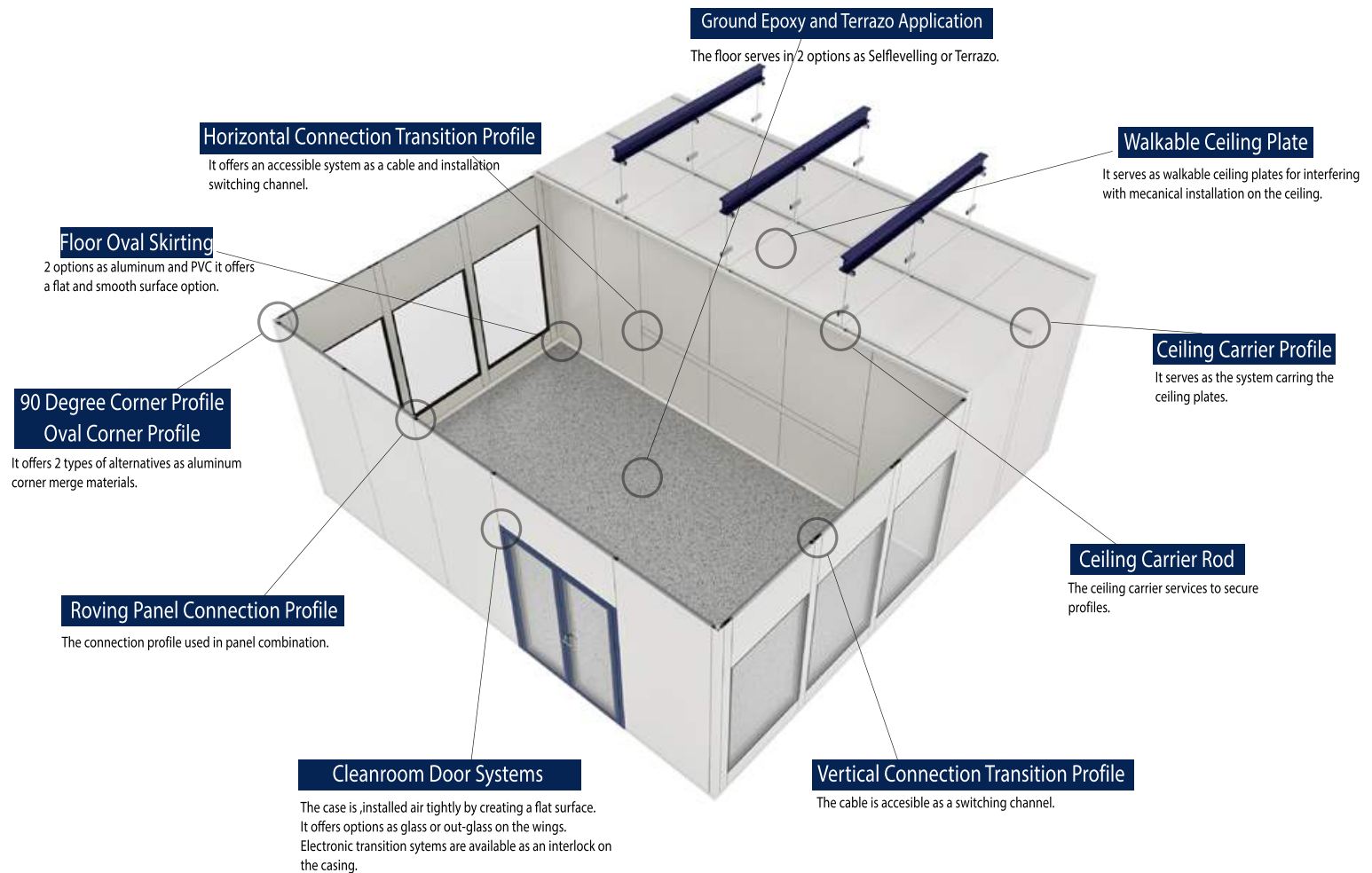
MODULAR CEILING SYSTEMS - WALKABLE CEILING SYSTEMS

SINGLE DOUBLE DOOR SYSTEMS - AUTOMATIC DOOR SYSTEMS

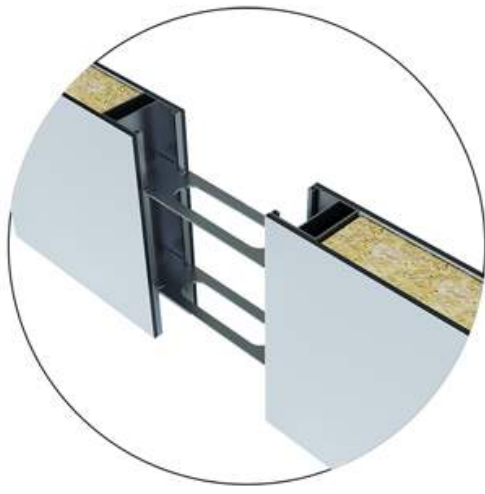
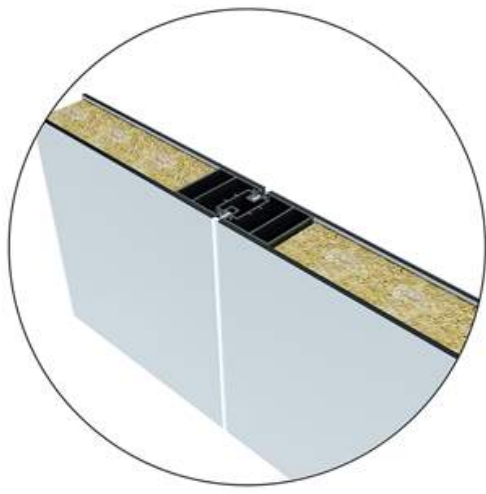
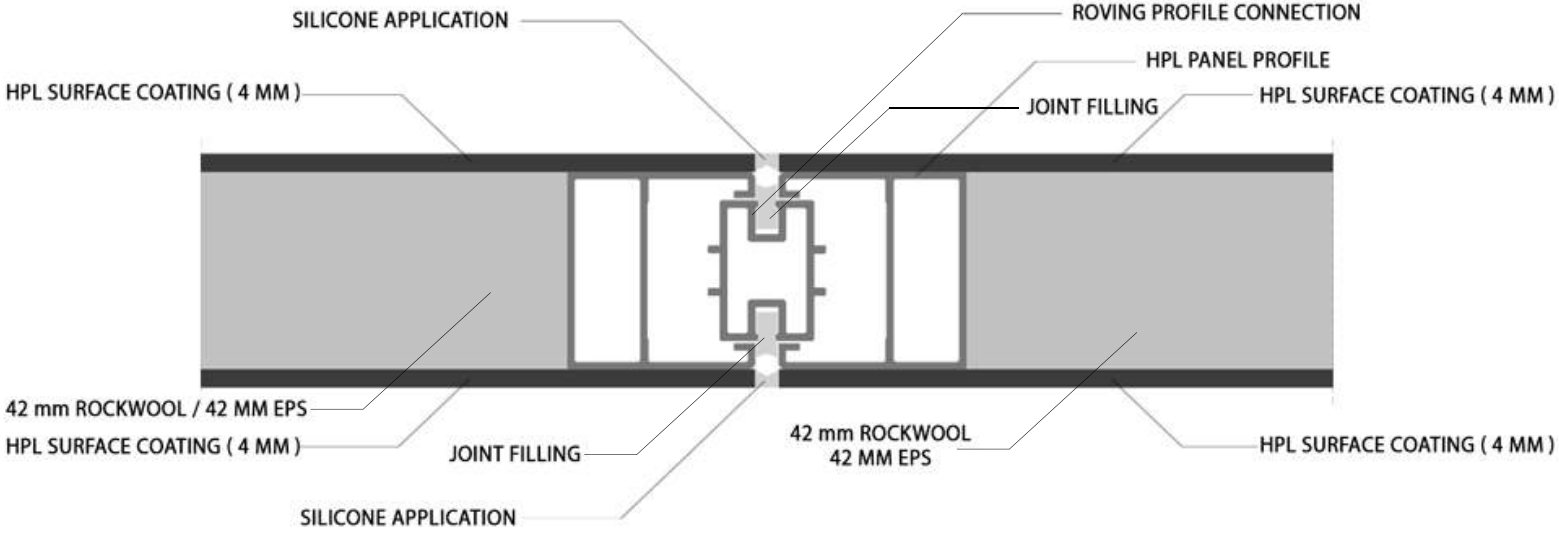
PASSBOX SYSTEMS - VERTICAL / HORIZONTAL PASS SYSTEMS

GROUND EPOXY APPLICATION - GROUND PHARMA TERRAZO APPLICATION

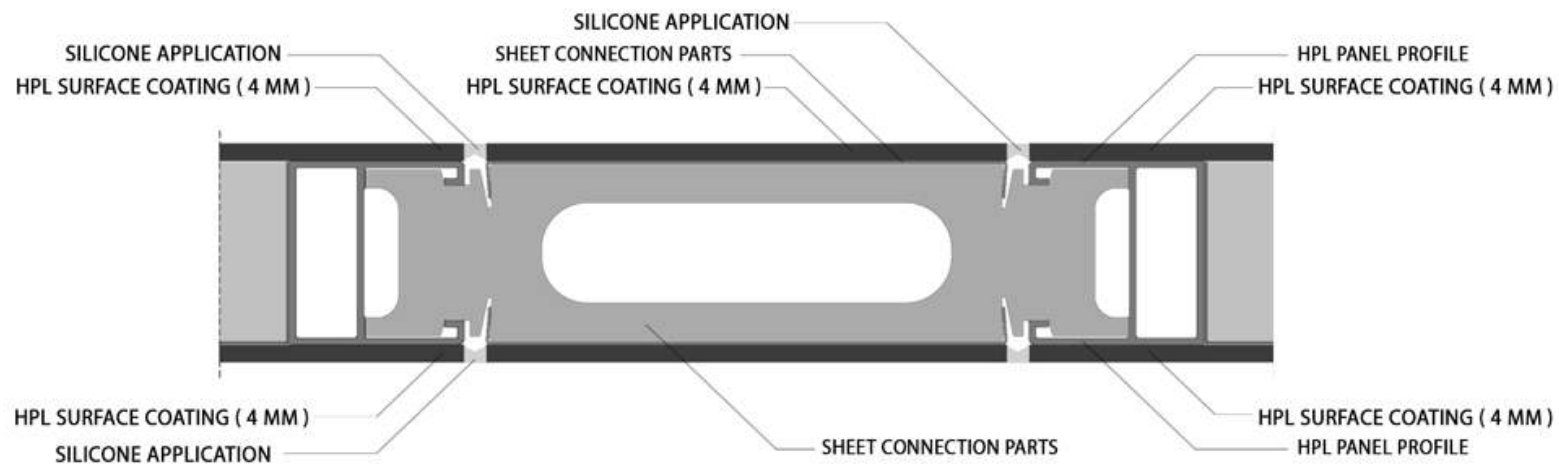
MODULAR SYSTEM COMBINING ELEMENTS- CONNECTION DETAIL PROFILES



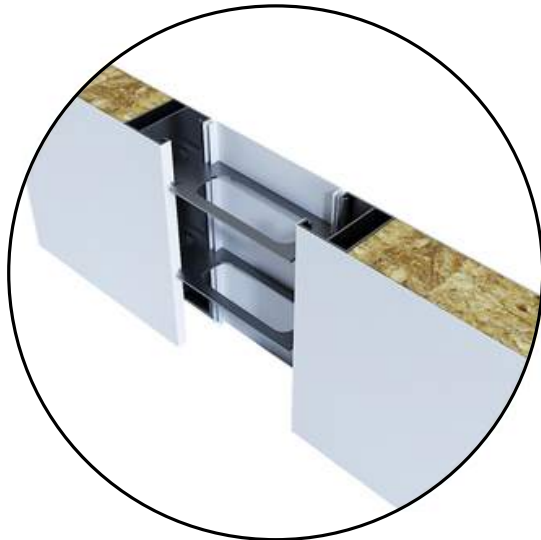
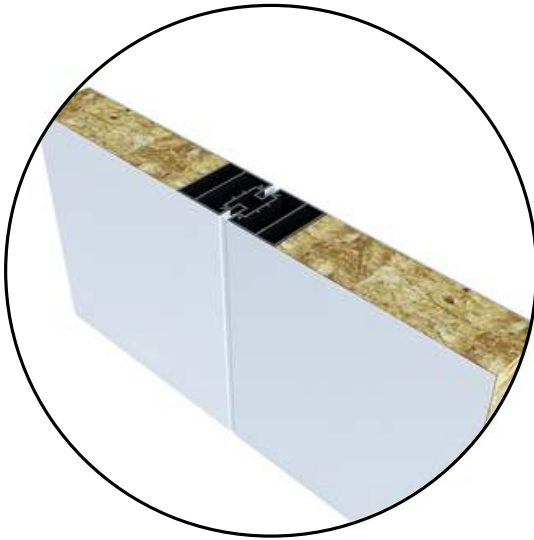
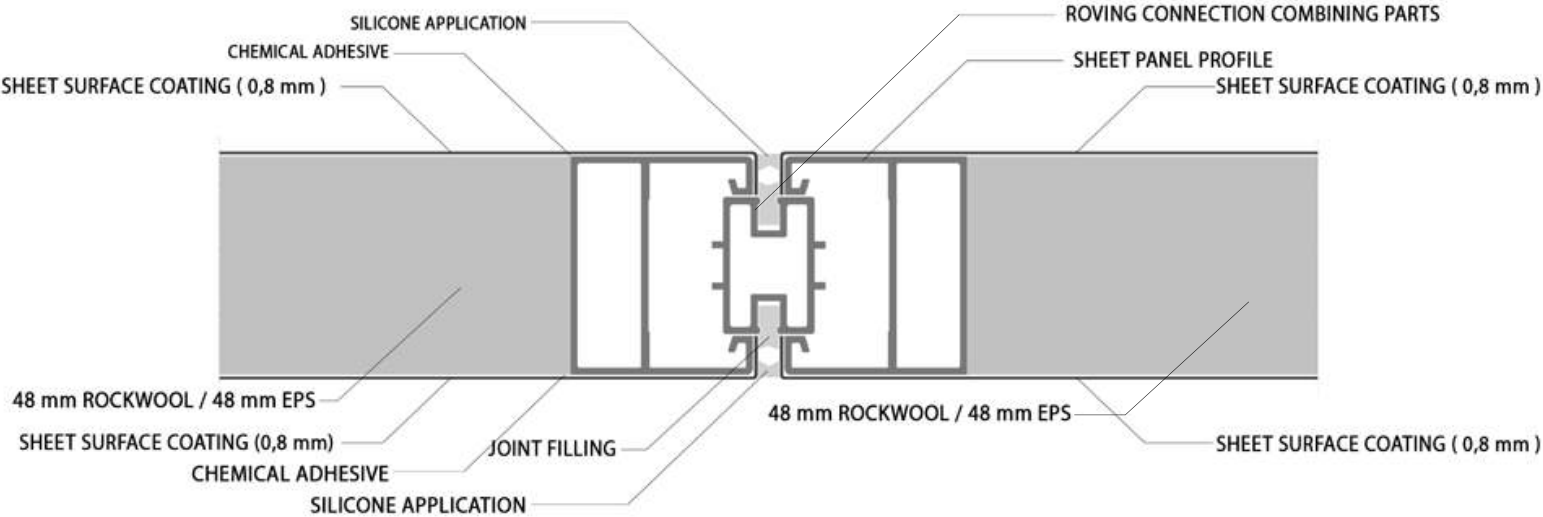
HPL PANEL / ROVING PROFILE / HPL PANEL



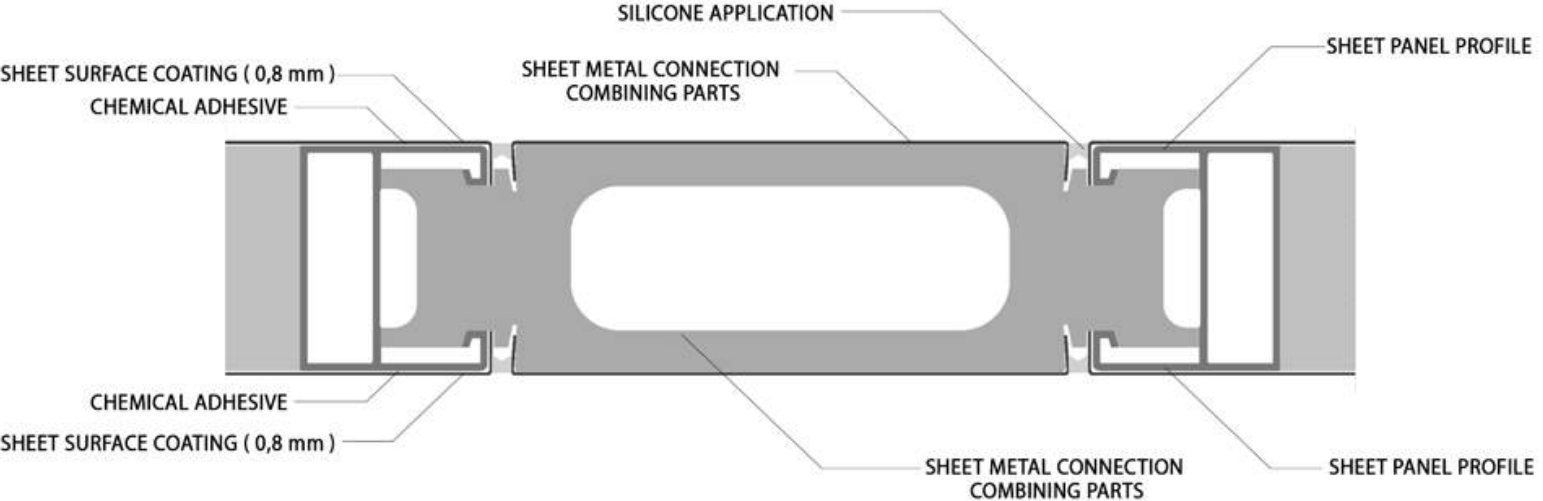
HPL PANEL / CAP / HPL PANEL



SHEET PANEL / ROVING PROFILE / SHEET PANEL

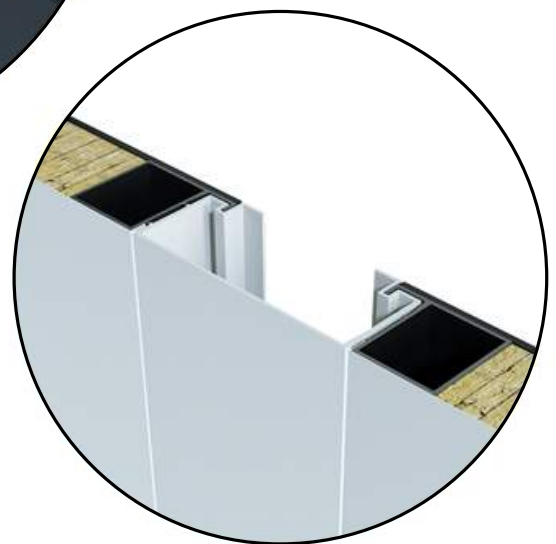
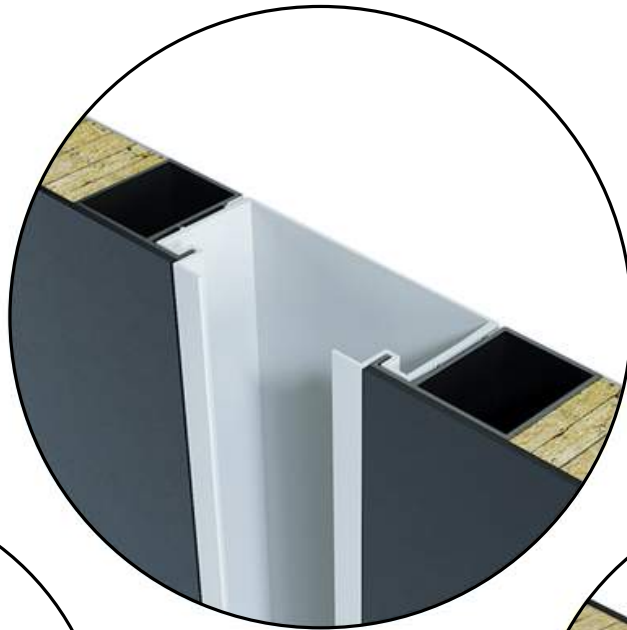
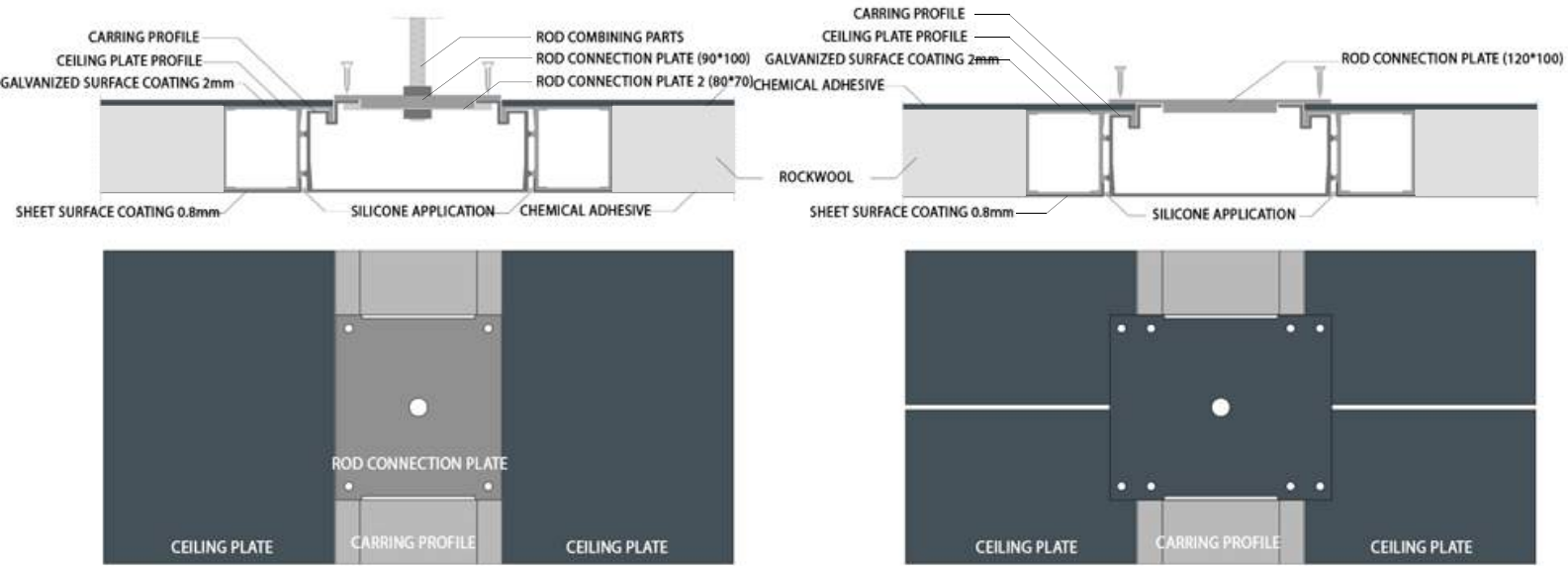


SHEET PANEL / CAP / SHEET PANEL

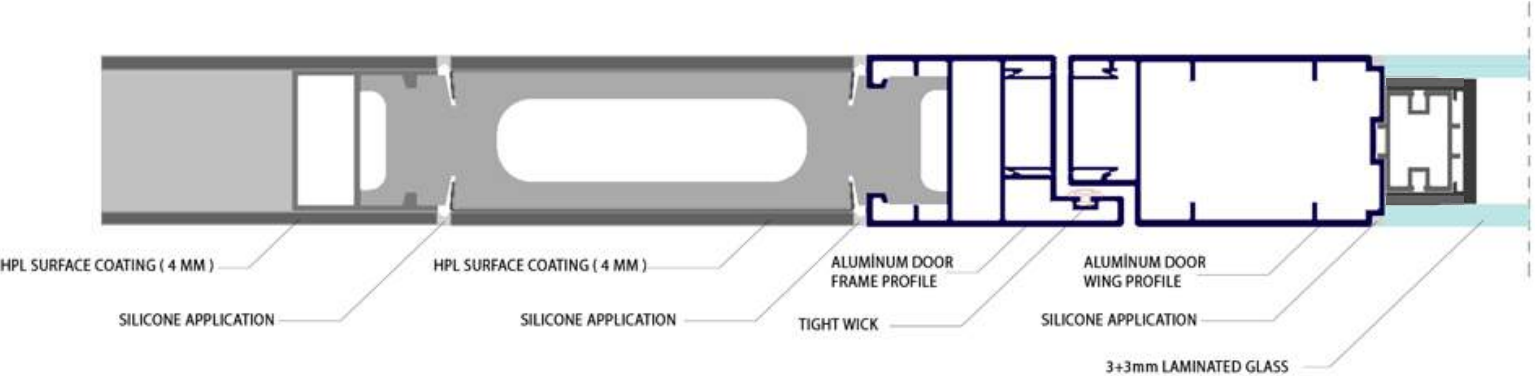


Walkable Modular Suspended Ceiling
Total Load Bearing Capacity

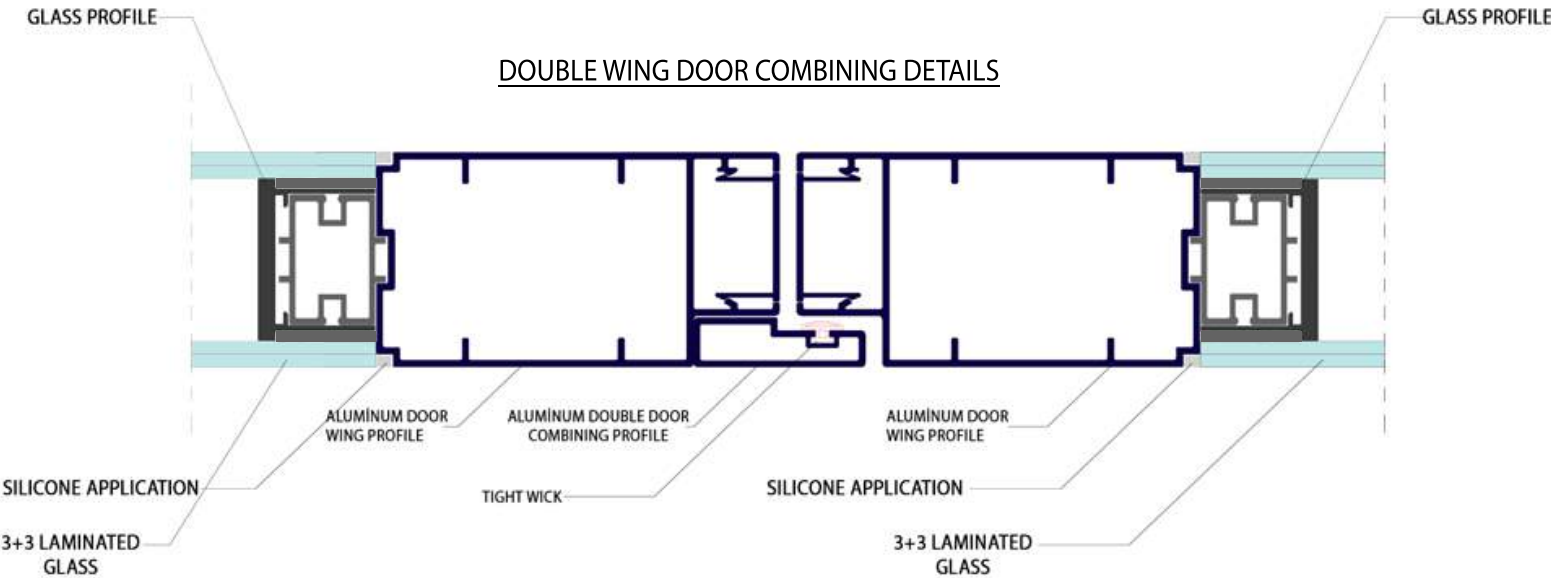
Kg 350 Kg

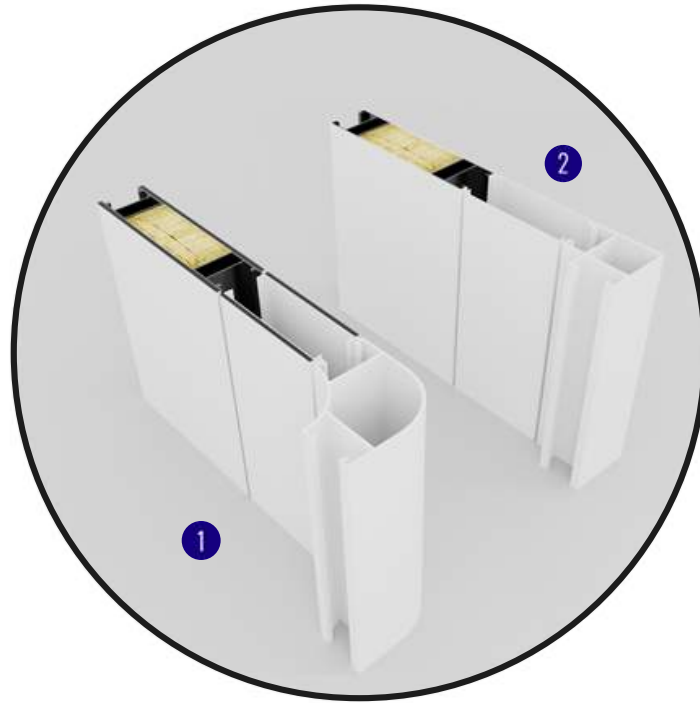


HPL PANEL / HPL CAP / PANEL DOOR WITH GLASS



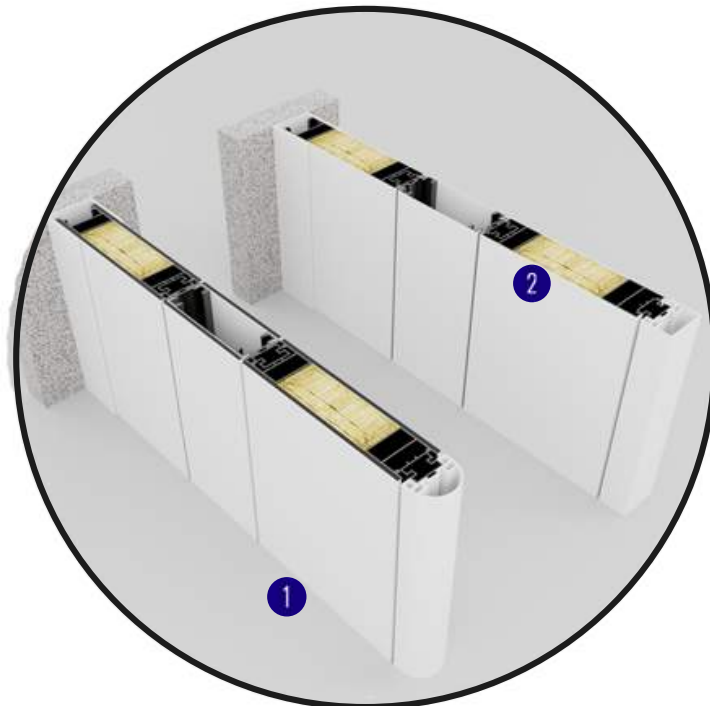
DOUBLE WING DOOR COMBINING DETAILS





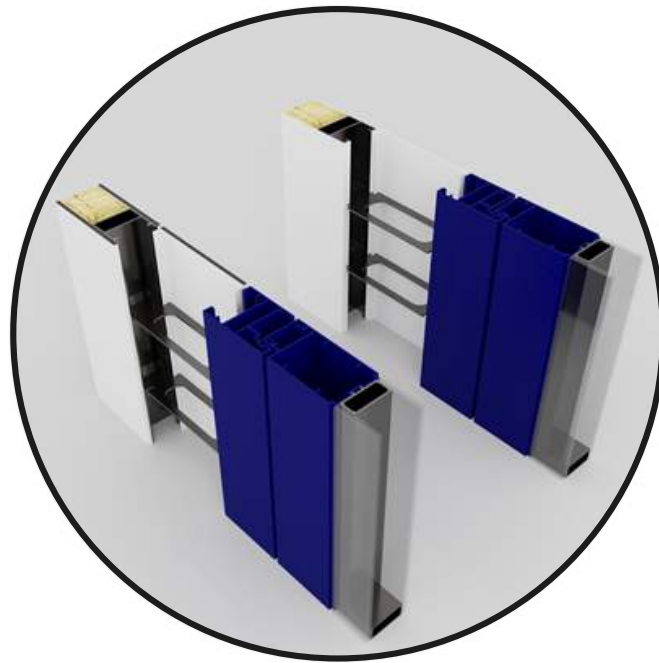
PANEL AND CORNER COMBINING DETAILS

- 1- HPL PANEL - HPL CAP - OVAL CORNER PROFILE
- 2- SHEET PANEL - SHEET CAP - SQUARE CORNER PROFILE



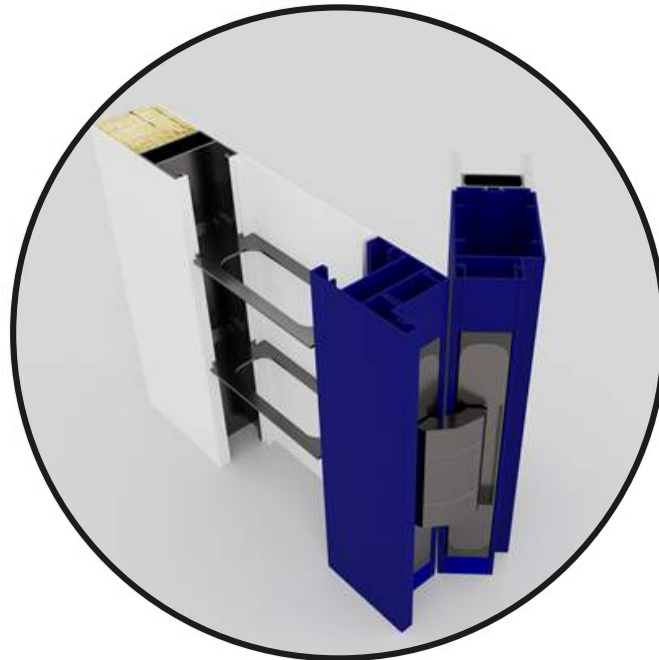
PANEL-WALL COMBINING DETAILS

- 1- ALUMINUM U PROFILE - HPL PANEL - HPL CAP - HPL PANEL - OVAL FINISH PROFILE
- 2- ALUMINUM U PROFILE - SHEET PANEL - SHEET CAP - SHEET PANEL - SQUARE FINISH PROFILE



HPL PANEL - DOOR AND SHEET PANEL - DOOR COMBINING DETAILS

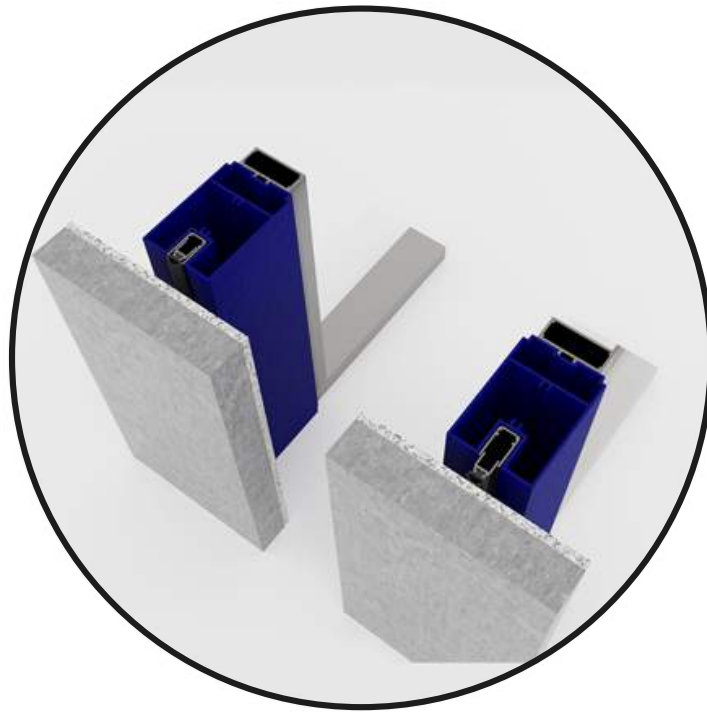
- 1- HPL PANEL - HPL CAP - PANEL DOOR
- 2- SHEET PANEL - SHEET CAP - PANEL DOOR



PANEL DOOR HIDDEN HINGE DETAILS

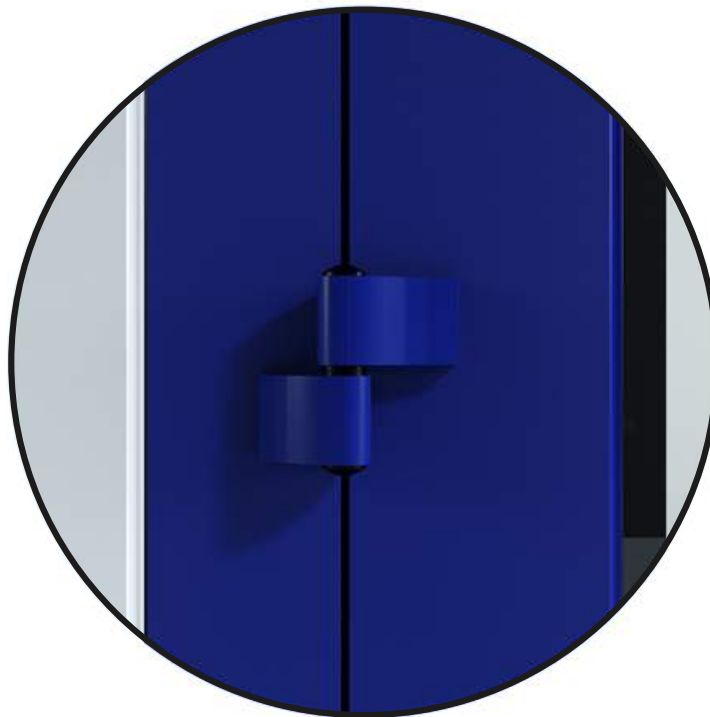
WITH THE DETAIL OF THE CAP BETWEEN THE PANEL AND THE DOOR, A CHANNEL IS CREATED FOR EASY INSTALLATION OF ELECTRICAL INSTALLATION OR OTHER LOCK SYSTEMS.

DEPENDING ON CUSTOMER REQUEST AND DIFFERENT ACCORDING TO DOOR DIMENSIONS, A HIDDEN HINGE IS USED TO CREATE A FLAT SURFACE.



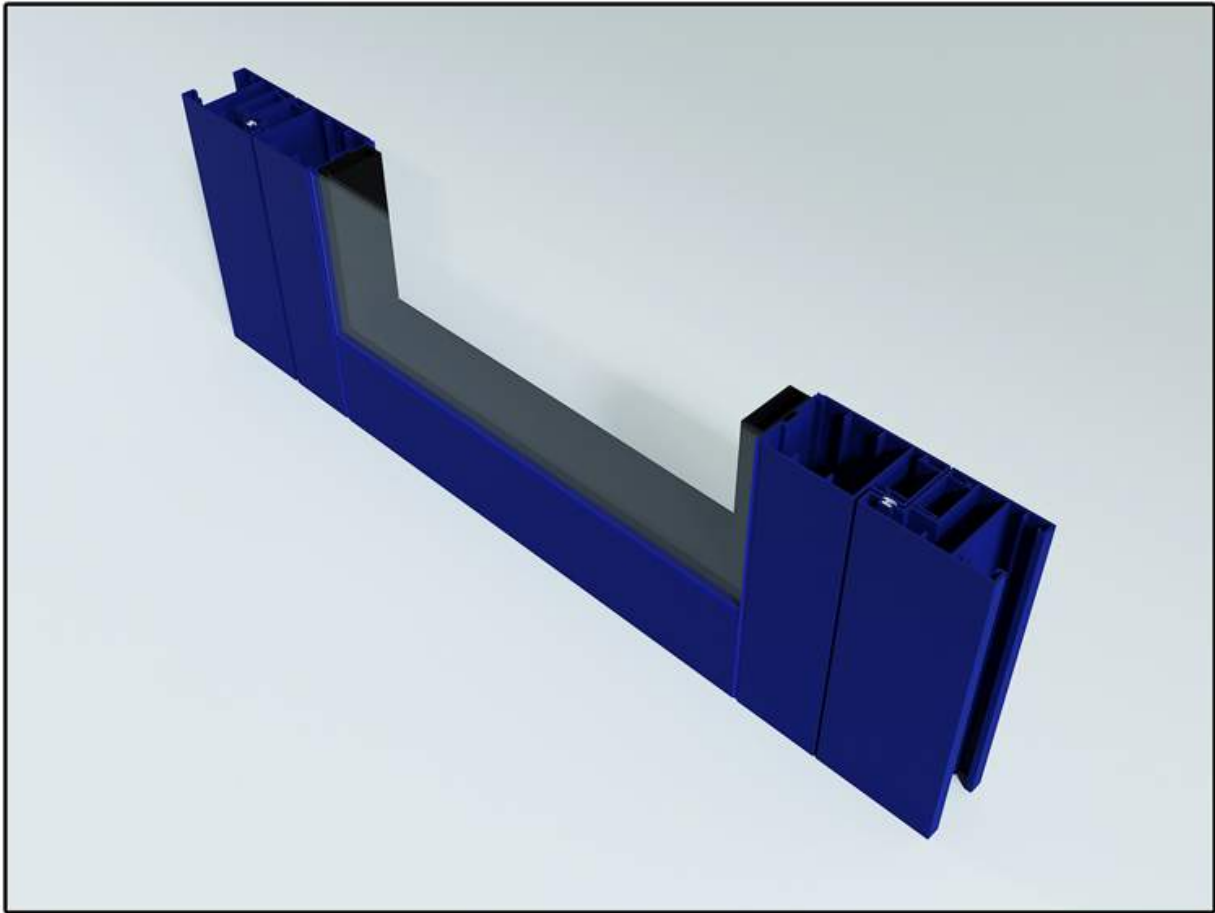
PANEL DOOR SKIRT PROFILE SEALING DETAIL

THE PANEL DOOR IS ACTIVE BY THE PRINTING METHOD WHEN THE LEAKING GUILLOTINE DOOR IS CLOSED IN THE CHANNEL CREATED IN THE SPECIALLY MANUFACTURED SKIRT PROFILE.



PANEL DOOR HINGE SYSTEMS

WITH THE HINGE USED ON THE SURFACE, THE DOOR SYSTEMS ARE USED IN A PRECISE MANNER.



PANEL DOOR

THE PANEL DOOR IS DESIGNED AS SEMI-HERMETIC AS A MODULAR SYSTEM.

THE DOOR IS PROVIDED THANKS TO THE LEAKAGE AND ANTIBACTERIAL WICK IN THE DETAIL OF THE DOOR AND THE GUILLOTINE UNDER THE DOOR.

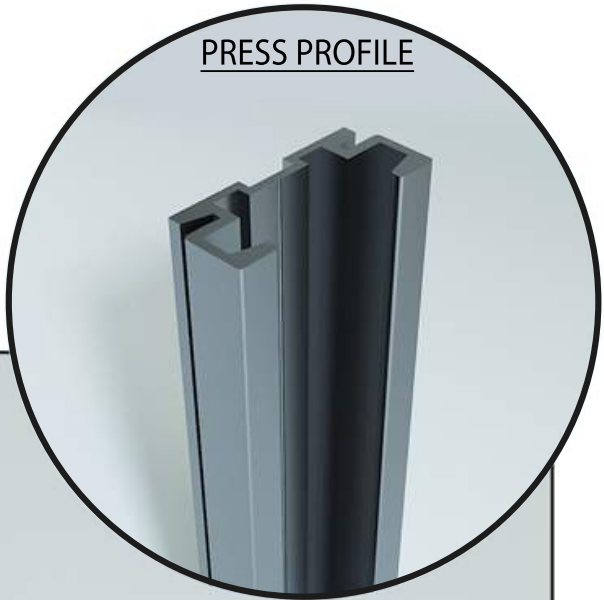


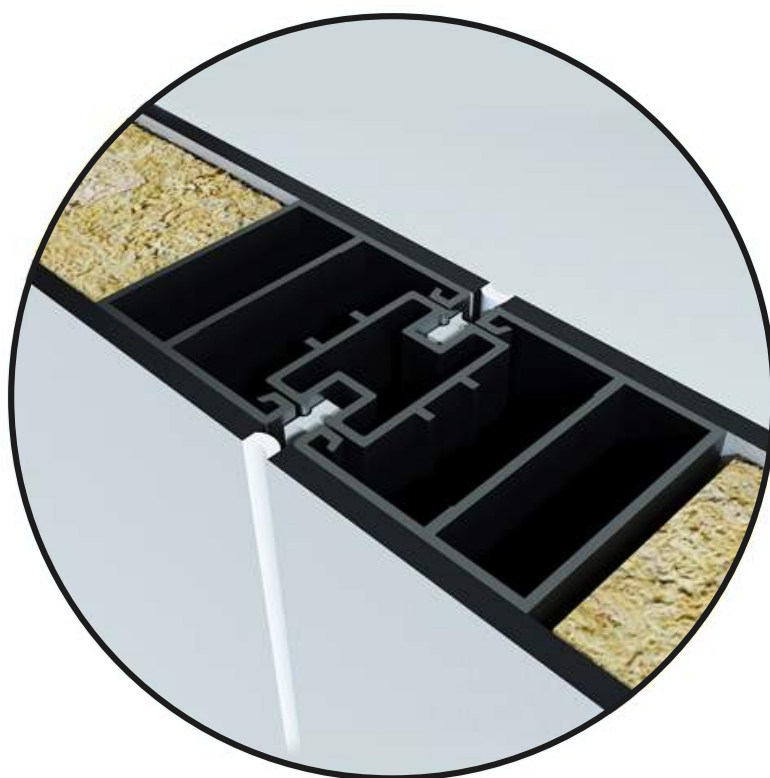
PANEL DOOR HIDDEN DOOR HYDRAULIC

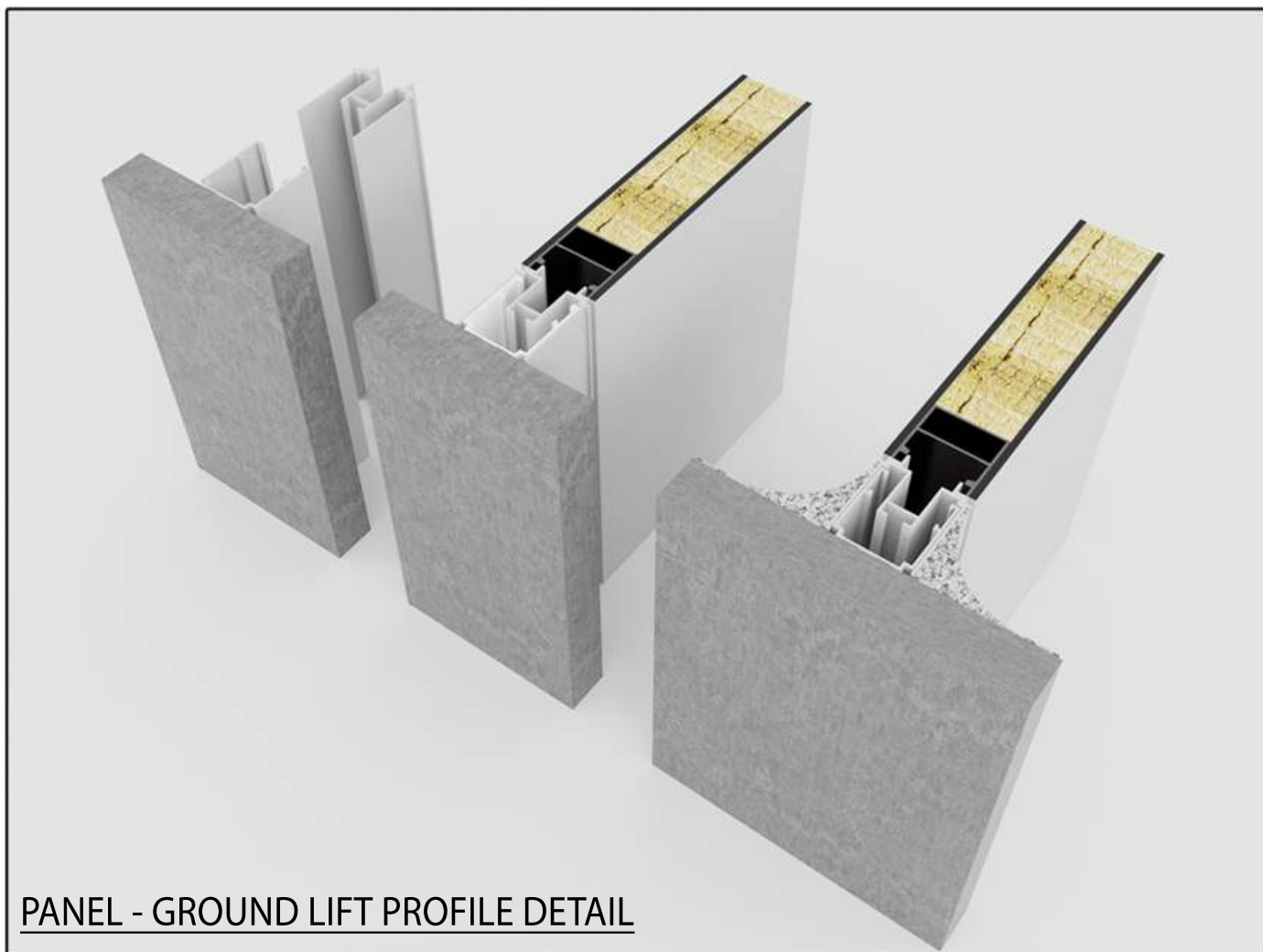


UNDER GLASS PANEL - GLASS PANEL

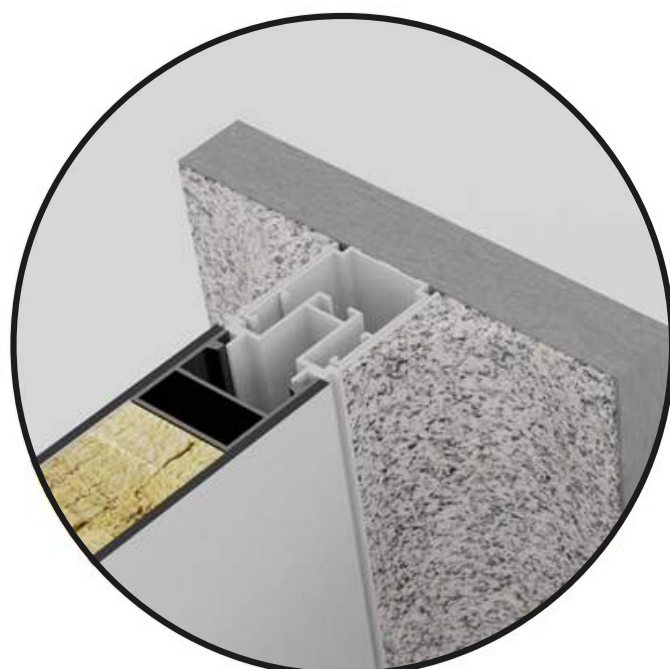
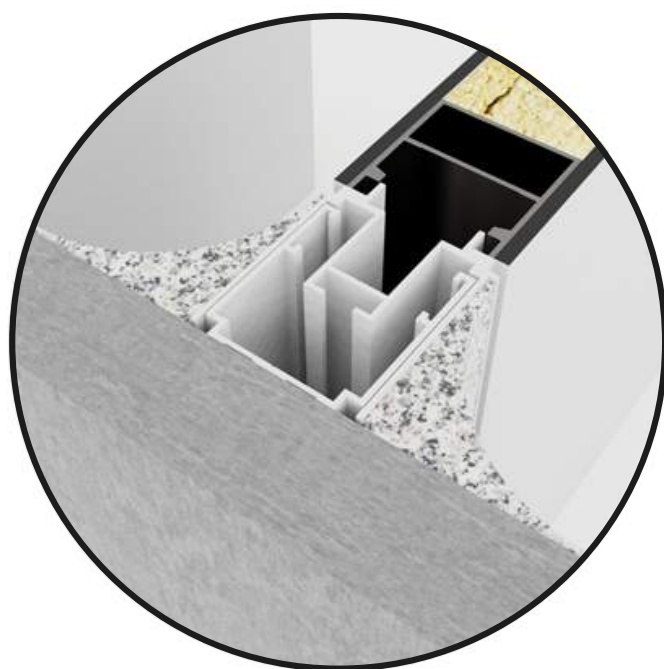
COMBINING DETAILS





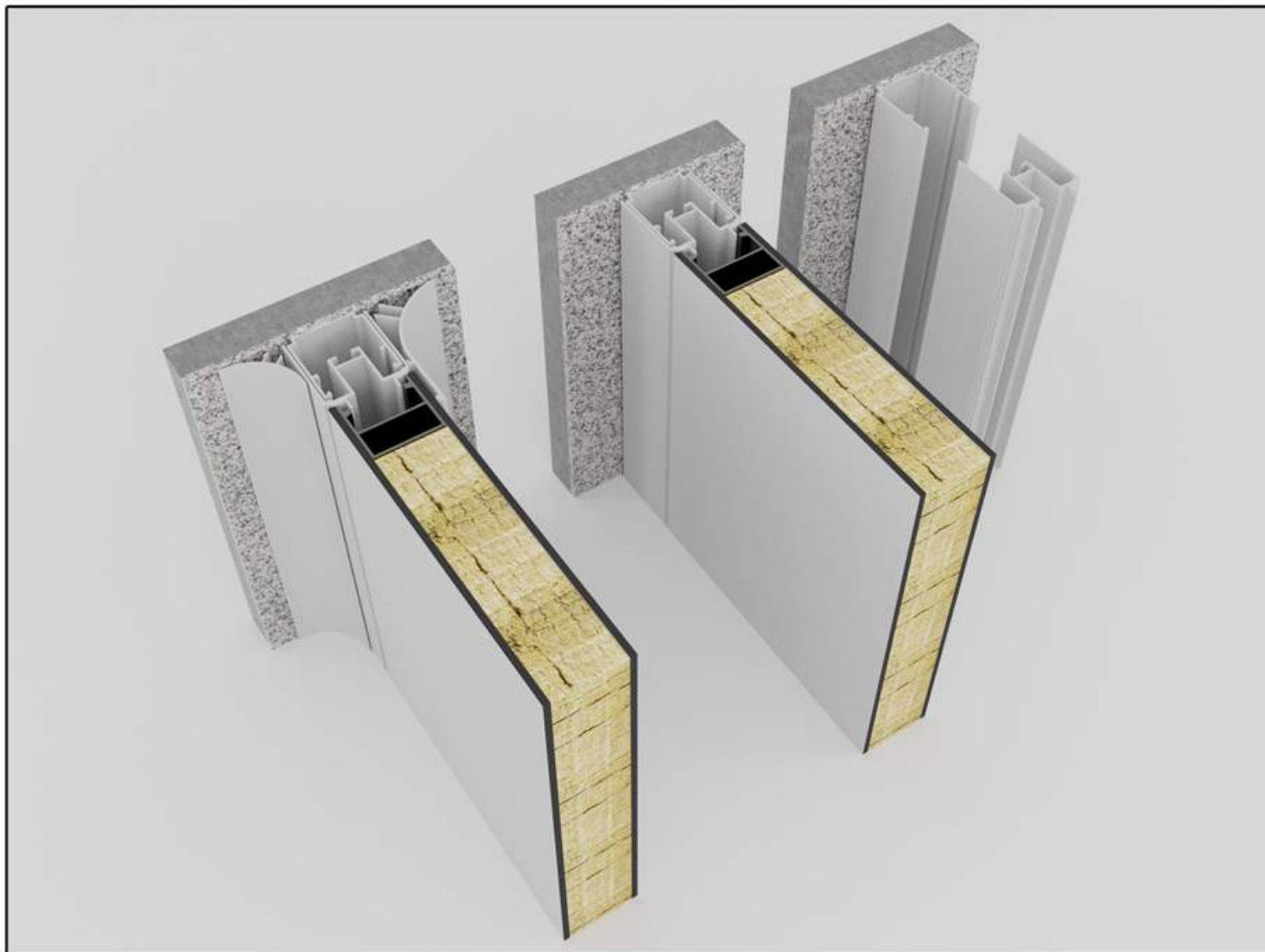


PANEL - GROUND LIFT PROFILE DETAIL



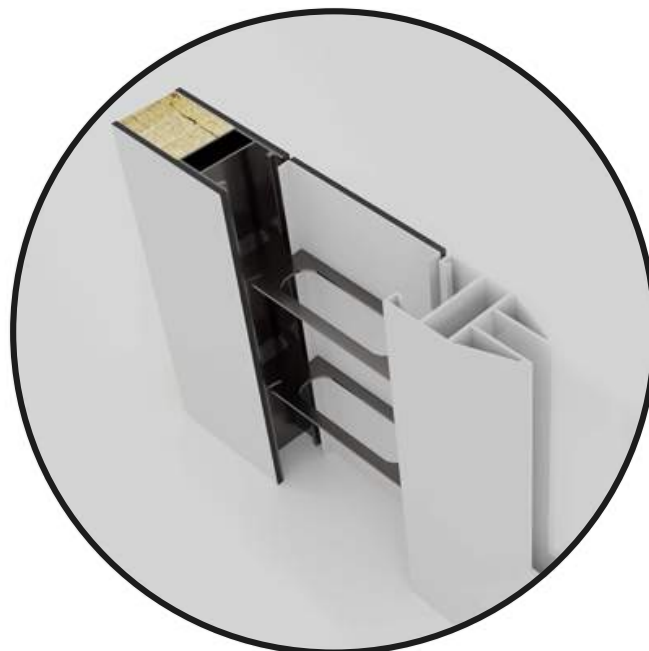
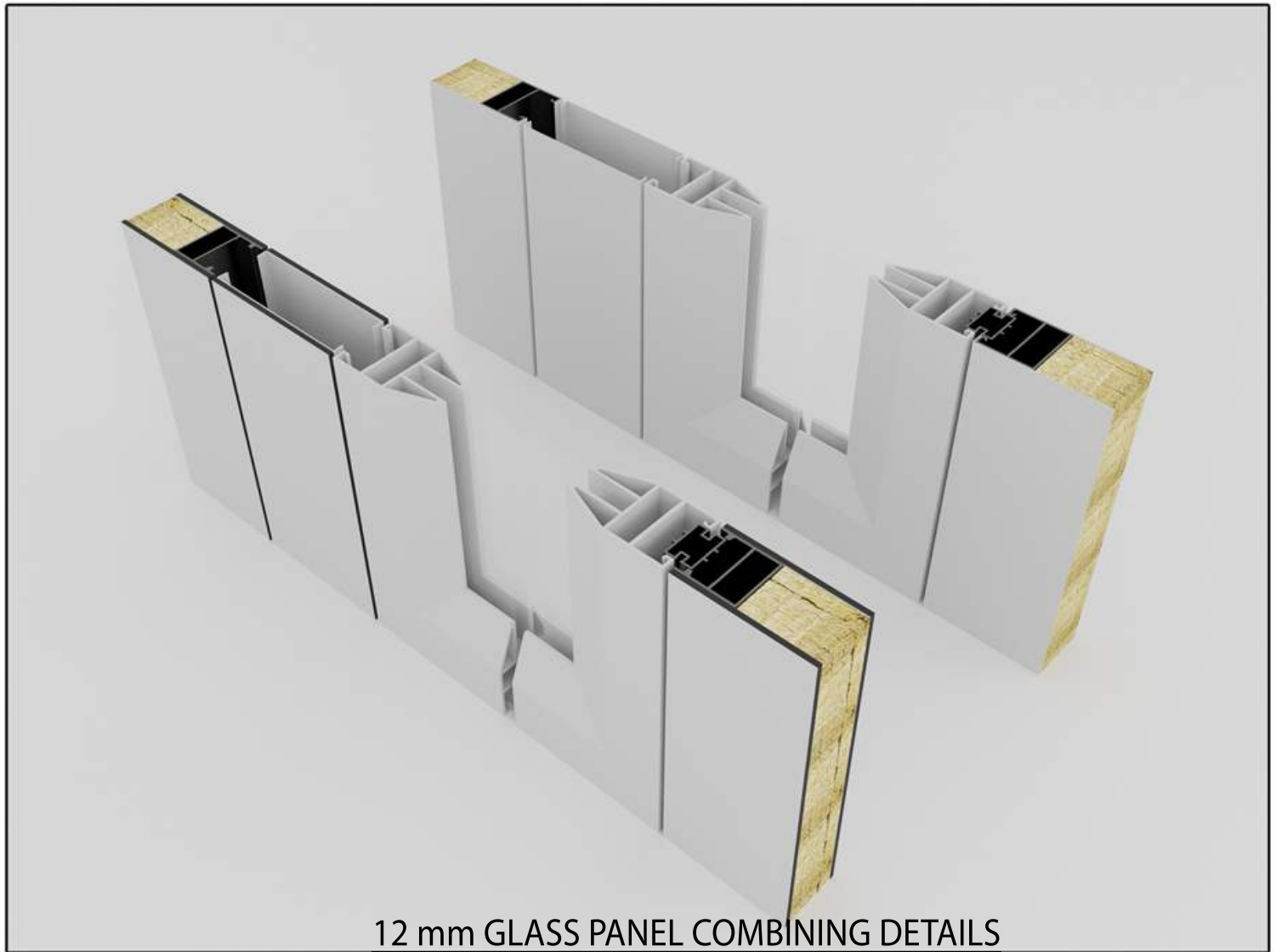
EPOXY PLINTH DETAIL

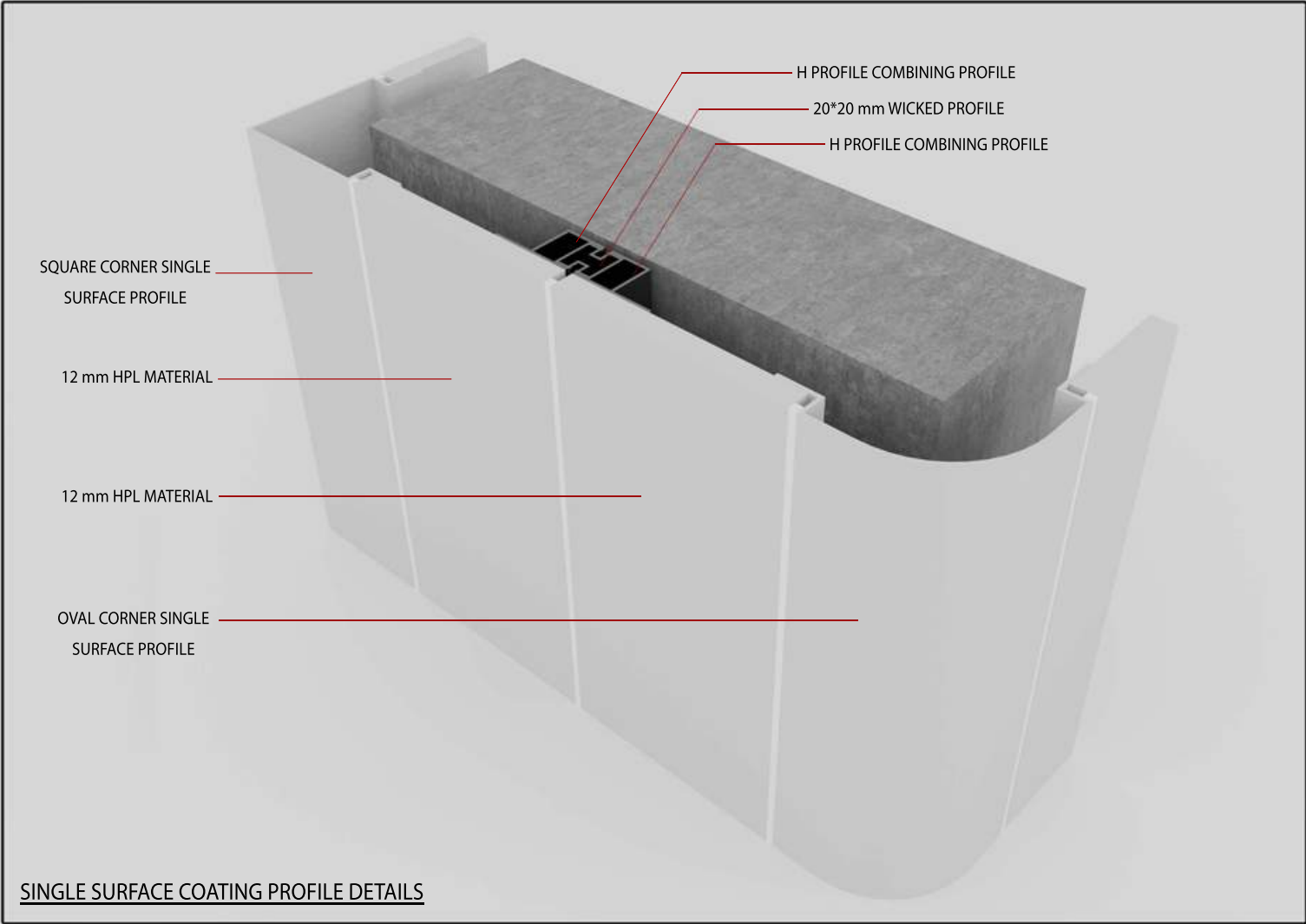
PANEL - GROUND LIFT PROFILE - PLINTH PROFILE DETAILS

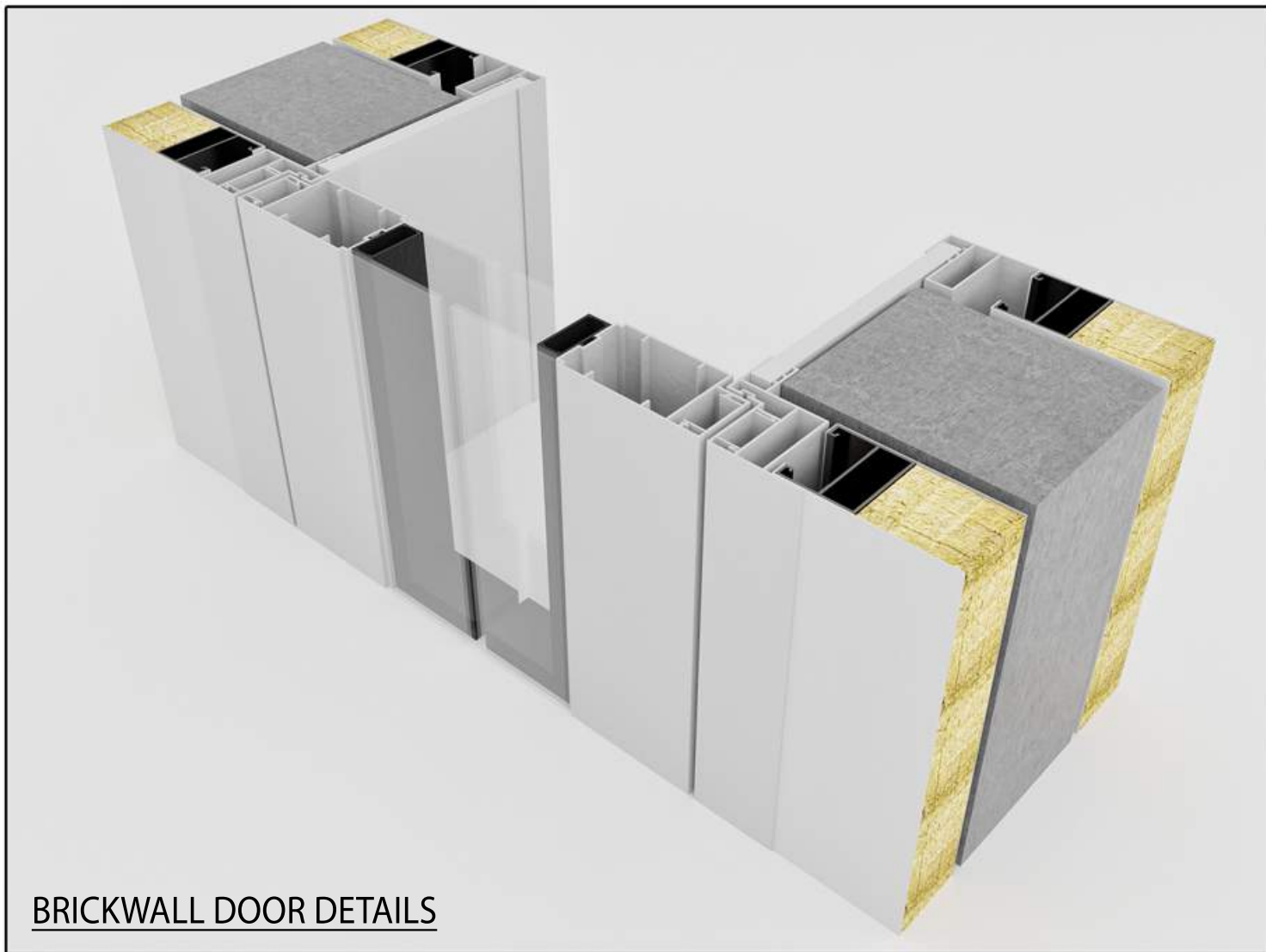


SHEET PANEL - SAC CAP - 12 mm GLASS PROFILE - WICKED PROFILE- SHEET PANEL

HPL PANEL - HPL CAP - 12 mm GLASS PROFILE- WICKED PROFILE - HPL PANEL







BRICKWALL DOOR DETAILS

